



TRADITION AND
INNOVATION SINCE 1954

ALWAYS A STRONG PARTNER

—————  KESSEBÖHMER —————

18.10.2021



INNOVATIVE SOLUTIONS – ACROSS THE GENERATIONS

DESIGN, QUALITY, COMFORT

—————  KESSEBÖHMER —————



FOR GENERATIONS, THE NAME KESSEBÖHMER HAS STOOD FOR INNOVATIVE SOLUTIONS – A STRONG BLEND OF DESIGN, FUNCTION AND QUALITY. Today Kesseböhmer remains a successful owner-managed company group.

Our core competence is in metal processing. We work with wire, sheet metal and tubing. Products are finished in our in-house electroplating and powder-coating facilities. Our strong customer orientation has helped us to build and maintain our position as the leading supplier of functional fittings for kitchen units.

Our well-designed products help end-users to keep storage space tidy and check all the contents at a glance. They help to make best use of space and make kitchen work more efficient. These benefits are strong selling points for kitchens. In addition, kitchen manufacturers and kitchen fitters profit from the ultra-easy assembly and adjustment of our pull-outs

and other fittings. More and more of our products use snap-on connections, so that they can be assembled without tools. The result is time savings and quality gains.

From the initial idea to final shipment, every step of the process is in-house – including developing and engineering production machinery and tooling. This is why we're so good at turning innovative ideas into products – quickly and successfully.

Fascinating functionality. Impressive design. Quality that sets standards.



DESIGN AND TECHNOLOGY VARIANTS

CONTENTS

 KESSEBÖHMER

Metal baskets, ARENA variants

From classic to contemporary –
our versatile tray variants



ARENA plus Anti-slip coating

Welcome to your
quiet kitchen

SoftSTOPP, SoftSTOPPplus, SoftSTOPPpro

For gentle braking and
silent closing



eTouch

Multifunctional, innovative,
intuitive and retrofittable

Synchromatic

The new standard for reliable
functionality day in, day out



ClickFixx

For quick and easy assembly

Quality

We are absolutely committed to
supplying high quality products. We
want you to enjoy using them
throughout their long service lives.







FROM CLASSIC TO CONTEMPORARY

OUR VERSATILE TRAY VARIANTS

 KESSEBÖHMER

PEOPLE CHOOSING A NEW KITCHEN SET A HIGH PRIORITY ON ATTRACTIVE DESIGN – ALSO FOR THE INTERIOR FITTINGS – AS AN IMPORTANT PURCHASE CRITERION. This means that function and optics should blend in a homogenous whole, the interior fittings must harmonize with the overall kitchen design.

Our design variants ARENA classic, ARENA style and ARENA pure, metal trays/baskets are used in all our larder pull-outs, and in corner and base units. All ARENA variants combine optimal functionality and attractive design with maximum space utilization – thanks to the railing being attached to the outer edge of the tray.

METAL BASKETS

ROBUST, HIGH-VISIBILITY STORAGE

 KESSEBÖHMER



KESSEBÖHMER METAL BASKETS STILL COUNT AMONG THE TRUE DESIGN CLASSICS. THEY HAVE TWO BIG ADVANTAGES – THEY'RE ROBUST, AND BASKET CONTENTS ARE CLEARLY VISIBLE. In-house electroplating or powder coating gives the metal baskets a surface finish that communicates incomparable Kesseböhmer processing quality.

ARENA classic

CLASSIC DESIGN FOR CONTEMPORARY KITCHENS

 KESSEBÖHMER



**THE FORMS AND MATERIALS OF ARENA CLASSIC TRAYS
ADD VALUE TO EVERY KITCHEN FROM THE INSIDE OUT.**

The elegant railing is bonded seamlessly with the wood bottom panel and enhances both round and rectangular trays. The railing is attached at the outer edge of the tray so that the entire tray is available for storage and no space is wasted.

ARENA style

FINE DESIGN AND PERFECT WORKMANSHIP

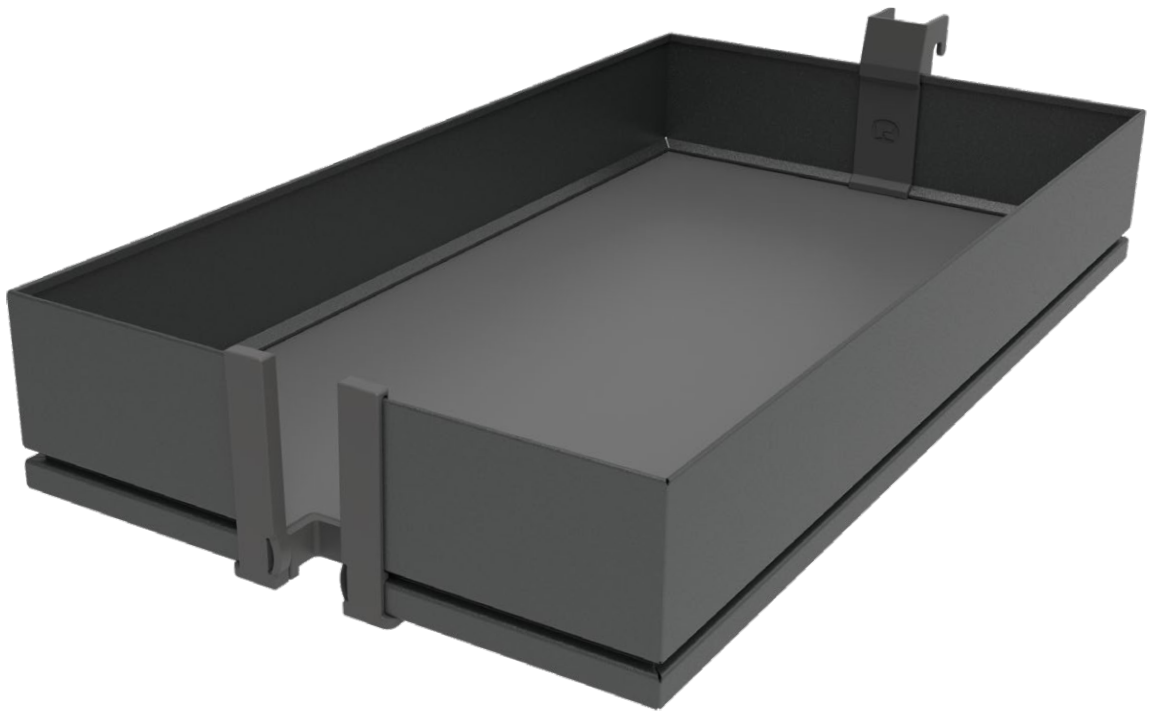
 KESSEBÖHMER



reddot design award



THIS CONTEMPORARY DESIGN FEATURES A STREAMLINED RAILING MADE OF METAL BANDS AROUND THE BOTTOM PANEL. The clear, straight lines harmonize especially well with contemporary kitchens and add value from the inside out. International recognition, for example the red dot design award, underline the outstanding design.



THE NAME ARENA PURE SAYS IT ALL: the puristic, self-contained design of the new tray in the ARENA family is the perfect accompaniment to linear and contemporary yet homely kitchen architecture and the trend towards minimalistic frame designs.

The railing height corresponds to that in the ARENA-style tray to create the perfect frame for the storage items. The powder-coated aluminium railing promises effortlessness alongside Kesseböhmer's consistently high standards for load-bearing capacity thanks to the tried-and-tested ARENA adhesive technology between the wooden base and metal railing.

ARENA plus anti-slip coating

WELCOME TO YOUR
QUIET KITCHEN

—  KESSEBÖHMER —



KESSEBÖHMER'S SPECIAL ARENAPLUS COATING prevents pots and pans, crockery and groceries slipping and sliding when a pull-out is opened or a carousel turned.

ARENAplus







SoftSTOPP, SoftSTOPPplus & SoftSTOPPpro

FOR GENTLE BRAKING AND SILENT CLOSING

—  KESSEBÖHMER —



**SoftSTOPP, SoftSTOPplus & SoftSTOPpro
IS THE BEST COMBINATION AS A HIGH-
PERFORMANCE DAMPING SYSTEM FOR
CABINETS DESIGNED TO TAKE HIGH LOADS.**

The SoftSTOPP range harmonizes movement sequences.

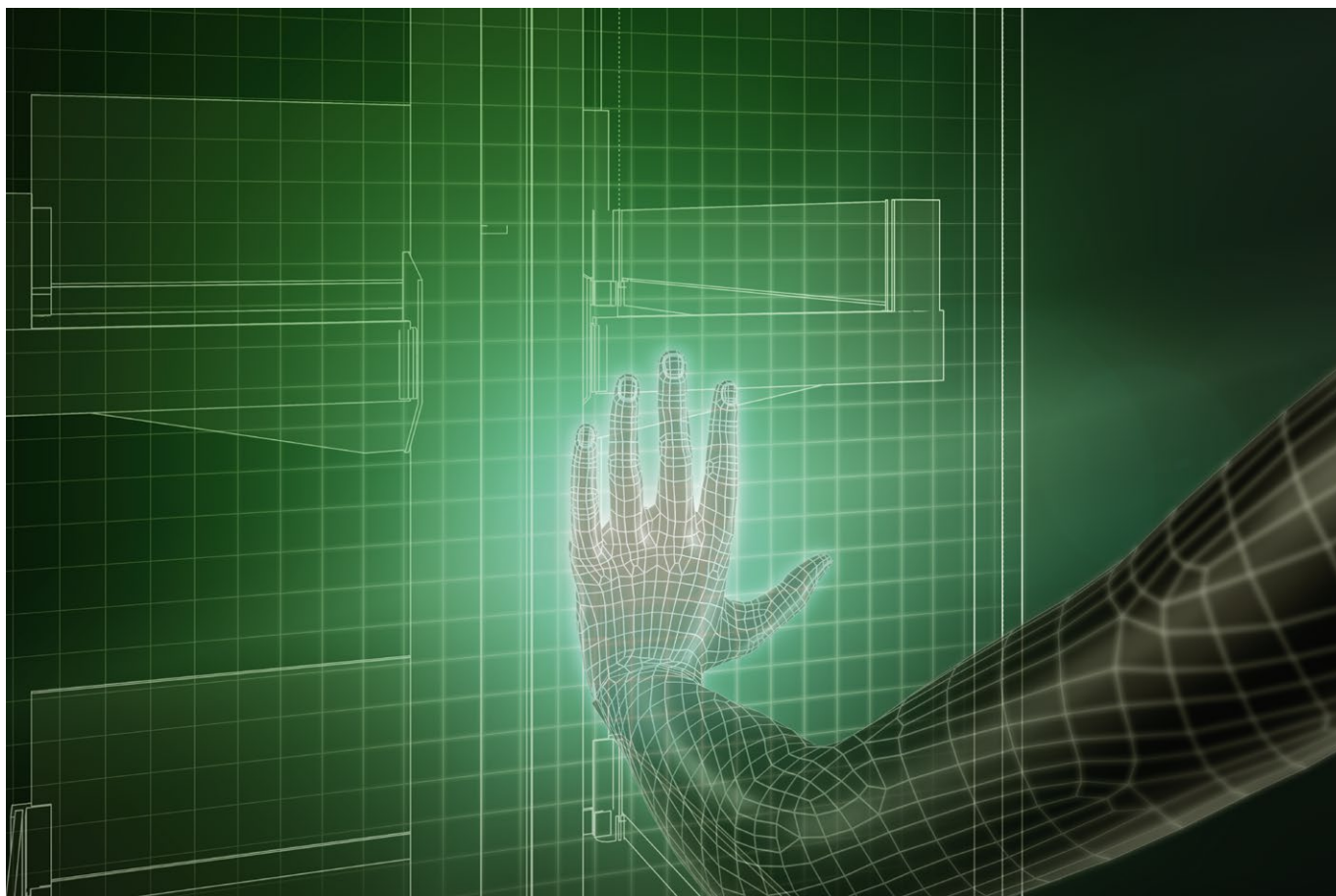
SoftSTOPP delivers damped closing.

SoftSTOPplus delivers damped closing plus self-closing.

SoftSTOPpro delivers damped opening.







eTouch

ELECTRONIC MOTION SUPPORT INTUITIVE AND RETROFITTABLE

 KESSEBÖHMER

eTouch OPENS UP CUPBOARDS – AND NEW POTENTIAL. IT'S NEVER BEEN SO EASY AND ELEGANT TO OPEN STORAGE UNITS! Gentle pressure anywhere on the front panel – use your hand or even your elbow or knee – starts the fully automatic opening sequence. In any storage unit – from tall cabinet to wall unit eTouch operates smoothly with the proven Kesseböhmer pull-out and lifter technology. That's why it's also quick and straightforward to retrofit.

Depending on the fitting, the cabinets can not only be opened but also closed!

In addition to big gains in convenience and user-friendliness, eTouch offers new potential for kitchen planners. No-handle cupboards that open automatically and effortlessly are right in line with the trend for streamlined kitchen designs and smooth runs of kitchen fronts. But above all, eTouch makes kitchen work far easier day in, day out.



Synchromatic

THE NEW STANDARD FOR RELIABLE FUNCTIONALITY
DAY IN, DAY OUT

 KESSEBÖHMER

THIS INNOVATIVE SYNCHRONIZATION SYSTEM

makes sure that the runner segments always automatically line up in "zero" position – regardless of how often and how far the pull-out is opened. This guarantees perfect closing every time.





Your benefits in brief:

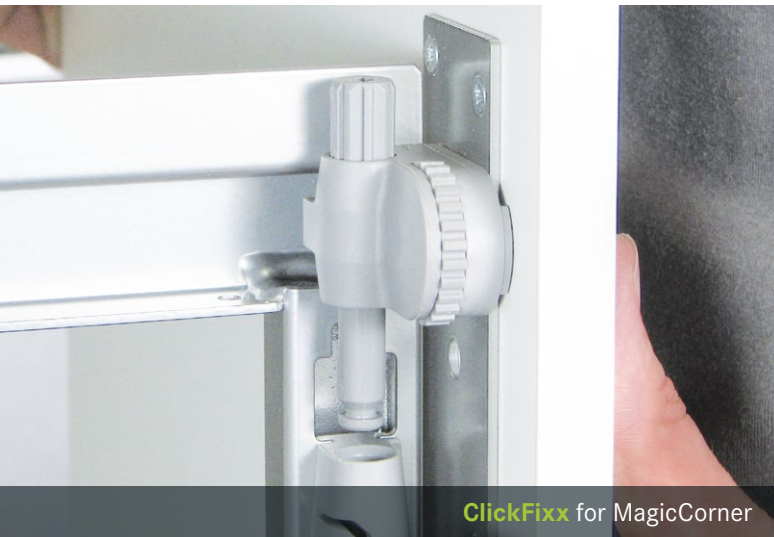
- More reliable operation and ease-of-use in the kitchen



ClickFixx for DISPENSA



ClickFixx for CONVOY



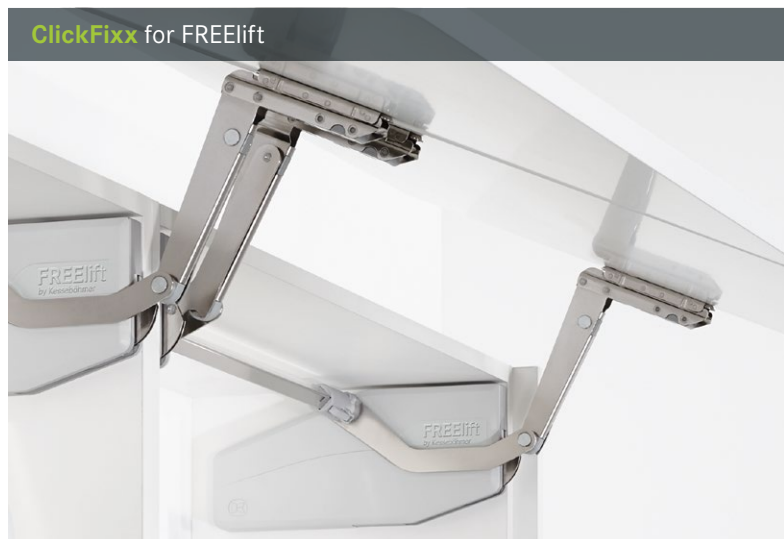
ClickFixx for MagicCorner



ClickFixx for LeMans II



ClickFixx for REVO 90°



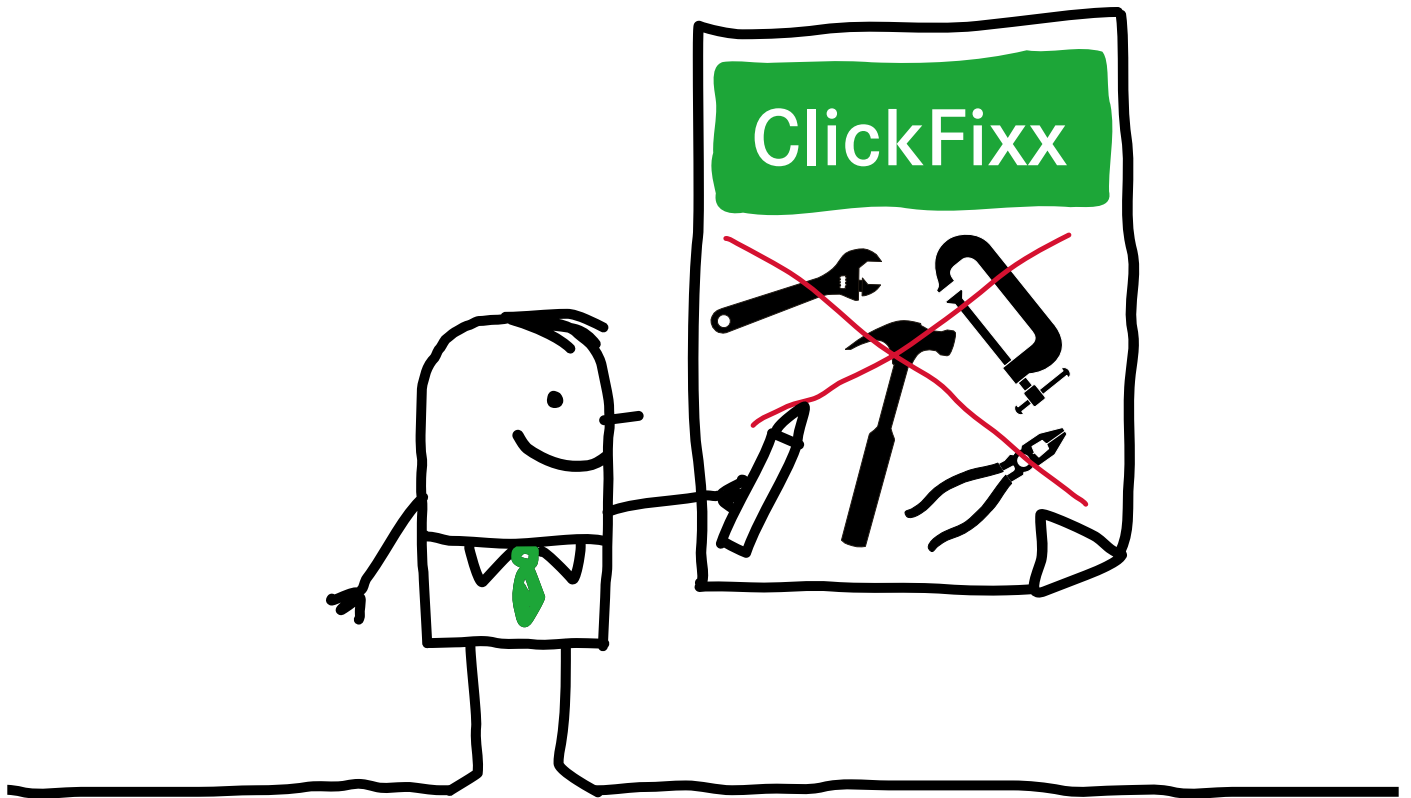
ClickFixx for FREELIFT



ClickFixx for DISPENSA junior III



ClickFixx for No.15



ClickFixx

QUICK AND EASY ASSEMBLY

 KESSEBÖHMER

IT'S SIMPLY FASTER! The new ClickFixx system for all storage units cuts assembly time and guarantees a high fitting standard. Both the front panel and the support frame connector are clipped on in a fast, toolless process! And then all it takes is a screwdriver for gap adjustment.



**QUALITY
WE ARE ABSOLUTELY COMMITTED
TO SUPPLYING HIGH QUALITY PRODUCTS.**

We want you to enjoy using them throughout their long service lives. This is why we subject them to exhaustive quality, endurance and safety tests. We achieve high and lasting quality through strict quality management with continuous monitoring and testing. The effective forces, tight manufacturing tolerances and movement distances are all sensor checked; the spring forces generated in the fittings are monitored to ensure that the high-precision movement sequences and dimensional accuracy in the adjustment range are maintained within tight tolerances. Only then are we satisfied and sure that our products will deliver what we have promised.

Our manufacturing processes are certified to demonstrate that we can meet product specifications. We set a high priority on durable, high quality materials and on high precision processing during our manufacturing processes. Samples from each batch are subjected to endurance tests. In addition, we use continuous camera-based process monitoring and maintain high occupational safety standards for our employees.

Our R&D engineers use the most advanced technical design aids and develop products that will be manufactured using the latest process technologies. The highest level of user-friendliness and convenience is a very high priority from the start. It's an ongoing challenge for us to combine outstanding engineering with elegant, aesthetically pleasing design. And we're naturally delighted if this symbiosis wins us awards.



FREEfit
by Kesseböhmer



STORAGE FITTINGS FOR TALL CABINETS

CONTENTS



CONVOY Centro

Tall cabinet pull-out
for 30-cm to 45-cm cabinets



CONVOY Lavido

Tall cabinet pull-out
for 45-cm to 60-cm cabinets

CONVOY Premio

Tall cabinet pull-out
for 60-cm cabinets



ARENA select for CONVOY

Define your own style –
with individual design and
functional features

DISPENSA 90°

Tall cabinet pull-out
for 15-cm to 60-cm cabinets



TANDEM I

Intelligent pull-out technology
for 45-cm to 60-cm tall cabinets

TANDEM side

Modular door shelf
for maximum flexibility



TANDEM II

Modular food storage cabinet
for 45–60 cm units

YOUBOXX FOR TANDEM SIDE AND TANDEM II

Optimal internal organisation

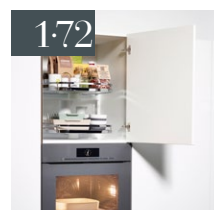


TANDEM solo

Affordable storage with
basic functionality

TANDEM diagonal

The practical final touch
for a row of tall cabinets



TurnMotion II

All-round, effortless access
for storage space



Technical Support

Short-URL:
<https://kbgo.to/supe>



Product Information

Short-URL:
<https://kbgo.to/01e>





MIXED DOUBLE

REFRIGERATOR PAIRED WITH CENTRAL STORAGE

— KESSEBÖHMER —

THE KESSEBÖHMER CONVOY PULL-OUT HAS THE SPACE TO STORE ALL A HOUSEHOLD'S GROCERIES IN ONE CENTRAL UNIT WITH A VERY SMALL FOOTPRINT. And with only one hand movement, all foods are completely conveyed out of the cupboard – for the best overview from two or even three sides and faster access to the stored foods. This simplifies kitchen work, saves time and effort, helps you plan your food storage and have everything within easy reach. Together, fridge and CONVOY create a food storage centre for your home. It's available **24 hours a day – 7 days a week.**



PLUS X AWARD®



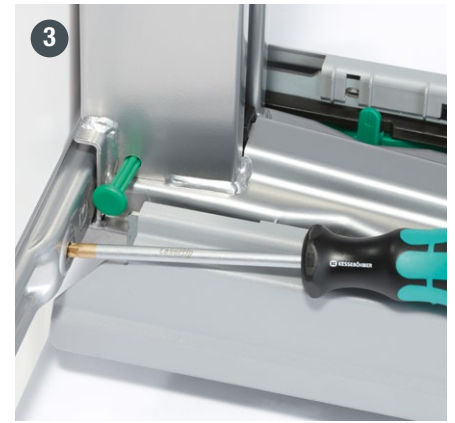


Tray height is steplessly adjustable – no tools required.

THERE ARE MANY REASONS FOR CHOOSING CONVOY – HERE ARE SOME OF THE MAIN ONES:

- 1 Top runner concealed by the tray. The redesigned runner connections mean more choice with fewer variants.
- 2 Straightforward loading and unloading from the front and side.
- 3 Easy, stepless height adjustment for the trays – no tools required.
- 4 All the household groceries can be stored in just one unit.
- 5 Quiet – damping is standard. The automatic closing mechanism has been optimized for CONVOY. The silent storage unit!
- 6 Improved smooth action. A new runner system ensures CONVOY glides even more softly out of the cabinet.





Precision adjustment

FAST AND ACCURATE

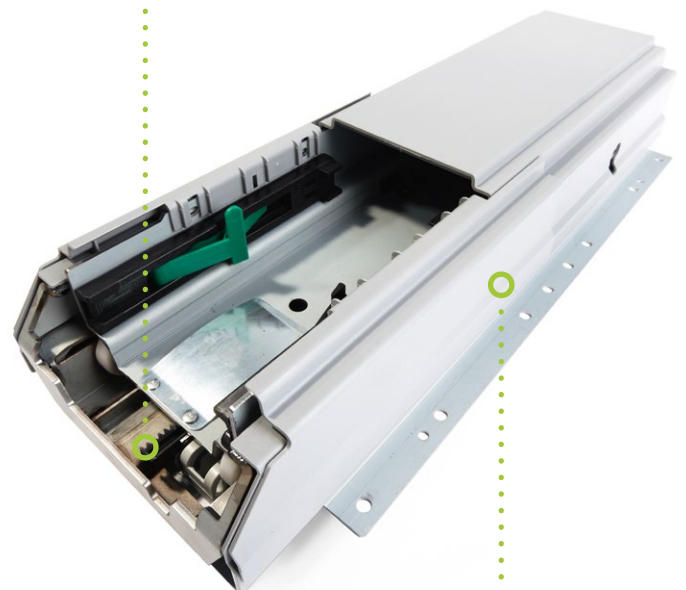


ATTENTION TO DETAIL IS A FEATURE OF THE NEW CONVOY – FOR EXAMPLE, QUICK AND EASY FINE ADJUSTMENT. THE SETTING SCREWS ARE UNOBTRUSIVE, BUT EASILY ACCESSIBLE.

The only tool required is a PZ2 screwdriver.

- Simple, self-explanatory fine adjustment
- The only tool required is a PZ2 screwdriver
- Direct adjustment – no tighten/release mechanism
- Toolless connection for frame and runner systems
- Toolless front panel attachment and disassembly
- Easy system disassembly with push-button mechanism

Synchronization with a toothed rack guarantees 100% reliability



The wide runner achieves an even smoother action.

Adjust in all planes

- 1 Height adjustment
- 2 3 Torsion adjustment top/bottom
- 4 5 Lateral adjustment top/bottom
- 6 Front tilt





CONVOY Centro

FOOD STORAGE SYSTEM WITH DOUBLE DAMPING

 KESSEBÖHMER



Technical Support

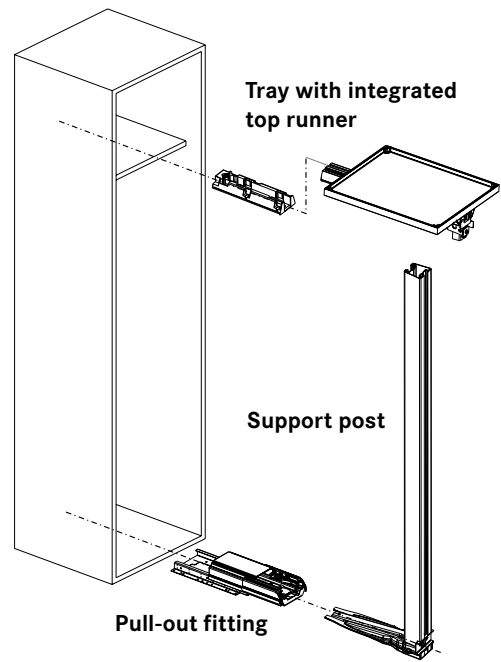
Short-URL:
<https://kbgo.to/supe>



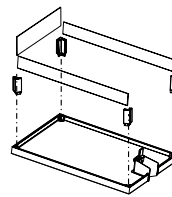
Product Information

Short-URL:
<https://kbgo.to/cvce>

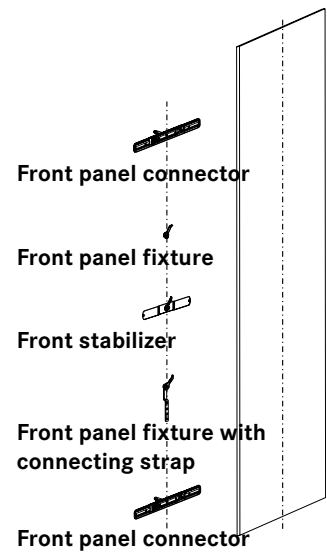
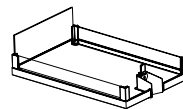




Accessory box



Tray



Minimalist design and cantilevered "floating" trays – with the new CONVOY support post

STANDARD WITH:



Item no.

002269 7930

CONVOY Centro pull-out fitting

with integrated damping for closing and opening (SoftSTOPPpro). Runner with forced synchronisation for 100% reliable function (Synchromatic).

1 set consists of: bottom runner with premounted cover and top runner guide

Pull-out travel: 470 mm

Clear inside depth: ≥ 500 mm

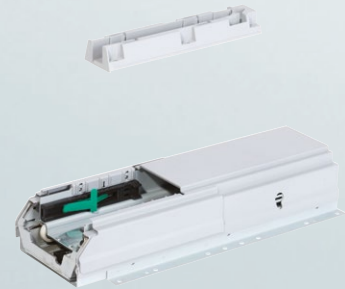
Permissible load on the pull-out fitting:

System weight + front panel + contents = max. 130 kg (depends on cabinet design)

Colour code:

Grey 7930

Standard with



Support post CONVOY Centro

incl. front fixture **A** and front panel fixture **B** with connecting strap

Colour code:

Silver 0102
Ice white 9966
Anthracite 9846

Clear inside height (mm)
1.800-1.899

1.900-1.999

2.000-2.099

2.100-2.199

002248 0102

002248 9966

002248 9846

002249 0102

002249 9966

002249 9846

002250 0102

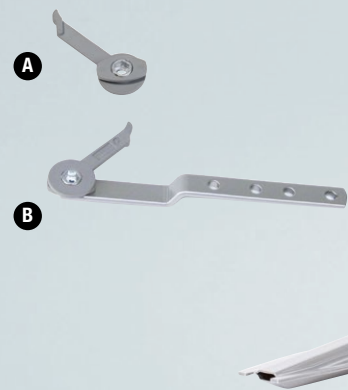
002250 9966

002250 9846

002251 0102

002251 9966

002251 9846



Tray set CONVOY Centro

Set of 5 – consisting of:

1 tray with integrated top runner

4 trays, height adjustable

5 accessory boxes

2 front panel connectors

*For 450 mm incl. reinforcing brackets to stabilize the carcass across the bottom.

For cabinet width:

300 mm

400 mm

450 mm*

280601 9846

280200 0005

280602 9846

280201 0005

280603 9846

280202 0005

Additional items required for a complete installation (order separately):

1 pull-out fitting

1 support post height as calculated

Standard with



Replacement tray CONVOY Centro

Colour code:

Anthracite 9846
Chrome 0005

For cabinet width:

300 mm

400 mm

450 mm*

280604 9846

280607 0005

280605 9846

280608 0005

280606 9846

280609 0005



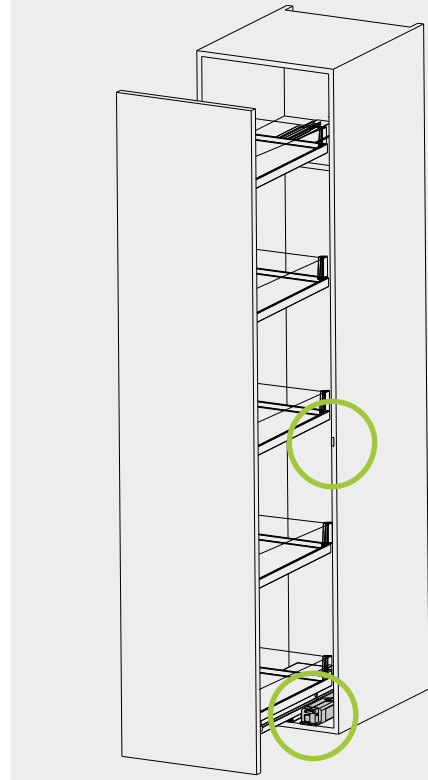


Assembly with predrilled cuphole so that front sensor is perfectly integrated into the carcaset.

Opening gap
ca. 44 mm



Install using adapter to take the sensor. Ideal for fronts with grip recesses.



eTouch for CONVOY Centro

Electrically assisted:
ca. 44 mm opening gap
Suitable for all cabinet widths
- can be retrofitted!
Set (consisting of drive, radio button, adapter for wireless pushbutton, power supply unit, mounting material)

Colour code:
Grey 7001

Identical to eTouch+ set for DISPENSA VVS-x, TANDEM side, TANDEM II, CONVOY Centro

With EU-DIN plug **002440 7001**
With GB/UK plug **002441 7001**
With US/JP plug **002442 7001**
With AUS plug **002443 7001**

Item no.

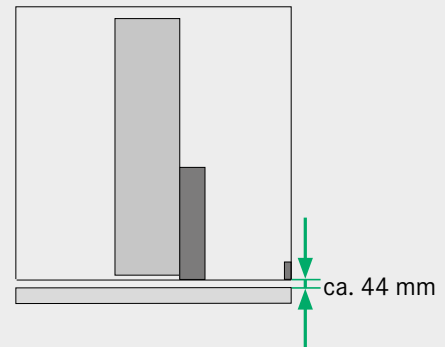


Assembly front sensor

Without adapter	Predrilled cuphole / insert (assembly aid for predrilled cuphole included)
With adapter	Screw in place / insert (3 universal screws 3.5 x 12 included)
Power supply	Battery CR 2032 3V (supplied)
Motor	
Mains connection	Hollow plug 2.5/5.5 mm; 1.5 m cable Black
Voltage	24 VDC, ≥ 1,5 A
Rated power	30 Watt
Standby power	0.5 Watt
Dimensions	157 x 45 x 47 mm (BxDxH)
Weight	0.2 kg
Max. pull-out weight	120 kg
Housing colour	Grey (7001)
Product requirements	CONVOY Centro with SoftSTOPPpro and SoftSTOPPplus
Assembly materials (supplied)	3 universal screws 4 x 16
Motor position	CONVOY Centro: beside the runner on the right
Electrically assisted	Opening gap ca. 44 mm

Power supply unit

Primary | secondary 100-240 V; 0,8 A 50/60 Hz | 24 Volt

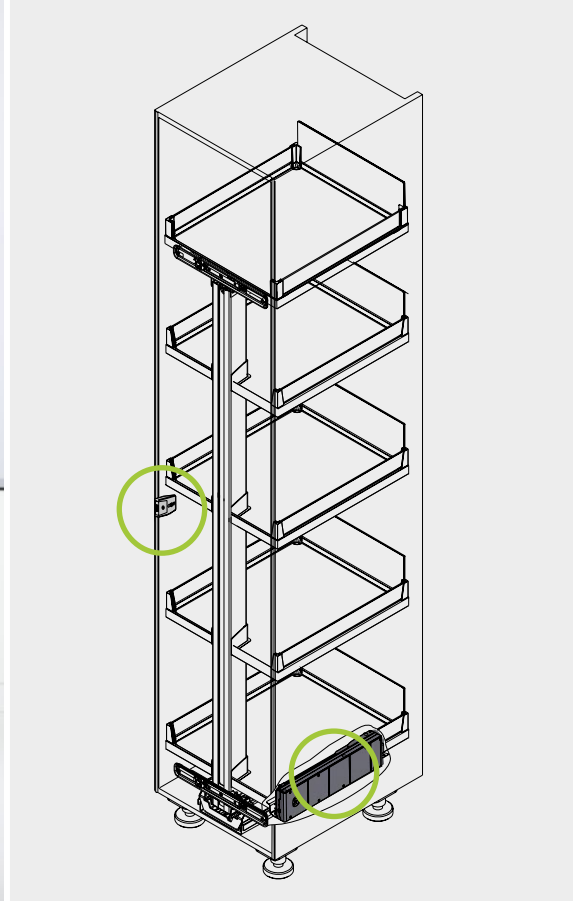




Install in predrilled cup hole so that front sensor is perfectly integrated into the carcass.



Install using adapter to take the sensor. Ideal for fronts with grip recesses.



eTouch for CONVOY Centro

Electrically assisted:
full opening and closing
Suitable for all cabinet widths
- can be retrofitted!

Set (consisting of front sensor, motor and adapter for front sensor assembly)

Colour code:
Grey 7930

With EU-DIN plug
With GB/UK plug
With US/JP plug
With AUS plug

Item no.
002353 7930
002354 7930
002355 7930
002356 7930

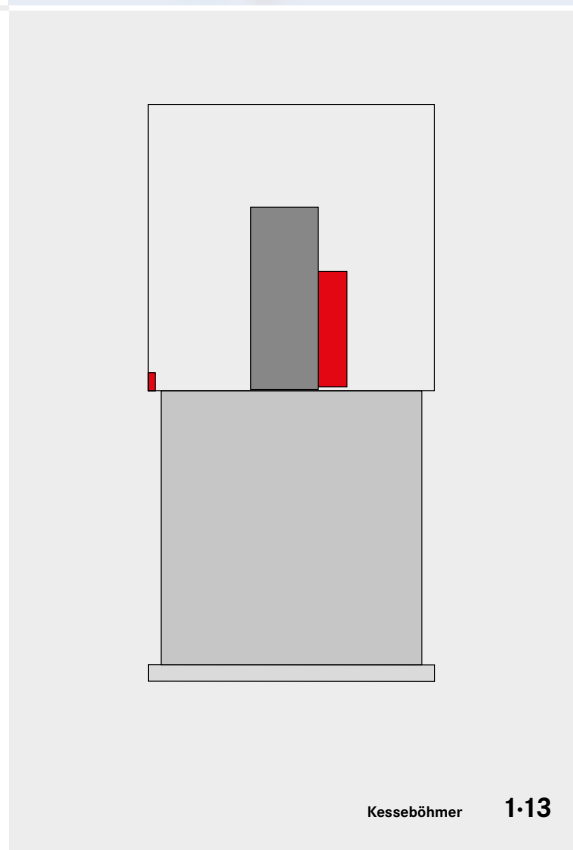


Assembly front sensor

Assembly (without adapter)	Predrill cuphole / insert (assembly aid supplied)
Assembly (with adapter)	Screw in place / insert
Power supply	Battery CR 2032 3V (supplied)

Motor

Mains connection	Euro 8 as per EN 60320/C8; 1.5 m cable Black
Voltage	110-240 V AC, 50/60 Hz, ≥ 2 A
Rated power	60 Watt
Standby power	<1 Watt
Dimensions	388 x 48 x 100 mm (BxDxH)
Weight	1.2 kg
Max. pull-out weight	120 kg
Housing colour	Grey (7930)
Product compatibility	CONVOY Centro with SoftSTOPPpro and SoftSTOPPplus
Assembly materials (supplied)	3 wood screws 4.5 x 100
Motor position	Beside and to right of the runner
Electrically assisted	Full opening and closing







CONVOY Lavido

UNCOMPLICATED OPENNESS

 KESSEBÖHMER



Technical Support

Short-URL:
<https://kbgo.to/supe>



Product Information

Short-URL:
<https://kbgo.to/cvle>



CONVOY Lavido

FULL ACCESS FROM THREE SIDES

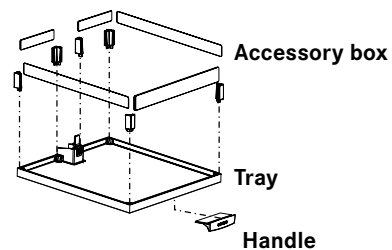
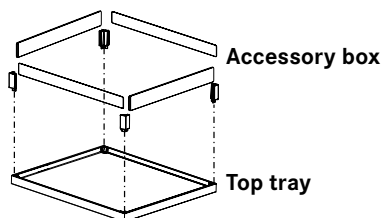
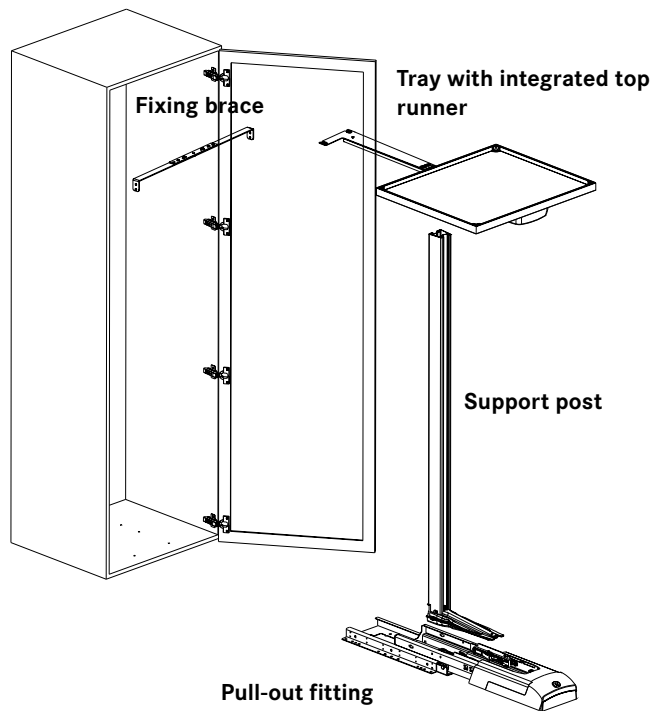
— KESSEBÖHMER —

GREAT FLEXIBILITY AND STRIKING LOOKS. CONVOY Lavido HIGHLIGHTS THE WIDE SCOPE OF THE WHOLE CONVOY SYSTEM. The Lavido fitting moves independently of the front panel, so that it can be combined easily with different cabinet concepts – behind sliding doors, for example.

This attractive fitting for tall storage units is the ideal solution for contemporary kitchens, and also for wider use, for example, in dining rooms or offices. A number of intelligent details make it a premium product in terms of technology too.







Minimalist design and cantilevered "floating" trays – with the new CONVOY support post.

STANDARD WITH:



CONVOY Lavidò pull-out fitting

with premounted cover, integrated damping for closing and opening (SoftSTOPPpro). Runner with forced synchronisation for 100% reliable function (Synchronomatic).

Pull-out travel: 470 mm

Clear inside depth: ≥ 500 mm

Permissible load on the pull-out fitting:

System weight + contents = max. 130 kg (depends on cabinet design)

Colour code:

White 9010
 Grey 7930
 Anthracite 9846

Item no.

002373 9010

002373 7930

002373 9846

Standard with



CONVOY Lavidò support post

Colour code:

Silver 0102
 Ice white 9966
 Anthracite 9846

Clear inside height (mm)

1.800-1.899

002368 0102

002368 9966

002368 9846

1.900-1.999

002369 0102

002369 9966

002369 9846

2.000-2.099

002370 0102

002370 9966

002370 9846

Standard with



2.100-2.199

002371 0102

002371 9966

002371 9846

CONVOY Lavidò tray set

Set of 5 – consisting of:

1 tray with integrated top runner

4 trays, height adjustable

5 accessory boxes

1 reinforcing bracket

1 fixing brace

1 handle

For cabinet width:

450 mm

280610 9846

280437 0005

500 mm

280611 9846

280438 0005

600 mm

280590 9846

280439 0005

Additional items required for a complete installation (order separately):

1 pull-out fitting

1 support post height as calculated

Standard with



Replacement tray CONVOY Lavidò

Colour code:

Anthracite 9846
 Chrome 0005

For cabinet width:

450 mm

280612 9846

280452 0005

500 mm

280613 9846

280453 0005

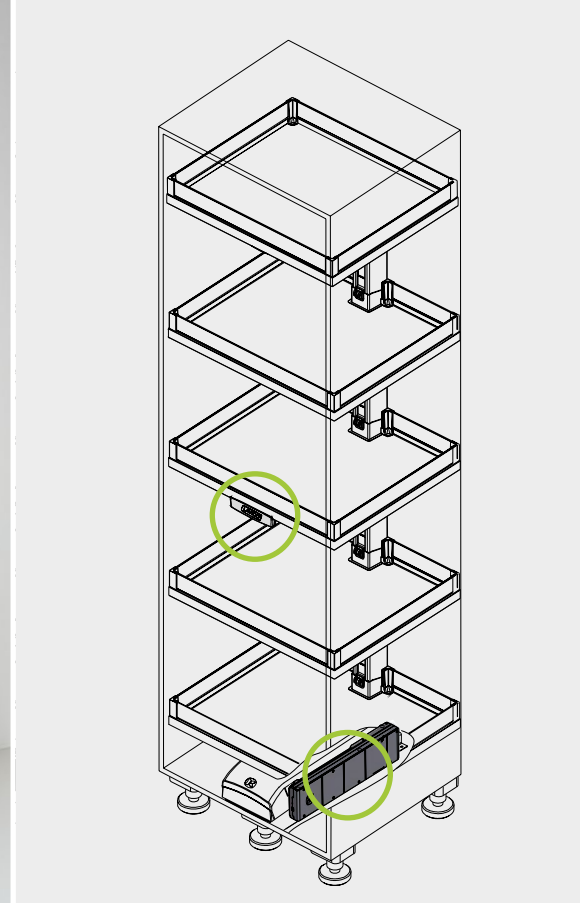
600 mm

280614 9846

280454 0005







eTouch for CONVOY Lavidó

Suitable for all CONVOY Lavidó cabinet widths – can be retrofitted!
Set (consisting of handle and motor)

Colour code:
Grey 7930

With EU-DIN plug **002400 7930**
With GB/UK plug **002401 7930**
With US/JP plug **002402 7930**
With AUS plug **002403 7930**

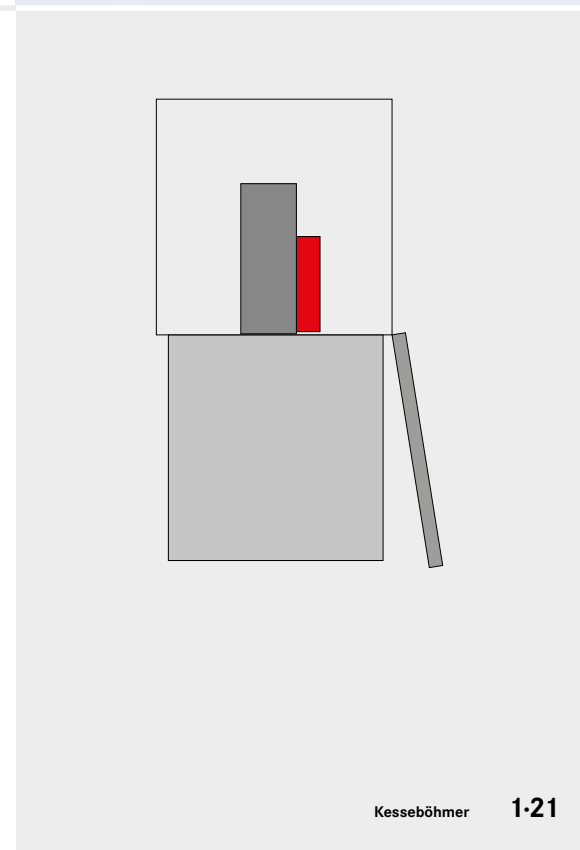
Item no.



Assembly	Glue in place
Power supply	Battery CR 2032 3V (supplied)

Motor

Mains connection	Euro 8 as per EN 60320/C8; 1.5 m cable Black
Voltage	110-240 V AC, 50/60 Hz, ≥ 2 A
Rated power	60 Watt
Standby power	<1 Watt
Dimensions	388 x 48 x 100 mm (L x B x H)
Weight	1.2 kg
Max. pull-out weight	120 kg
Housing colour	Grey (7930)
Product compatibility	CONVOY Lavidó with SoftSTOPPpro and SoftSTOPPplus
Assembly materials (supplied)	3 wood screws 4.5 x 100
Motor position	Beside and to right of the runner
Electrically assisted	Full opening and closing







CONVOY Premio

EFFORTLESS OVERVIEW, ABSOLUTELY SMOOTH ACTION

 KESSEBÖHMER



Technical Support

Short-URL:
<https://kbgo.to/supe>



Product Information

Short-URL:
<https://kbgo.to/cvpe>





CONVOY Premio

EFFORTLESS OVERVIEW AND ACCESS



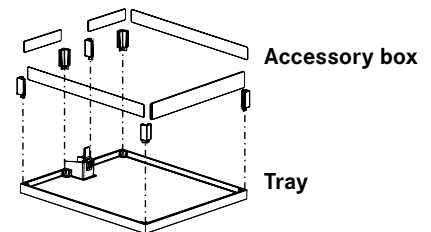
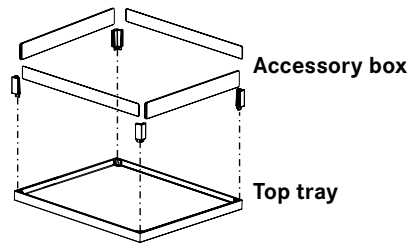
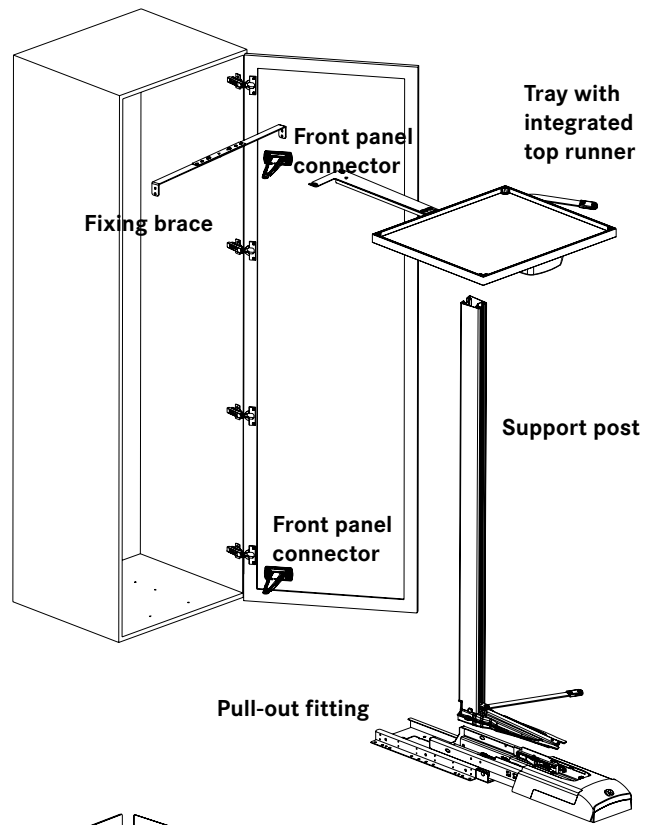
THE CONVOY Premio „FLOATS“ ALL THE CONTENTS RIGHT OUT OF THE CABINET. Opening the door – at an angle of up to 135° – initiates a fluid movement sequence, SoftSTOPPro slows the opening movement and then completes it under precision control. With damped self-closing, the fitting glides softly and silently back into the unit.

Full-extension means a totally unobstructed view – from three sides – of all the contents. The sophisticated engineering that underlies this perfect opening and closing is unobtrusive.

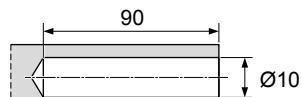


reddot design award





272073 7035
272073 7500
272073 9966



push-to-open (PTO) Typ II

Drill-in ejector

● 22-34 N

Can also be used with PTO housing
(272075 7035)

Grey	7035
Anthracite	7500
White	9966



272075 7035
272075 7500
272075 9966

PTO housing

for screw fixing

Grey	7035
Anthracite	7500
White	9966

CONVOY Premio pull-out fitting

With premounted cover, with integrated damping for closing and opening (SoftSTOPPpro).

Runner with forced synchronisation for 100% reliable function (Synchromatic).

Pull-out travel: 470 mm

Clear inside depth: ≥ 500 mm

Permissible load on the pull-out fitting:

System weight + front panel + contents = max. 130 kg
(depends on cabinet design)

Colour code:

White	9010
Grey	7930
Anthracite	9846

Item no.

002410 9010

002410 7930

002410 9846

Standard with



CONVOY Premio support post

Colour code:

Silver	0102
Ice white	9966
Anthracite	9846

Clear inside
height (mm)

1.800-1.899

002368 0102

002368 9966

002368 9846

1.900-1.999

002369 0102

002369 9966

002369 9846

2.000-2.099

002370 0102

002370 9966

002370 9846

Standard with



2.100-2.199

002371 0102

002371 9966

002371 9846

CONVOY Premio tray set

Set of 5 – consisting of:

1 tray with integrated top runner and control lever

4 trays, height-adjustable

5 accessory boxes

1 support bracket

1 fixing brace

2 front panel connectors

1 control lever bottom

For cabinet
width:

600 mm

Door catch

right

280591 9846

280508 0005

left

280592 9846

280509 0005

Additional items required for a complete installation (order separately):

1 pull-out fitting

1 support post height as calculated

Standard with

ARENAplus
Anti-slip coating

Replacement tray CONVOY Premio

Colour code:

Anthracite	9846
Chrome	0005

For cabinet
width:

600 mm

280620 9846

280621 0005



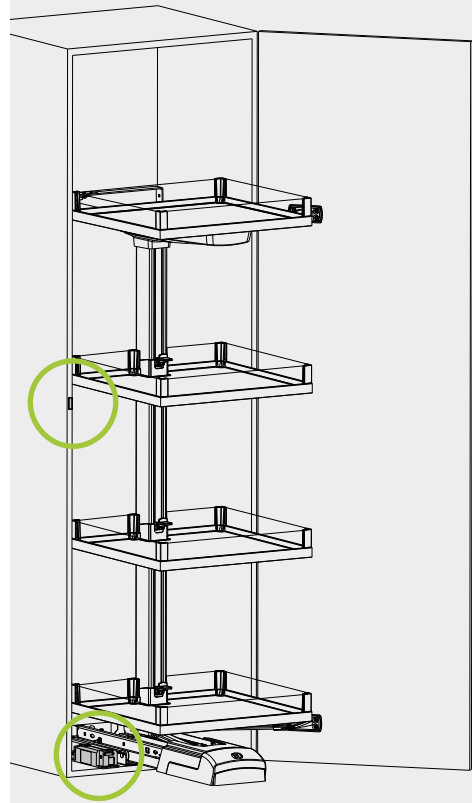


Assembly with predrilled cuphole so that front sensor is perfectly integrated into the carcaset.

Opening gap
ca. 44 mm



Install using adapter to take the sensor. Ideal for fronts with grip recesses.



eTouch for CONVOY Premio

Electrically assisted:
ca. 44 mm opening gap
Suitable for all cabinet widths
- can be retrofitted!
Set (consisting of drive, radio button, adapter for wireless pushbutton, power supply unit, mounting material)

Colour code:
Grey 7001

Identical to eTouch+ set for DISPENSA VVS-x,
TANDEM side, TANDEM II, CONVOY Centro

With EU-DIN plug
With GB/UK plug
With US/JP plug
With AUS plug

Item no.
002440 7001
002441 7001
002442 7001
002443 7001

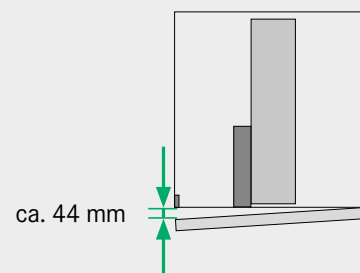
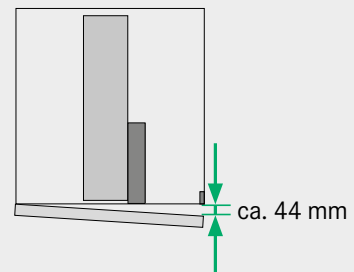


Assembly front sensor

Without adapter	Predrilled cuphole / insert (assembly aid for predrilled cuphole included)
With adapter	Screw in place / insert (3 universal screws 3.5 x 12 included)
Power supply	Battery CR 2032 3V (supplied)
Motor	
Mains connection	Hollow plug 2.5/5.5 mm; 1.5 m cable Black
Voltage	24 VDC, ≥ 1,5 A
Rated power	30 Watt
Standby power	0.5 Watt
Dimensions	157 x 45 x 47 mm (BxDxH)
Weight	0.2 kg
Max. pull-out weight	120 kg
Housing colour	Grey (7001)
Product requirements	CONVOY Premio with SoftSTOPPpro and SoftSTOPPplus
Assembly materials (supplied)	3 universal screws 4 x 16
Motor position	CONVOY Premio: opposite hinge side
Electrically assisted	Opening gap ca. 44 mm

Power supply unit

Primary secondary	100-240 V; 0,8 A 50/60 Hz 24 Volt
---------------------	-------------------------------------

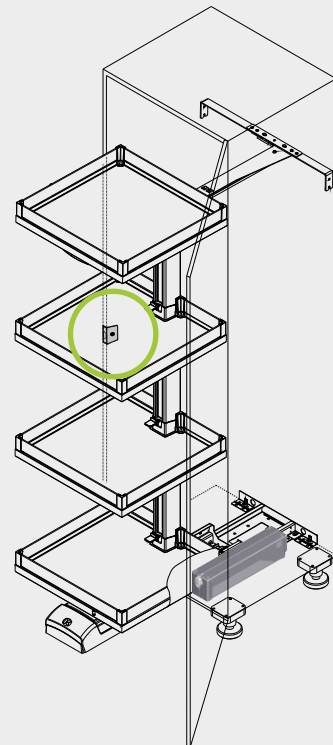




Install in predrilled cup hole so that front sensor is perfectly integrated into the carcass.



Install using adapter to take the sensor. Ideal for fronts with grip recesses



Item no.

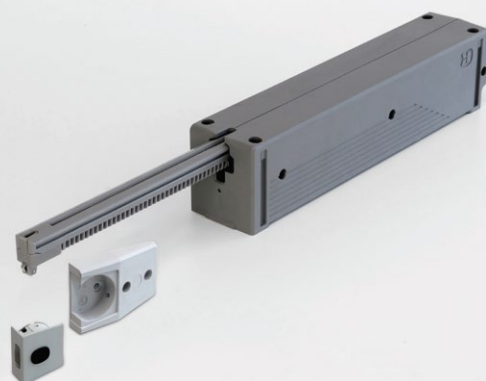
eTouch für CONVOY Premio

Electrically assisted: full opening and closing for all cabinet widths - can be retrofitted! Set (consisting of motor, front sensor and adapter for front sensor assembly). Identical to set for DISPENSA

With EU-DIN plug
With GB/UK plug
With US/JP plug
With AUS plug

084246 7930
084247 7930
084248 7930
084249 7930

Colour code:
Grey 7930

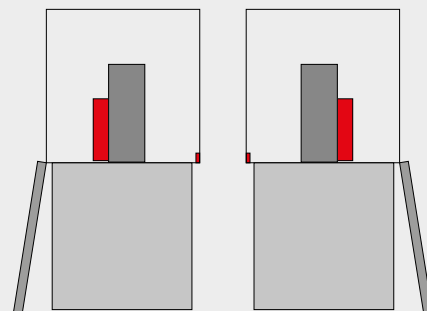


Assembly front sensor

Without adapter	Predrilled cuphole / insert (assembly aid supplied)
With adapter	Screw in place / insert
Power supply	Battery CR 2032 3V (supplied)

Motor

Mains connection	Euro 8 as per EN 60320/C8; 1.5 m cable Black
Voltage	110-240 V AC, 50/60 Hz, ≥ 2 A
Rated power	60 Watt
Standby power	<4 Watt
Dimensions	333 x 68 x 77 mm (BxDxH)
Weight	1.6 kg
Max. pull-out weight	CONVOY Premio: 120 kg
Housing colour	Grey (7930)
Product compatibility	CONVOY Premio with SoftSTOPPro and SoftSTOPPlus
Assembly materials (supplied)	4 wood screws 4.5 x 75, assembly aid
Motor position	CONVOY Premio: hinge side
Electrically assisted	Opening



ARENA select for CONVOY

DEFINE YOUR OWN STYLE

FOR MORE INFORMATION ON WOOD/METAL COMBINATIONS,
see Chapter 7: Accessoires.





DISPENSA 90°

THE MOVING STORAGE UNIT

 KESSEBÖHMER



Technical Support

Short-URL:
<https://kbgo.to/supe>



Product Information

Short-URL:
<https://kbgo.to/dpse>



DISPENSA 90°

ORGANIZATION, A CLEAR
OVERVIEW AND FAST ACCESS

 KESSEBÖHMER

THE HEIGHT-ADJUSTABLE TRAYS ARE HOOKED ON INDIVIDUALLY, MAKING THE DISPENSA 90° AN EXTREMELY FLEXIBLE STORAGE SOLUTION. IT GIVES USERS A LOT OF STORAGE SPACE ON A VERY SMALL FOOTPRINT. The whole width and depth of the cabinet are used for storage. A DISPENSA stands for ample space, good organization and a clear overview. You can see clearly what's on the shelves, even on the top shelves, and reach in from both sides!

STANDARD WITH:



ARENAplus
Anti-slip coating

OPTIONAL WITH:



See-through sides
for a clear view at all levels

Payload up to 100 kg

Low-profile bottom runner





Item no.

074222 9006
074222 9966
074222 9846

Standard with



Damping



Suitable for SoftSTOPPro
damped opening (see page 1-35)

DISPENSA Vx partial pull-out fitting
for tall pull-out with central runner

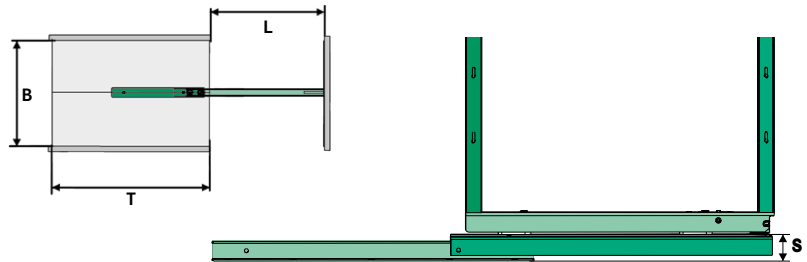
Payload: max. 100 kg
Particularly suitable for narrow cabinets

Only supplied plastic-coated!

Colour code:
Silver grey 9006
Ice white 9966
Anthracite 9846

DISPENSA Vx partial pull-out fitting

Frame height = clear inside height	-55 mm
S = system height (bottom runner):	43 mm
B = Clear inside width:	≥ 112 mm
T = Clear inside depth:	≥ 500 mm
L = Pull-out travel:	370 mm
Payload:	≤ 100 kg



084235 9006
084235 9966
084235 9846

Standard with



Damping

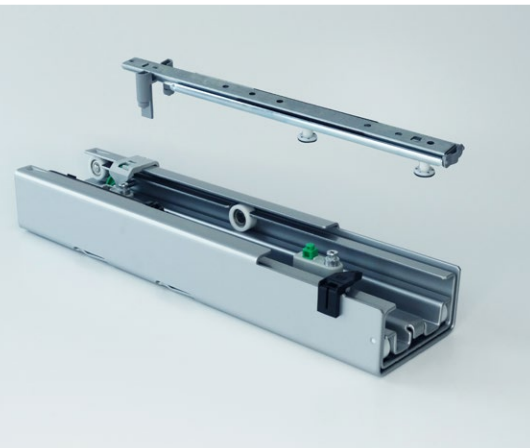


DISPENSA VVSx full-extension pull-out

With extra-low runner;
for tall pull-out with central runner
Payload: max. 100 kg

Only supplied plastic-coated!

Colour code:
Silver grey 9006
Ice white 9966
Anthracite 9846



094235 9006
094235 9966
094235 9846

Standard with



Damping



Damping

DISPENSA VVSx full-extension pull-out

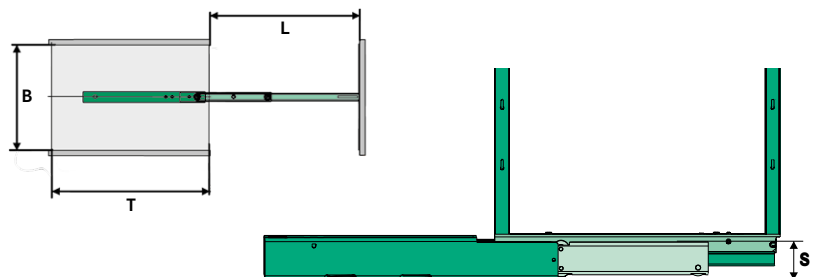
With extra-low runner;
for tall pull-out with central runner
Payload: max. 100 kg

Only supplied plastic-coated!

Colour code:
Silver grey 9006
Ice white 9966
Anthracite 9846

**DISPENSA VVSx low-profile,
full-extension pull-out**

Frame height = clear inside height	-55 mm
S = system height (bottom runner):	35 mm
B = Clear inside width:	ab 212 mm
T = Clear inside depth:	≥ 500 mm
L = Pull-out travel:	470 mm
Payload:	≤ 100 kg



	Dimensions (mm)	Item no.
Support frame DISPENSA-x		
Height-adjustable	Clear inside height	
Only supplied plastic-coated!	900-1300	054379 0102 054379 9966 054379 9846
Colour code:		
Silver	0102	054381 0102 054381 9966 054381 9846
Ice white	9966	054382 0102 054382 9966 054382 9846
Anthracite	9846	054384 0102 054384 9966 054384 9846
	1200-1600	054383 0102 054383 9966 054383 9846
	1600-2000	
	1800-2200	
	1900-2300	

Standard with



Damping



Front bracket DISPENSA-x

Set (= 2 pcs)

Only supplied plastic-coated!

Width	PU	Silver	Ice white	Anthracite
150 mm	1 set	235156 0102	235156 9966	235156 9846
300 mm	1 set	232216 0102	232216 9966	232216 9846
400 mm	1 set	232217 0102	232217 9966	232217 9846
450 mm	1 set	232218 0102	232218 9966	232218 9846
500 mm	1 set	232390 0102	232390 9966	232390 9846
600 mm	1 set	232391 0102	232391 9966	232391 9846



Front stabilizer

Install in any position

Only supplied plastic-coated!

Colour code:

Silver	0102
Ice white	9966
Anthracite	9846

BxDxH

160 x 28 x 20

004350 0102
004350 9966
004350 9846



Front panel connecting strap

Colour code:

Silver	0102
Ice white	9966
Anthracite	9846

BxDxH

20 x 3 x 110

000214 0102
000214 9966
000214 9846



DISPENSA Vx SoftSTOPPpro

Damped opening

Option for DISPENSA Vx
partial pull-out fitting

Colour code:

Grey	7001
------	------

004244 7001



DISPENSA VVSx SoftSTOPPpro

Damped opening

Option for DISPENSA VVSx

full-extension fitting with Synchronmatic

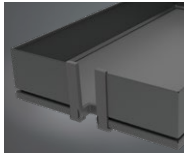




Colour code:

Black	9005
-------	------

004243 9005



Hook-on tray DISPENSA

		ARENA pure	ARENA pure	ARENA pure	ARENA style	ARENA style
Railing		Anthracite	Silver	Silver	Anthracite	Chrome
Base panel colour		Anthracite	Ice white	Grey	Anthracite	Ice white
ARENAplus Anti-slip coating						
Cabinet width	PU					
150 mm	1 piece	236618 9846	236621 0102	236624 0102	260176 9846	260179 0005
150 mm	2 pieces	236619 9846	236622 0102	236625 0102	260177 9846	260180 0005
150 mm	3 pieces	236620 9846	236623 0102	236626 0102	260178 9846	260181 0005
300 mm	1 piece	236463 9846	236478 0102	236493 0102	260118 9846	231432 0005
300 mm	2 pieces	236464 9846	236479 0102	236494 0102	260119 9846	260133 0005
300 mm	3 pieces	236465 9846	236480 0102	236495 0102	260120 9846	260134 0005
400 mm	1 piece	236466 9846	236481 0102	236496 0102	260121 9846	231433 0005
400 mm	2 pieces	236467 9846	236482 0102	236497 0102	260122 9846	260135 0005
400 mm	3 pieces	236468 9846	236483 0102	236498 0102	260123 9846	260136 0005
450 mm	1 piece	236469 9846	236484 0102	236499 0102	260124 9846	260137 0005
450 mm	2 pieces	236470 9846	236485 0102	236500 0102	260125 9846	260138 0005
450 mm	3 pieces	236471 9846	236486 0102	236501 0102	260126 9846	260139 0005
500 mm	1 piece	-	-	-	260127 9846	260140 0005
500 mm	2 pieces	-	-	-	260128 9846	260141 0005
500 mm	3 pieces	-	-	-	260129 9846	260142 0005
600 mm	1 piece	-	-	-	260130 9846	260143 0005
600 mm	2 pieces	-	-	-	260131 9846	260144 0005
600 mm	3 pieces	-	-	-	260132 9846	260145 0005

Item no. Dimensions (mm)

BxDxH

235227 0102 465 x 85 x 33,5

235227 9966

235227 9846

Space:
462 x 79

Spice rack

For up to 12 spice jars







Colour code:

Silver 0102

Ice white 9966

Anthracite 9846



ARENA classic	ARENA classic	ARENA classic	ARENA classic	Metal basket	Metal basket	Railing
Chrome	Chrome	Silver	Silver	Chrome	Silver	Base panel colour
Ice white	Grey	Ice white	Grey			
						Cabinet width
260182 0005	260185 0005	260182 0102	260185 0102	-	-	150 mm
260183 0005	260186 0005	260183 0102	260186 0102	-	-	150 mm
260184 0005	260187 0005	260184 0102	260187 0102	-	-	150 mm
260146 0005	260161 0005	260146 0102	260161 0102	217781 0005	217781 0102	300 mm
260147 0005	260162 0005	260147 0102	260162 0102	001966 0005	001966 0102	300 mm
260148 0005	260163 0005	260148 0102	260163 0102	235019 0005	235019 0102	300 mm
260149 0005	260164 0005	260149 0102	260164 0102	231573 0005	231573 0102	400 mm
260150 0005	260165 0005	260150 0102	260165 0102	001967 0005	001967 0102	400 mm
260151 0005	260166 0005	260151 0102	260166 0102	235020 0005	235020 0102	400 mm
260152 0005	260167 0005	260152 0102	260167 0102	235021 0005	235021 0102	450 mm
260153 0005	260168 0005	260153 0102	260168 0102	001938 0005	001938 0102	450 mm
260154 0005	260169 0005	260154 0102	260169 0102	235022 0005	235022 0102	450 mm
260155 0005	260170 0005	260155 0102	260170 0102	235023 0005	235023 0102	500 mm
260156 0005	260171 0005	260156 0102	260171 0102	001939 0005	001939 0102	500 mm
260157 0005	260172 0005	260157 0102	260172 0102	235024 0005	235024 0102	500 mm
260158 0005	260173 0005	260158 0102	260173 0102	235025 0005	235025 0102	600 mm
260159 0005	260174 0005	260159 0102	260174 0102	001980 0005	001980 0102	600 mm
260160 0005	260175 0005	260160 0102	260175 0102	235026 0005	265026 0102	600 mm

	Dimensions (mm)	Item no.
DISPENSA Youbox_x-Set 1		
consisting of:	BxDxH	
2 boxes (1.0 litres)	115 x 150 x 95	
1 box (2.1 litres)	115 x 300 x 95	
2 boxes (2.0 litres)	115 x 150 x 195	
1 knife holder		005273 0102
2 lids		005273 9966
2 traverse rails		005273 9846
Lid and dividers in White		
Colour code:		
Silver	0102	
Ice white	9966	
Anthracite	9846	



	Dimensions (mm)	Item no.
DISPENSA Youbox_x-Set 3		
consisting of:	BxDxH	
2 boxes (1.0 litres)	115 x 150 x 95	
2 boxes (2.1 litres)	115 x 300 x 95	
2 lids		
1 dividers, large		005275 0102
2 traverse rails		005275 9966
		005275 9846
Lid and dividers in White		
Colour code:		
Silver	0102	
Ice white	9966	
Anthracite	9846	





The frame is positioned on the front at the top.

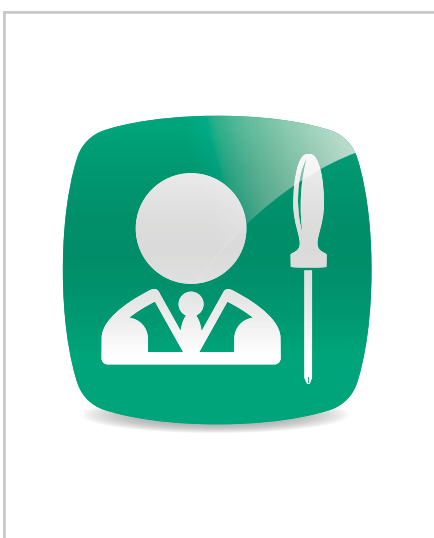
And pushed in at the bottom – click!

The frame is clicked into position on the runner – click – and the whole fitting is pushed into the cabinet. Done!

A couple of clicks

THE INSTALLATION IS FINISHED



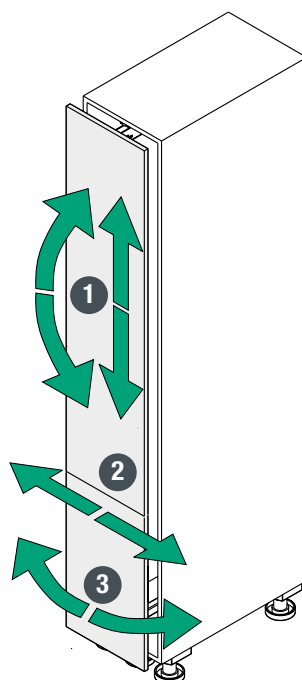


Adjustment is quick and easy

WITHOUT SPECIAL TOOLS

— KESSEBÖHMER —

A STANDARD PZ2 SCREWDRIVER AND TWO SETTING SCREWS ON THE FRAME TOP AND BOTTOM SIMPLIFY ADJUSTMENT. Turning the screws has an immediately visible effect. This makes adjustment quicker and easier – and also much more precise. And all it takes is a screwdriver!



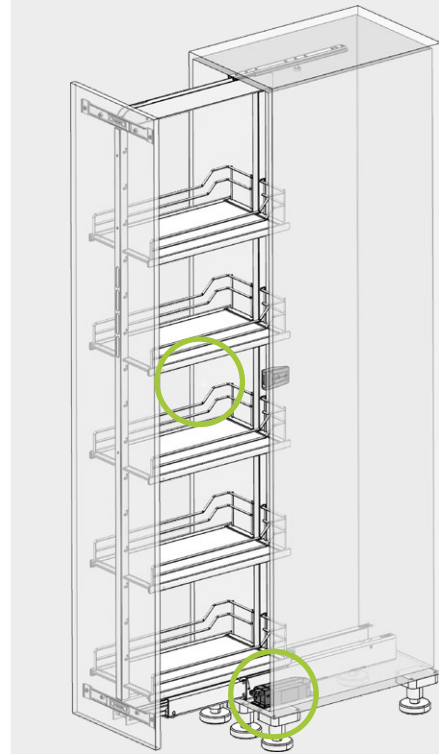


Assembly with predrilled cuphole so that front sensor is perfectly integrated into the carcaset.

Opening gap ca. 44



Install using adapter to take the sensor. Ideal for fronts with grip recesses.



eTouch for DISPENSA VVS-x

Electrically assisted:
ca. 44 mm opening gap
Suitable for all cabinet widths
- can be retrofitted!
Set (consisting of drive, radio button, adapter for wireless pushbutton, power supply unit, mounting material)

Colour code:
Grey 7001

Identical to eTouch+ set for TANDEM side, TANDEM II, CONVOY Premio, CONVOY Centro

With EU-DIN plug **002440 7001**
With GB/UK plug **002441 7001**
With US/JP plug **002442 7001**
With AUS plug **002443 7001**

Item no.



Assembly front sensor

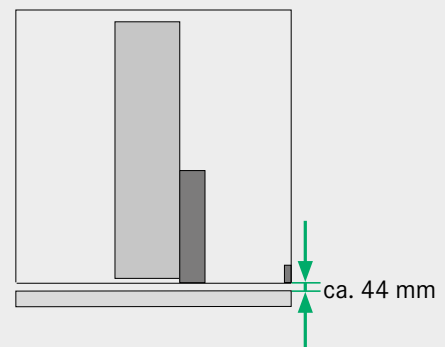
Without adapter	Predrilled cuphole / insert (assembly aid for predrilled cuphole included)
With adapter	Screw in place / insert (3 universal screws 3.5 x 12 included)
Power supply	Battery CR 2032 3V (supplied)

Motor

Mains connection	Hollow plug 2.5/5.5 mm; 1.5 m cable Black
Voltage	24 VDC, ≥ 1,5 A
Rated power	30 Watt
Standby power	0.5 Watt
Dimensions	157 x 45 x 47 mm (BxDxH)
Weight	0.2 kg
Max. pull-out weight	120 kg
Housing colour	Grey (7001)
Product requirements	DISPENSA VVS-x with SoftSTOPPpro and SoftSTOPPplus
Assembly materials (supplied)	3 universal screws 4 x 16
Motor position	DISPENSA VVS-x: beside the runner on the right
Electrically assisted	Opening gap ca. 44 mm

Power supply unit

Primary secondary	100-240 V; 0,8 A 50/60 Hz 24 Volt
---------------------	-------------------------------------

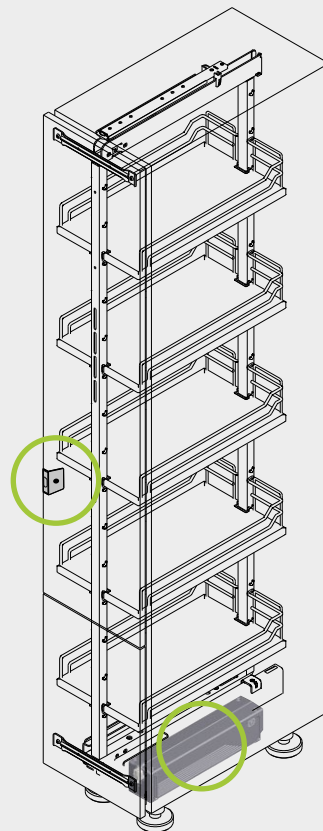




Assembly with predrilled cuphole so that front sensor is perfectly integrated into the carcaset.



Install using adapter to take the sensor. Ideal for fronts with grip recesses.



Item no.

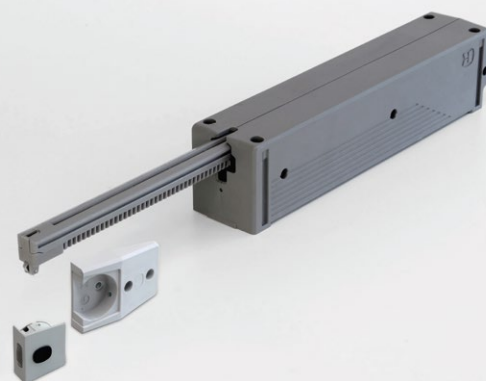
eTouch for DISPENSA

Suitable for cabinet widths from 300 mm – can be retrofitted! Set (consisting of motor, front sensor and adapter for front sensor assembly)

Identical to set for CONVOY Premio

With EU-DIN plug	084246 7930
With GB/UK plug	084247 7930
With US/JP plug	084248 7930
With AUS plug	084249 7930

Colour code:
Grey 7930

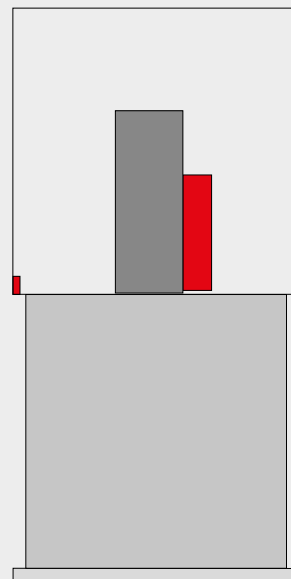


Assembly front sensor

Without adapter	Predrilled cuphole / insert (assembly aid supplied)
With adapter	Screw in place / insert
Power supply	Battery CR 2032 3V (supplied)

Motor

Mains connection	Euro 8 as per EN 60320/C8; 1.5 m cable Black
Voltage	110-240 V AC, 50/60 Hz, ≥ 2 A
Rated power	60 Watt
Standby power	<4 Watt
Dimensions	333 x 68 x 77 mm (BxDxH)
Weight	1.6 kg
Max. pull-out weight	CONVOY Premio: 120 kg
Housing colour	Grey (7930)
Product compatibility	CONVOY Premio with SoftSTOPPpro and SoftSTOPPplus
Assembly materials (supplied)	4 wood screws 4.5 x 75, assembly aid
Motor position	DISPENSA: beside the runner on the right
Electrically assisted	Opening







TANDEM I

TWO SHELVES BEHIND ONE DOOR

 KESSEBÖHMER



TANDEM I

MORE STORAGE SPACE, BETTER ORGANIZED,
CLEARER OVERVIEW

 KESSEBÖHMER

TANDEM OFFERS COMPLETELY NEW POTENTIAL FOR FOOD STORAGE – JUST OPENING THE DOOR IS AN INSPIRATION. In a clever piece of engineering, the back shelf element moves automatically towards the user as the door is pulled open. Kitchen users can check contents at a glance and easily reach what they want. The shelf element on the door contributes to optimal use of the available space!

Double the gain by installing two TANDEMs in one kitchen unit: as a TANDEM Depot, in 90-, 100- and 120-cm units.

STANDARD WITH:



ARENA^{plus}
Anti-slip coating

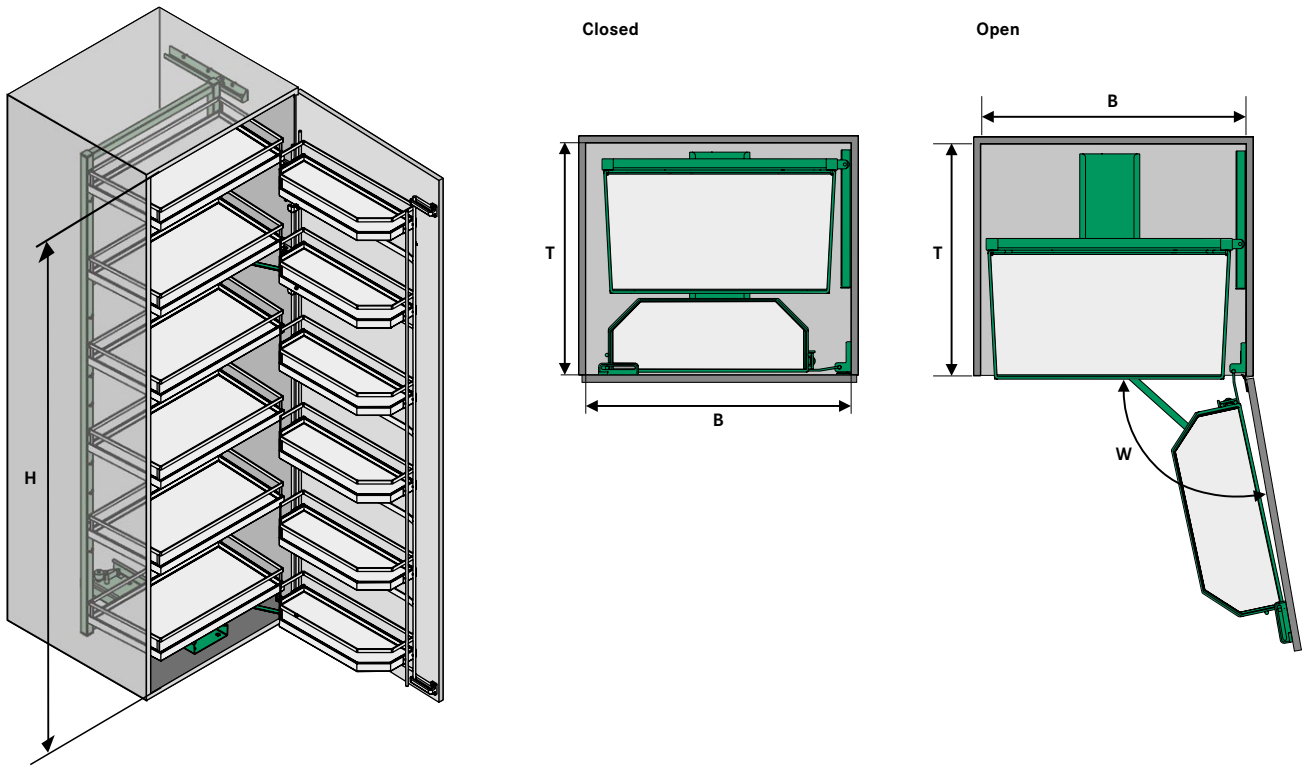
Baskets can be fitted
at different levels

Simplified assembly

Generous storage space
in the door shelf

Smooth, silent opening and closing





TANDEM I

Cabinet width	450 mm	500 mm	600 mm
B = Clear inside width:	≥ 412 mm	≥ 462 mm	≥ 562 mm
T = Clear inside depth:	≥ 500 mm	≥ 500 mm	≥ 500 mm
H = Clear inside height:			from 800 mm
	from 1.100 mm	from 1.100 mm	from 1.100 mm
	6-levels: from 1.700 mm	from 1.700 mm	from 1.700 mm
W = Opening angle:	110°	110°	110°
max. load with 6 shelves:	Rear element: 50 kg Door element: 20 kg	Rear element: 50 kg Door element: 20 kg	Rear element: 60 kg Door element: 25 kg

Complete set TANDEM I

consisting of fittings and trays

	Railing
Base panel colour	
Frame	

ARENA style

Anthracite
Anthracite
Anthracite

ARENA style

Chrome
Ice white
Ice white

ARENA style

Chrome
Ice white
Silver

ARENA classic

Chrome
Ice white
Silver

ARENA^{plus}

Anti-slip coating

Cabinet width	Cabinet height	PU
450 mm	1100 mm	1 Set
450 mm	1700 mm	1 Set
500 mm	1100 mm	1 Set
500 mm	1700 mm	1 Set
600 mm	800 mm	1 Set
600 mm	1100 mm	1 Set
600 mm	1700 mm	1 Set



260245 9846

260212 0005

260233 0005

260253 0005

260246 9846

260213 0005

260234 0005

260254 0005

260247 9846

260214 0005

260235 0005

260255 0005

260248 9846

260215 0005

260236 0005

260256 0005

260249 9846

260219 0005

260252 0005

260257 0005

260250 9846

260216 0005

260237 0005

260258 0005

260251 9846

260217 0005

260238 0005

260259 0005

TANDEM coffee

SMALL TANDEM – BIG BENEFITS



IN TALL UNITS WITH A COFFEE MACHINE, STEAMER, OVEN OR MICROWAVE INTEGRATED AT AN ERGONOMIC HEIGHT, A TANDEM UNIT FITTED UNDERNEATH IS THE IDEAL PAIRING. By splitting up the storage space, it makes for clearer organisation and fast access. Underneath a coffee machine, for example, you could store mugs, coffee, sugar – all in clear view and easy reach. It's the ideal system for themed kitchen units and fits into the standard niche for a built-in refrigerator.



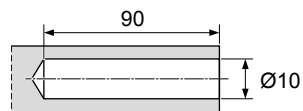
push-to-open (PTO) Typ I

TANDEM side

drill-in ejector

● 17-23 N

Grey	7035
Anthracite	7500
White	9966



Item no.

272072 7035
272072 7500
272072 9966



ARENA classic	ARENA classic	ARENA classic	Metal basket	Metal basket	ARENA ^{plus} Anti-slip coating	
Chrome	Silver	Silver	Chrome	Silver	Railing	
Grey	Ice white	Grey			Base panel colour	
Silver	Silver	Silver	Silver	Silver	Frame	
					Cabinet width	Cabinet height
260227 0005	260253 0102	260227 0102	260200 0005	260200 0102	450 mm	1100 mm
260228 0005	260254 0102	260228 0102	260201 0005	260201 0102	450 mm	1700 mm
260229 0005	260255 0102	260229 0102	260202 0005	260202 0102	500 mm	1100 mm
260230 0005	260256 0102	260230 0102	260203 0005	260203 0102	500 mm	1700 mm
232738 0005	260257 0102	232738 0102			600 mm	800 mm
260231 0005	260258 0102	260231 0102	260204 0005	260204 0102	600 mm	1100 mm
260232 0005	260259 0102	260232 0102	260205 0005	260205 0102	600 mm	1700 mm

TANDEM side

MODULAR STORAGE FITTING
FOR TOTAL FLEXIBILITY

 KESSEBÖHMER



Technical Support

Short-URL:
<https://kbgo.to/supe>



Product Information

Short-URL:
<https://kbgo.to/tdse>

Makes good use of the successful
Youboxx system

Perfectly organized storage with the
thoughtful range of box sizes and
clever dividers

Door shelf with height-
adjustable trays

STANDARD WITH:

ARENAplus
Anti-slip coating



TANDEM side

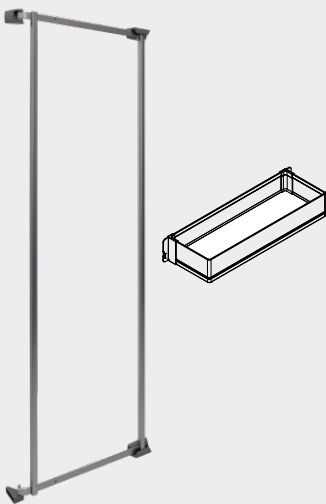
100% MODULAR

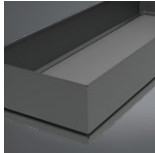
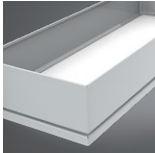
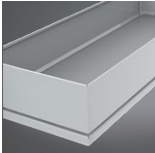

THE NEW TANDEM SIDE DOOR SHELF IS A KEY ELEMENT IN A NEW BUILDING BLOCK SYSTEM THAT CREATES ULTRA-FLEXIBLE STORAGE FITTINGS. A wide choice of modules and different Kesseböhmer products can be combined to create custom storage fittings from standard components. The resulting fittings will exactly match customer requirements – both in value and in functionality.

Part of the appeal of the new door shelf is the fact that it continues to use existing building blocks and products. It can be fitted on its own, paired with the existing TANDEM pull-out shelf, and/or upgraded with the customer's choice of YouBox_x sets. Trays and Youbox_xes can be hooked on to the TANDEM frame at user-selected heights.



TANDEM side door shelf set consisting of fittings and trays



			ARENA pure	ARENA pure	ARENA pure	ARENA style	
		Railing	Anthracite	Silver	Silver	Anthracite	
		Base panel colour	Anthracite	Ice white	Grey	Anthracite	
		Frame	Anthracite	Silver	Silver	Anthracite	
			ARENA^{plus}				
			<i>Anti-slip coating</i>				
Cabinet width	Cabinet height	Number shelves					
450 mm	600 mm	2	003600 9846	003612 0102	003624 0102	003636 9846	
	800 mm	3	003601 9846	003613 0102	003625 0102	003637 9846	
	1100 mm	4	003602 9846	003614 0102	003626 0102	003638 9846	
500 mm	1700 mm	5	003603 9846	003615 0102	003627 0102	003639 9846	
	600 mm	2	003604 9846	003616 0102	003628 0102	003640 9846	
	800 mm	3	003605 9846	003617 0102	003629 0102	003641 9846	
600 mm	1100 mm	4	003606 9846	003618 0102	003630 0102	003642 9846	
	1700 mm	5	003607 9846	003619 0102	003631 0102	003643 9846	
	600 mm	2	003608 9846	003620 0102	003632 0102	003644 9846	
	800 mm	3	003609 9846	003621 0102	003633 0102	003645 9846	
	1100 mm	4	003610 9846	003622 0102	003634 0102	003646 9846	
	1700 mm	5	003611 9846	003623 0102	003635 0102	003647 9846	
450 mm		1	237070 9846	237073 0102	237076 0102	237079 9846	
500 mm		1	237071 9846	237074 0102	237077 0102	237080 9846	
600 mm		1	237072 9846	237075 0102	237078 0102	237081 9846	

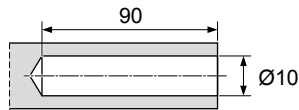
push-to-open (PTO) Typ I

TANDEM side

drill-in ejector

● 17-23 N

Grey	7035
Anthracite	7500
White	9966



Item no.

- 272072 7035**
- 272072 7500**
- 272072 9966**



TANDEM side

Cabinet width	450 mm	500 mm	600 mm
For clear inside heights:	from 600 mm, 800 mm, 1100 mm, 1700 mm		
Max. system weight:	25 kg	25 kg	25 kg
Reduced depth of cabinet shelves:	for trays: inside cabinet depth -175 mm for Youboxes: inside cabinet depth -135 mm		

ARENA style Chrome Ice white Ice white	ARENA style Chrome Ice white Silver	ARENA classic Chrome Ice white Silver	ARENA classic Chrome Grey Silver	ARENA classic Silver Ice white Silver	ARENA classic Silver Grey Silver	Metal basket Chrome Silver	Metal basket Silver
003648 0005	003660 0005	003672 0005	003684 0005	003672 0102	003684 0102	003696 0005	003696 0102
003649 0005	003661 0005	003673 0005	003685 0005	003673 0102	003685 0102	003697 0005	003697 0102
003650 0005	003662 0005	003674 0005	003686 0005	003674 0102	003686 0102	003698 0005	003698 0102
003651 0005	003663 0005	003675 0005	003687 0005	003675 0102	003687 0102	003699 0005	003699 0102
003652 0005	003664 0005	003676 0005	003688 0005	003676 0102	003688 0102	003700 0005	003700 0102
003653 0005	003665 0005	003677 0005	003689 0005	003677 0102	003689 0102	003701 0005	003701 0102
003654 0005	003666 0005	003678 0005	003690 0005	003678 0102	003690 0102	003702 0005	003702 0102
003655 0005	003667 0005	003679 0005	003691 0005	003679 0102	003691 0102	003703 0005	003703 0102
003656 0005	003668 0005	003680 0005	003692 0005	003680 0102	003692 0102	003704 0005	003704 0102
003657 0005	003669 0005	003681 0005	003693 0005	003681 0102	003693 0102	003705 0005	003705 0102
003658 0005	003670 0005	003682 0005	003694 0005	003682 0102	003694 0102	003706 0005	003706 0102
003659 0005	003671 0005	003683 0005	003695 0005	003683 0102	003695 0102	003707 0005	003707 0102
237082 0005	237082 0005	237085 0005	237088 0005	237085 0102	237088 0102	237127 0005	237127 0102
237083 0005	237083 0005	237086 0005	237089 0005	237086 0102	237089 0102	237128 0005	237128 0102
237084 0005	237084 0005	237087 0005	237090 0005	237087 0102	237090 0102	237129 0005	237129 0102



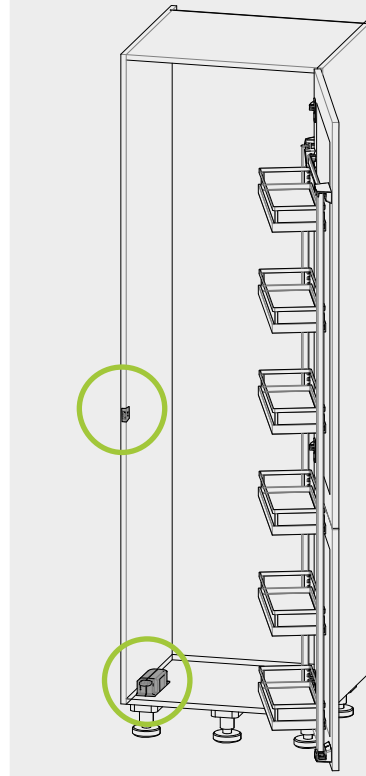
Assembly with predrilled cuphole so that front sensor is perfectly integrated into the carcaset.



Opening gap
ca. 44 mm



Install using adapter to take the sensor. Ideal for fronts with grip recesses.



eTouch for TANDEM side

Electrically assisted:
ca. 44 mm opening gap
Suitable for all cabinet widths
- can be retrofitted!
Set (consisting of drive, radio button, adapter for wireless pushbutton, power supply unit, mounting material)

Colour code:
Grey 7001

Identical to eTouch+ set for DISPENSA VVS-x,
TANDEM II, CONVOY Centro, CONVOY Premio

With EU-DIN plug **002440 7001**
With GB/UK plug **002441 7001**
With US/JP plug **002442 7001**
With AUS plug **002443 7001**

Item no.

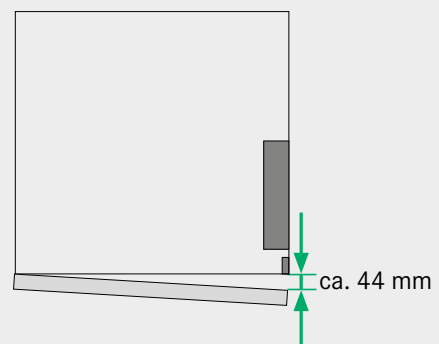
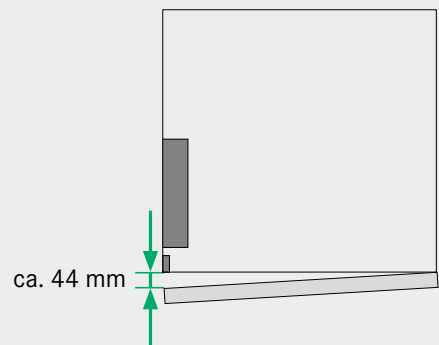


Assembly front sensor

Without adapter	Predrilled cuphole / insert (assembly aid for predrilled cuphole included)
With adapter	Screw in place / insert (3 universal screws 3.5 x 12 included)
Power supply	Battery CR 2032 3V (supplied)
Motor	
Mains connection	Hollow plug 2.5/5.5 mm; 1.5 m cable Black
Voltage	24 VDC, ≥ 1,5 A
Rated power	30 Watt
Standby power	0.5 Watt
Dimensions	157 x 45 x 47 mm (BxDxH)
Weight	0.2 kg
Max. pull-out weight	120 kg
Housing colour	Grey (7001)
Product requirements	TANDEM side with SoftSTOPPpro and SoftSTOPPplus
Assembly materials (supplied)	3 universal screws 4 x 16
Motor position	TANDEM side: opposite hinge side
Electrically assisted	Opening gap ca. 44 mm

Power supply unit

Primary secondary	100-240 V; 0,8 A 50/60 Hz 24 Volt
---------------------	-------------------------------------



TANDEM II

THE PANTRY IN THE REFRIGERATOR PRINCIPLE

KESSEBÖHMER



Technical Support

Short-URL:
<https://kbgo.to/supe>



Product Information

Short-URL:
<https://kbgo.to/td2e>

TANDEM II

VARIANTS



THE PERFECT TANDEM SOLUTION FOR EACH DIFFERENT STORAGE UNIT.

One option is a TANDEM side shelf on the door combined with conventional shelves in the cabinet. Another is the comfort of a classic TANDEM. Either option can be upgraded with one or more of the flexible YouBox_x sets for optimal storage organization. There's a Kesseböhmer TANDEM solution for every level of value and functionality.



TANDEM side



TANDEM II



TANDEM II with Youbox_x

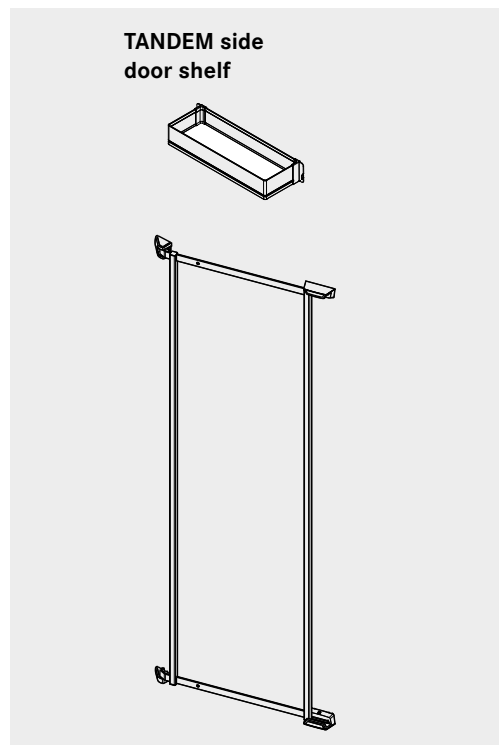
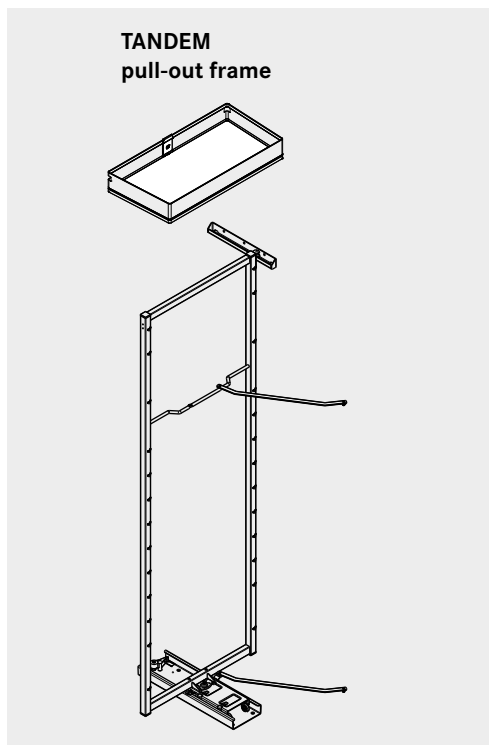
TANDEM II

IDEAL COMBINED WITH A TANDEM PULL-OUT SHELF



COMBINING THE NEW TANDEM SIDE DOOR SHELF WITH THE EXISTING TANDEM PULL-OUT SHELF IS AN IDEAL SOLUTION. It creates a complete, modular TANDEM storage solution.

The totally modular system makes it possible for end-users to create a solution that exactly suits their requirements and lifestyle. All the trays are fully height adjustable.

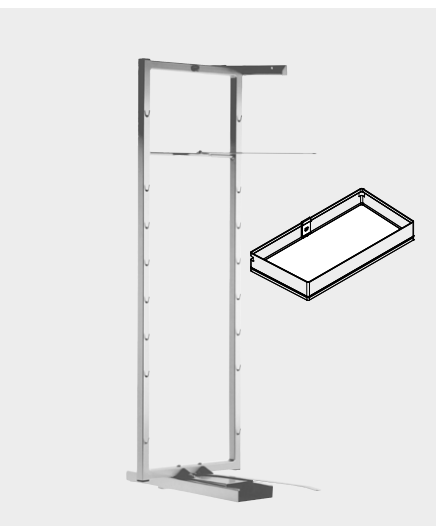


TANDEM II

Cabinet width	450 mm	500 mm	600 mm
Clear inside width:	≥ 412 mm	≥ 462 mm	≥ 562 mm
Clear inside depth:	≥ 500 mm	≥ 500 mm	≥ 500 mm
Clear inside height:	from 1.100 mm	from 1.100 mm	from 800 mm
	from 1.700 mm	from 1.700 mm	from 1.700 mm
Opening angle:	110°	110°	110°
max. load with 6 shelves:	Rear element: 60 kg Door element: 25 kg	Rear element: 60 kg Door element: 25 kg	Rear element: 60 kg Door element: 25 kg

TANDEM II pull-out shelf set

consisting of fittings and trays



	ARENA pure	ARENA pure	ARENA pure	ARENA style
Railing	Anthracite	Silver	Silver	Anthracite
Base panel colour	Anthracite	Ice white	Grey	Anthracite
Frame	Anthracite	Silver	Silver	Anthracite

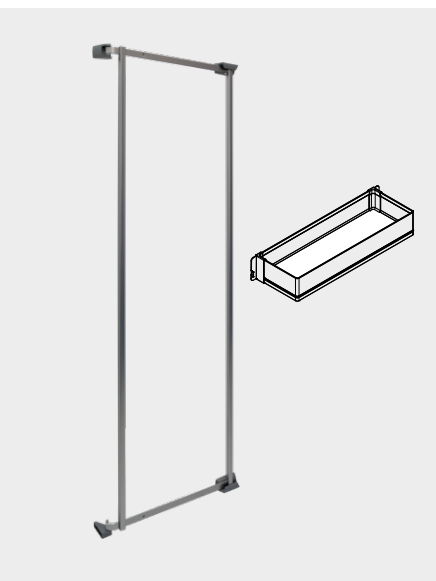
ARENA^{plus}
Anti-slip coating

Cabinet width	Cabinet width	Number shelves				
450 mm	1100 mm	4	003520 9846	003527 0102	003534 0102	003541 9846
	1700 mm	5	003521 9846	003528 0102	003535 0102	003542 9846
500 mm	1100 mm	4	003522 9846	003529 0102	003536 0102	003543 9846
	1700 mm	5	003523 9846	003530 0102	003537 0102	003544 9846
600 mm	800 mm	3	003524 9846	003531 0102	003538 0102	003545 9846
	1100 mm	4	003525 9846	003532 0102	003539 0102	003546 9846
	1700 mm	5	003526 9846	003533 0102	003540 0102	003547 9846

450 mm	1	237046 9846	237049 0102	237052 0102	237055 9846
500 mm	1	237047 9846	237050 0102	237053 0102	237056 9846
600 mm	1	237048 9846	237051 0102	237054 0102	237057 9846

TANDEM side door shelf set

consisting of fittings and trays



	ARENA pure	ARENA pure	ARENA pure	ARENA style
Railing	Anthracite	Silver	Silver	Anthracite
Base panel colour	Anthracite	Ice white	Grey	Anthracite
Frame	Anthracite	Silver	Silver	Anthracite

ARENA^{plus}
Anti-slip coating

Cabinet width	Cabinet height	Number shelves				
450 mm	1100 mm	4	003602 9846	003614 0102	003626 0102	003638 9846
	1700 mm	5	003603 9846	003615 0102	003627 0102	003639 9846
500 mm	1100 mm	4	003606 9846	003618 0102	003630 0102	003642 9846
	1700 mm	5	003607 9846	003619 0102	003631 0102	003643 9846
600 mm	800 mm	3	003609 9846	003621 0102	003633 0102	003645 9846
	1100 mm	4	003610 9846	003622 0102	003634 0102	003646 9846
	1700 mm	5	003611 9846	003623 0102	003635 0102	003647 9846

TANDEM II extra trays

450 mm	1	237070 9846	237073 0102	237076 0102	237079 9846
500 mm	1	237071 9846	237074 0102	237077 0102	237080 9846
600 mm	1	237072 9846	237075 0102	237078 0102	237081 9846

push-to-open (PTO) Typ III

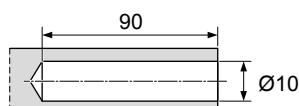
TANDEM

drill-in ejector

● 26-48 N

Grey	7035
Anthracite	7500
White	9966

272074 7035
272074 7500
272074 9966



ARENA style	ARENA style	ARENA classic	ARENA classic	ARENA classic	ARENA classic	Metal basket	Metal basket
Chrome	Chrome	Chrome	Chrome	Silver	Silver	Chrome	Silver
Ice white	Ice white	Ice white	Grey	Ice white	Grey		
Ice white	Silver	Silver	Silver	Silver	Silver	Silver	Silver



003548 0005	003555 0005	003562 0005	003569 0005	003562 0102	003569 0102	003576 0005	003576 0102
003549 0005	003556 0005	003563 0005	003570 0005	003563 0102	003570 0102	003577 0005	003577 0102
003550 0005	003557 0005	003564 0005	003571 0005	003564 0102	003571 0102	003578 0005	003578 0102
003551 0005	003558 0005	003565 0005	003572 0005	003565 0102	003572 0102	003579 0005	003579 0102
003552 0005	003559 0005	003566 0005	003573 0005	003566 0102	003573 0102	003580 0005	003580 0102
003553 0005	003560 0005	003567 0005	003574 0005	003567 0102	003574 0102	003581 0005	003581 0102
003554 0005	003561 0005	003568 0005	003575 0005	003568 0102	003575 0102	003582 0005	003582 0102

237058 0005	237058 0005	237061 0005	237064 0005	237061 0102	237064 0102	237067 0005	237067 0102
237059 0005	237059 0005	237062 0005	237065 0005	237062 0102	237065 0102	237068 0005	237068 0102
237060 0005	237060 0005	237063 0005	237066 0005	237063 0102	237066 0102	237069 0005	237069 0102

ARENA style	ARENA style	ARENA classic	ARENA classic	ARENA classic	ARENA classic	Metal basket	Metal basket
Chrome	Chrome	Chrome	Chrome	Silver	Silver	Chrome	Silver
Ice white	Ice white	Ice white	Grey	Ice white	Grey		
Ice white	Silver	Silver	Silver	Silver	Silver	Silver	Silver



003650 0005	003662 0005	003674 0005	003686 0005	003674 0102	003686 0102	003698 0005	003698 0102
003651 0005	003663 0005	003675 0005	003687 0005	003675 0102	003687 0102	003699 0005	003699 0102
003654 0005	003666 0005	003678 0005	003690 0005	003678 0102	003690 0102	003702 0005	003702 0102
003655 0005	003667 0005	003679 0005	003691 0005	003679 0102	003691 0102	003703 0005	003703 0102
003657 0005	003669 0005	003681 0005	003693 0005	003681 0102	003693 0102	003705 0005	003705 0102
003658 0005	003670 0005	003682 0005	003694 0005	003682 0102	003694 0102	003706 0005	003706 0102
003659 0005	003671 0005	003683 0005	003695 0005	003683 0102	003695 0102	003707 0005	003707 0102

237082 0005	237082 0005	237085 0005	237088 0005	237085 0102	237088 0102	237127 0005	237127 0102
237083 0005	237083 0005	237086 0005	237089 0005	237086 0102	237089 0102	237128 0005	237128 0102
237084 0005	237084 0005	237087 0005	237090 0005	237087 0102	237090 0102	237129 0005	237129 0102

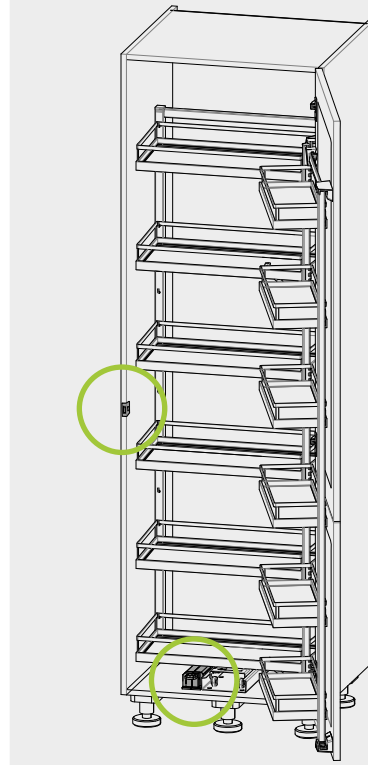


Assembly with predrilled cuphole so that front sensor is perfectly integrated into the carcaset.

Opening gap
ca. 44 mm



Install using adapter to take the sensor. Ideal for fronts with grip recesses.



eTouch for TANDEM II

Electrically assisted:
ca. 44 mm opening gap
Suitable for all cabinet widths
- can be retrofitted!
Set (consisting of drive, radio button, adapter for wireless pushbutton, power supply unit, mounting material)

Colour code:
Grey 7001

Identical to eTouch+ set for DISPENSA VVS-x,
TANDEM side, CONVOY Centro, CONVOY Premio

With EU-DIN plug **002440 7001**
With GB/UK plug **002441 7001**
With US/JP plug **002442 7001**
With AUS plug **002443 7001**

Item no.

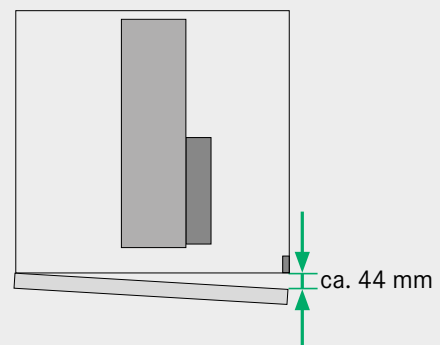
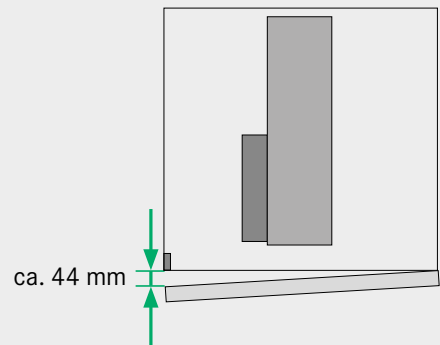


Assembly front sensor

Without adapter	Predrilled cuphole / insert (assembly aid for predrilled cuphole included)
With adapter	Screw in place / insert (3 universal screws 3.5 x 12 included)
Power supply	Battery CR 2032 3V (supplied)
Motor	
Mains connection	Hollow plug 2.5/5.5 mm; 1.5 m cable Black
Voltage	24 VDC, ≥ 1,5 A
Rated power	30 Watt
Standby power	0.5 Watt
Dimensions	157 x 45 x 47 mm (BxDxH)
Weight	0.2 kg
Max. pull-out weight	120 kg
Housing colour	Grey (7001)
Product requirements	TANDEM II with SoftSTOPPpro and SoftSTOPPplus
Assembly materials (supplied)	3 universal screws 4 x 16
Motor position	TANDEM II: opposite hinge side
Electrically assisted	Opening gap ca. 44 mm

Power supply unit

Primary | secondary 100-240 V; 0,8 A 50/60 Hz | 24 Volt



Youbox_x-SETS

WITH TANDEM SIDE



THE YOUBOX_x SYSTEM MAKES IT EASY TO CREATE THE TOTALLY CUSTOMIZED STORAGE SOLUTION YOU'LL LOVE TO USE.

For a start, there's a choice of 15 Youbox_x sets for the TANDEM side door shelf – ready for any cabinet width, function or value level. Each end-user can now configure their own customized organization system.

They can choose – and change – the vertical positions of Youbox_xes and trays to suit the height of the contents. The Youbox_x support rail is simply hooked onto the frame.

It's so easy to set up and change this storage solution with its huge choice of trays and different-sized boxes. Being organized has suddenly become fun.



1.0-L-box

Dimensions (L x B x H):
112 x 147 x 95 mm



2.0-L-box

Dimensions (L x B x H):
112 x 147 x 195 mm



2.1-L-box

Dimensions (L x B x H):
112 x 294 x 95 mm



3.2-L-box

Dimensions (L x B x H):
112 x 441 x 95 mm

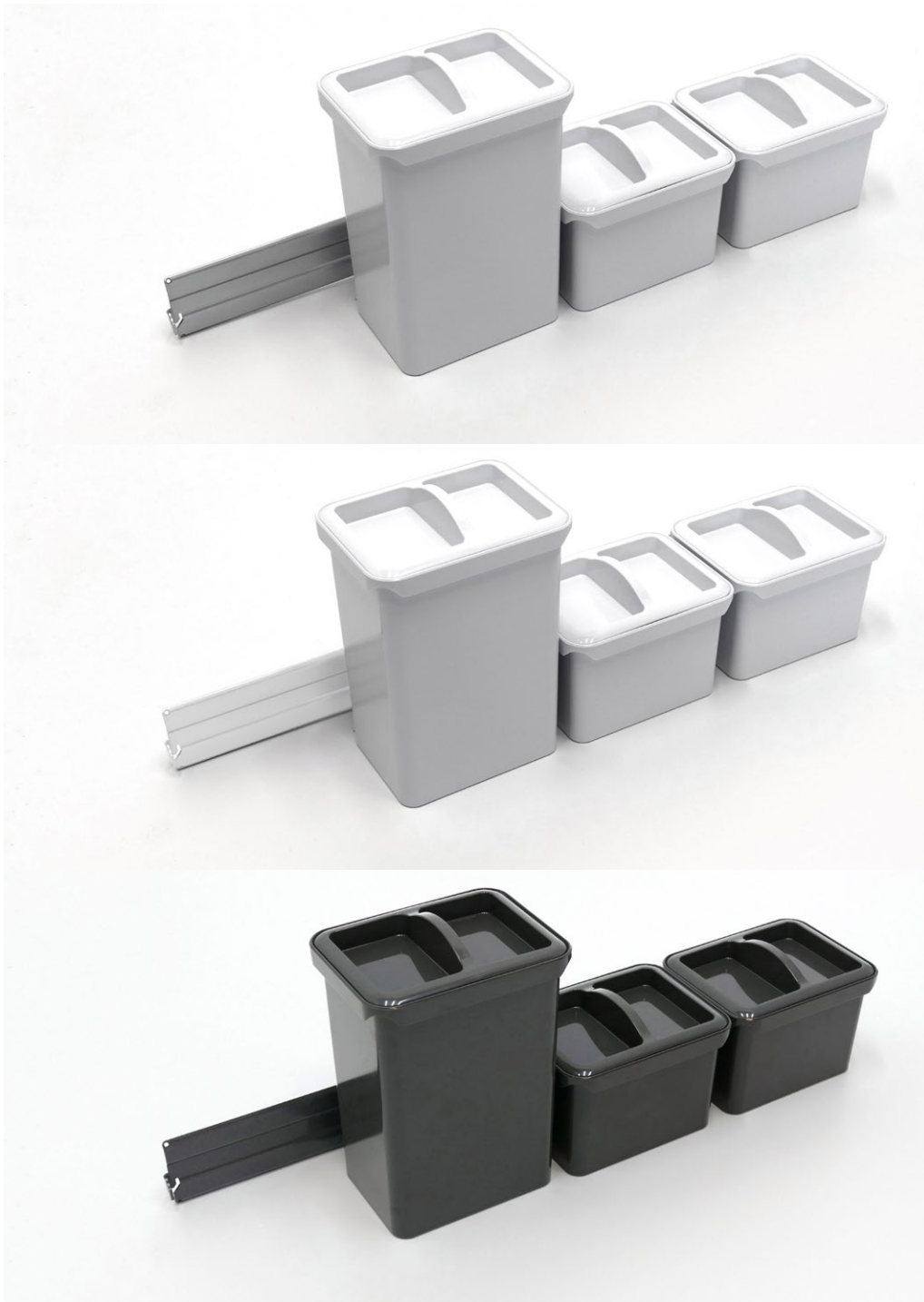


A CHOICE OF COLOURS

INSIDE YOUR STORAGE UNIT



For a silver or white TANDEM side door shelf with a silver or white finish, Kesseböhmer offers Youbox_x sets with white boxes and a silver- or white-coated carrier rail. For an anthracite coloured door shelf, users might choose anthracite-coloured boxes with an anthracite coloured rail.



	For cabinet width:	Item no.
TANDEM side Youbox_x set 1		
consisting of:	450 mm	261109 0102
1 box (2.1 L)		261109 9966
1 divider		261109 9846
1 support rail		
Farbnummer:		
Silver	0102 (support rail Silver/Youbox _x white)	
Ice white	9966 (support rail white/Youbox _x white)	
Anthracite	9846 (support rail Anthracite/Youbox _x Anthracite)	



TANDEM side Youbox_x set 2		
consisting of:	500 mm	261110 0102
1 box (2.1 L)		261110 9966
1 divider		261110 9846
1 support rail		
Colour code:		
Silver	0102 (support rail Silver/Youbox _x white)	
Ice white	9966 (support rail white/Youbox _x white)	
Anthracite	9846 (support rail Anthracite/Youbox _x Anthracite)	



TANDEM side Youbox_x set 3		
consisting of:	600 mm	261111 0102
1 box (3.2 L)		261111 9966
2 divider		261111 9846
1 support rail		
Colour code:		
Silver	0102 (support rail Silver/Youbox _x white)	
Ice white	9966 (support rail white/Youbox _x white)	
Anthracite	9846 (support rail Anthracite/Youbox _x Anthracite)	



TANDEM side Youbox_x set 4		
consisting of:	450 mm	261112 0102
2 boxes (1.0 L)		261112 9966
2 lids		261112 9846
1 support rail		
Colour code:		
Silber	0102 (support rail Silver/Youbox _x white)	
Ice white	9966 (support rail white/Youbox _x white)	
Anthracite	9846 (support rail Anthracite/Youbox _x Anthracite)	



TANDEM side Youbox_x set 5		
consisting of:	500 mm	261113 0102
2 box (1.0 L)		261113 9966
2 lids		261113 9846
1 support rail		
Colour code:		
Silver	0102 (support rail Silver/Youbox _x white)	
Ice white	9966 (support rail white/Youbox _x white)	
Anthracite	9846 (support rail Anthracite/Youbox _x Anthracite)	





Item no. For cabinet width:

261114 0102 600 mm
261114 9966
261114 9846

TANDEM side Youbox_x set 6

consisting of:
 3 boxes (1.0 L)
 3 lids
 1 support rail

Colour code:
 Silver 0102 (support rail Silver/Youbox_x white)
 Ice white 9966 (support rail white/Youbox_x white)
 Anthracite 9846 (support rail Anthracite/Youbox_x Anthracite)



261115 0102 600 mm
261115 9966
261115 9846

TANDEM side Youbox_x set 7

consisting of:
 1 box (2.1 L)
 1 box (1.0 L)
 1 lid
 1 divider
 1 support rail

Colour code:
 Silver 0102 (support rail Silver/Youbox_x white)
 Ice white 9966 (support rail white/Youbox_x white)
 Anthracite 9846 (support rail Anthracite/Youbox_x Anthracite)



261116 0102 450 mm
261116 9966
261116 9846

TANDEM side Youbox_x set 8

consisting of:
 3 hooks
 1 support rail

Colour code:
 Silver 0102 (support rail Silver/Youbox_x white)
 Ice white 9966 (support rail white/Youbox_x white)
 Anthracite 9846 (support rail Anthracite/Youbox_x Anthracite)

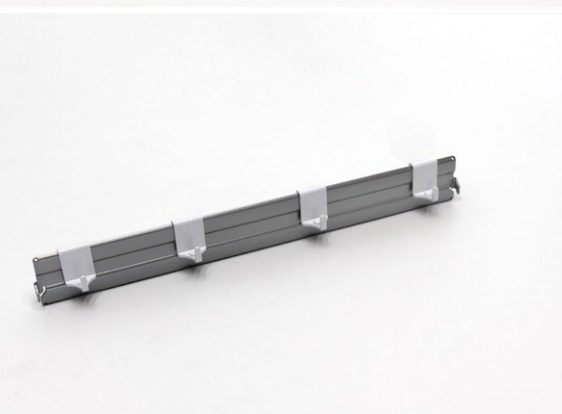


261117 0102 500 mm
261117 9966
261117 9846

TANDEM side Youbox_x set 9

consisting of:
 3 hooks
 1 support rail

Colour code:
 Silver 0102 (support rail Silver/Youbox_x white)
 Ice white 9966 (support rail white/Youbox_x white)
 Anthracite 9846 (support rail Anthracite/Youbox_x Anthracite)



261118 0102 600 mm
261118 9966
261118 9846

TANDEM side Youbox_x set 10

consisting of:
 4 hooks
 1 support rail

Colour code:
 Silver 0102 (support rail Silver/Youbox_x white)
 Ice white 9966 (support rail white/Youbox_x white)
 Anthracite 9846 (support rail Anthracite/Youbox_x Anthracite)

For cabinet
width:

Item no.

TANDEM side Youbox_x set 11

consisting of: 600 mm
1 box (2.1 L)
1 box (2.0 L)
1 lid
1 divider
1 support rail

Colour code:

Silver 0102 (support rail Silver/Youbox_x white)
Ice white 9966 (support rail white/Youbox_x white)
Anthracite 9846 (support rail Anthracite/Youbox_x Anthracite)

261119 0102
261119 9966
261119 9846



TANDEM side Youbox_x set 12

consisting of: 600 mm
1 box (2.0 L)
2 boxes (1.0 L)
3 lids
1 support rail

Colour code:

Silver 0102 (support rail Silver/Youbox_x white)
Ice white 9966 (support rail white/Youbox_x white)
Anthracite 9846 (support rail Anthracite/Youbox_x Anthracite)

261120 0102
261120 9966
261120 9846



TANDEM side Youbox_x set 13

consisting of: 450 mm
2 boxes (2.0 L)
2 lids
1 support rail

Colour code:

Silver 0102 (support rail Silver/Youbox_x white)
Ice white 9966 (support rail white/Youbox_x white)
Anthracite 9846 (support rail Anthracite/Youbox_x Anthracite)

261121 0102
261121 9966
261121 9846



TANDEM side Youbox_x set 14

consisting of: 500 mm
2 boxes (2.0 L)
2 lids
1 support rail

Colour code:

Silver 0102 (support rail Silver/Youbox_x white)
Ice white 9966 (support rail white/Youbox_x white)
Anthracite 9846 (support rail Anthracite/Youbox_x Anthracite)

261122 0102
261122 9966
261122 9846



TANDEM side Youbox_x set 15

consisting of: 600 mm
1 box (2.0 L)
1 box (2.1 L)
3 lids
1 divider
1 support rail

Colour code:

Silver 0102 (support rail Silver/Youbox_x white)
Ice white 9966 (support rail white/Youbox_x white)
Anthracite 9846 (support rail Anthracite/Youbox_x Anthracite)

235493 0102
235493 9966
235493 9846



TANDEM solo

PERFECT AND FLEXIBLE
STORAGE SOLUTIONS

 KESSEBÖHMER



Technical Support

Short-URL:
<https://kbgo.to/supe>



Product Information

Short-URL:
<https://kbgo.to/tdoe>







Mounted on cabinet side panel
for an easy fit in any
cabinet height –
also good for tall cabinets

Height-adjustable baskets

STANDARD WITH:

ARENA^{plus}
Anti-slip coating

SOFTSTOPPRO

As the door opens, the fitting
glides automatically forward
towards the user

New exclusive
opening damping

Hook-on tray TANDEM solo

Railing		ARENA pure	ARENA pure	ARENA pure	ARENA style
Base panel colour		Anthracite	Silver	Silver	Anthracite
		Anthracite	Ice white	Grey	Anthracite
ARENA^{plus} <i>Anti-slip coating</i>					
Cabinet width	PU				
450 mm	2 pieces	236355 9846	236361 0102	236367 0102	235533 9846
450 mm	3 pieces	236356 9846	236362 0102	236368 0102	235534 9846
500 mm	2 pieces	236357 9846	236363 0102	236369 0102	235536 9846
500 mm	3 pieces	236358 9846	236364 0102	236370 0102	235537 9846
600 mm	2 pieces	236359 9846	236365 0102	236371 0102	235539 9846
600 mm	3 pieces	236360 9846	236366 0102	236372 0102	235540 9846

TANDEM solo fitting set

Cabinet width	450 mm	500 mm	600 mm
Clear inside width:	≥ 412-4180	≥ 462-468	≥ 562-568
Clear inside depth:	≥ 495	≥ 495	≥ 495
Opening angle:	110°	110°	110°
Pull-out travel:	290	330	330
max. Payload:	80 kg	80 kg	80 kg

Fitting-Set TANDEM solo

consisting of:

- 1 frame
- 1 top brace for 16-19 mm side panel thickness
- 1 set door connectors
- 1 set control lever
- 1 bottom runner
- 1 carcass profile bottom
- 1 SoftSTOPpro pull-out damper

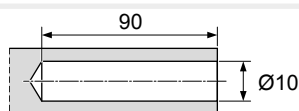
Clear inside width (mm)	Frame height	For cabinet width	Item no.	Item no.	Item no.
			Ice white	Silver	Anthracitee
≥1300	1136	450	013460 9966	013460 0102	013460 9846
≥1400	1236		013461 9966	013461 0102	013461 9846
≥1700	1536		013462 9966	013462 0102	013462 9846
≥1800	1636		013463 9966	013463 0102	013463 9846
≥1300	1136	500	013467 9966	013467 0102	013467 9846
≥1400	1236		013468 9966	013468 0102	013468 9846
≥1700	1536		013469 9966	013469 0102	013469 9846
≥1800	1636		013470 9966	013470 0102	013470 9846
≥1300	1136	600	013474 9966	013474 0102	013474 9846
≥1400	1236		013475 9966	013475 0102	013475 9846
≥1700	1536		013476 9966	013476 0102	013476 9846
≥1800	1636		013477 9966	013477 0102	013477 9846



push-to-open (PTO) Typ II

drill-in ejector

● 22-34 N



272073 7035
272073 7500
272073 9966

Can also be used with PTO housing (272075 7035)

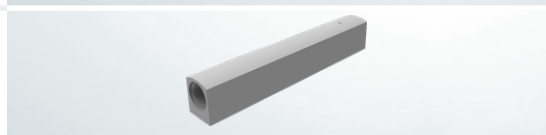


PTO housing

for screw fixing

Grey 7035
 Anthracite 7500
 White 9966

272075 7035
272075 7500
272075 9966



ARENA style	ARENA classic	ARENA classic	ARENA classic	ARENA classic	Railing
Chrome	Chrome	Chrome	Silver	Silver	Base panel colour
Ice white	Ice white	Grey	Ice white	Grey	
235052 0005	235061 0005	235069 0005	235061 0102	235069 0102	Cabinet width
235053 0005	235062 0005	235070 0005	235062 0102	235070 0102	450 mm
235055 0005	235064 0005	235071 0005	235064 0102	235071 0102	450 mm
235056 0005	235065 0005	235072 0005	235065 0102	235072 0102	500 mm
235058 0005	235067 0005	235073 0005	235067 0102	235073 0102	500 mm
235059 0005	235068 0005	235074 0005	235068 0102	235074 0102	600 mm
					600 mm





TANDEM diagonal – the practical final touch for a row of tall cabinets.



Technical Support

Short-URL:
<https://kbgo.to/supe>



Product Information

Short-URL:
<https://kbgo.to/tdde>

Individual planning solution thanks to **bevelled front panel**.

TANDEM diagonal is a planning solution that gives you even more opportunities to create individual designs for tall cabinets.

Especially suitable for small kitchens!

No adjustment of fittings necessary

Access from three sides

Height-adjustable trays

Stable fixing of trays



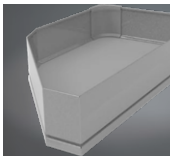

Fittings with low overall height



Hook-on tray for TANDEM diagonal

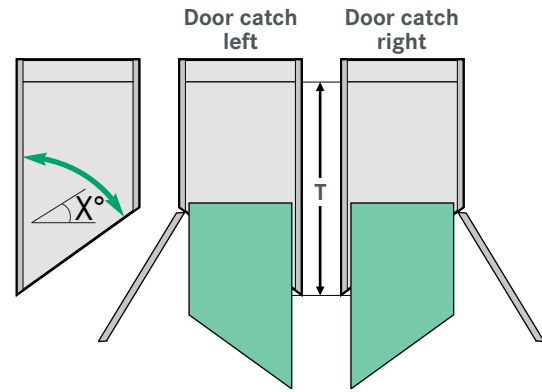
	ARENA pure	ARENA pure	ARENA pure	ARENA style	ARENA style
Railing	Anthracite	Silver	Silver	Anthracite	Chrome
Base panel colour	Anthracite	Ice white	Grey	Anthracite	Ice white

ARENA^{plus}
Anti-slip coating

Door catch	PU					
left	2 pieces	238153 9846	238157 0102	238161 0102	237135 9846	237139 0005
	3 pieces	238154 9846	238158 0102	238162 0102	237136 9846	237140 0005
right	2 pieces	238155 9846	238159 0102	238163 0102	237137 9846	237141 0005
	3 pieces	238156 9846	238160 0102	238164 0102	237138 9846	237142 0005

TANDEM diagonal

X° =	51°-53°	53°-60°
T = Clear inside depth:	≥ 515 mm	≥ 505 mm
B = Clear inside width:	262-268 mm	262-268 mm
Zuladung:	≤ 60 kg	≤ 60 kg
System weight:	≤ 72 kg	≤ 72 kg

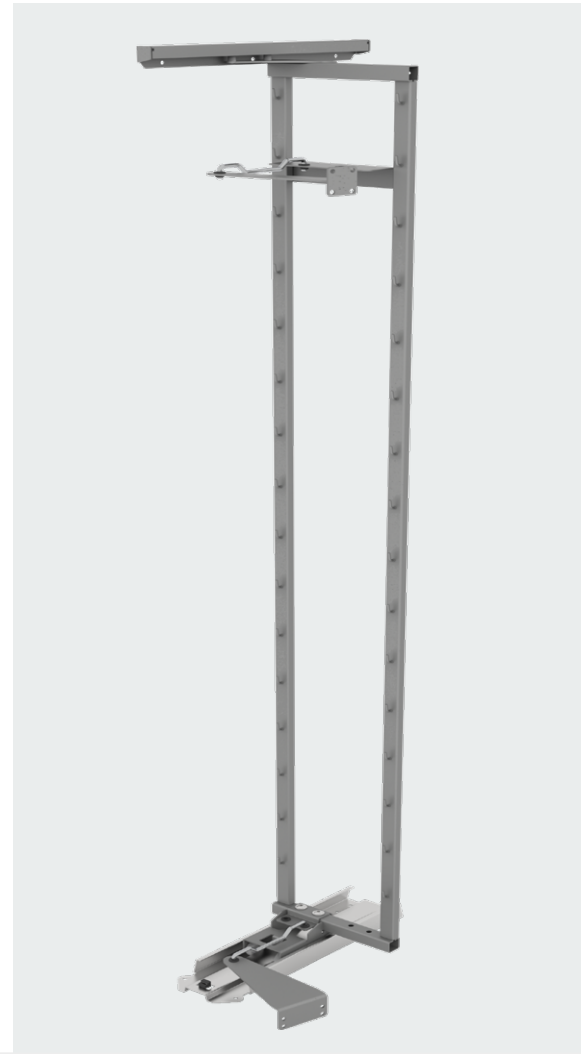


TANDEM diagonal fitting set

consisting of:

- 1 TANDEM diagonal pull-out frame
 - 1 carcass rail, top
 - 1 carcass rail, bottom
 - 1 set of door connectors
 - 1 guide plate for pull-out frame
 - 1 set of door followers
- For cabinet width
300 mm

Cabinet width	Door catch	Clear inside height	Opening angle	Anthracite	Silver
300 mm	left	≥ 1160 mm	51-55°	003800 9846	003800 0102
		≥ 1760 mm		003801 9846	003801 0102
		≥ 1160 mm	56-60°	003802 9846	003802 0102
		≥ 1760 mm		003803 9846	003803 0102
300 mm	right	≥ 1160 mm	51-55°	003804 9846	003804 0102
		≥ 1760 mm		003805 9846	003805 0102
		≥ 1160 mm	56-60°	003806 9846	003806 0102
		≥ 1760 mm		003807 9846	003807 0102



ARENA classic	ARENA classic	ARENA classic	ARENA classic	Metal basket	Metal basket	Railing
Chrome	Chrome	Silver	Silver	Chrome	Silver	Base panel colour
Ice white	Grey	Ice white	Grey			
237143 0005	237147 0005	237143 0102	237147 0102	237621 0005	237621 0102	Cabinet width
237144 0005	237148 0005	237144 0102	237148 0102	238165 0005	238165 0102	300 mm
237145 0005	237149 0005	237145 0102	237149 0102	237622 0005	237622 0102	
237146 0005	237150 0005	237146 0102	237150 0102	238166 0005	238166 0102	



clever storage
by Kettnerbühner

FARFALLE IN PENTOLA

GHORBAN

CASALE
PASTA POMODORO
E BASILICO
KOMPOSITION
FÜR PASTA
MIT TOMATEN
UND BASILIKUM

FLORIN
DE SAL

FINE
OV

White pitcher and bowls on a pull-out tray.



Control panel with buttons and a slider.





TurnMotion II

ALL-ROUND, EFFORTLESS ACCESS



WITH TurnMotion II, THE FITTING REVOLVES EFFORTLESSLY TO MOVE ANY SIDE ROUND TO FACE YOU. EACH TRAY TURNS INDIVIDUALLY BY 360° IN EITHER DIRECTION SO THAT ANY SECTION OF THE CONTENTS CAN BE TURNED INTO CLEAR VIEW AND EASY REACH. This fitting is an ultra-practical solution for storage space that is above the ergonomically accessible height. It's also perfect for the often under-utilized space above integrated appliances.

Stops on each of the four sides lock the tray temporarily in position so that items can be lifted in or out safely. TurnMotion II trays are height adjustable so that you can position them at the height you need.

A complete set – for a fast fix! TurnMotion II comes ready prepared for fast, zero-error installation. The TurnMotion II design

concept puts the highest priority on quick and easy assembly and effortless, reliable operation. The mounting strips are simply screwed onto the carcass sides. This can be done either ahead of the carcass press or later on-site while the kitchen is being installed. The trays with the pre-mounted support arms are then hooked securely into the mounting strips. No tools are required!

The TurnMotion II is available in a single-tray or double-tray variant, making it ideal for any storage height – including, for example, the cabinet above the oven.

A TurnMotion II fitting can be easily retrofitted into any 60-cm tall cabinet. Wood screws are included in the package if the fitting is supplied for retrofitting or on-site assembly by a kitchen fitter.



Technical Support

Short-URL:
<https://kbgo.to/supe>



Product Information

Short-URL:
<https://kbgo.to/tm2e>



Item no. Dimensions (mm)

TurnMotion II Single Tray, ARENA Style

Turntable fitting for storage units,

For cabinet width
600 mm

set consisting of:

1 tray with support arms

2 mounting strips

incl. fixing screws

Installation
clearance height

236340 0005 ≥195 mm

Railing:

Chrome 0005

Base panel colour:

Ice white 0343

Support arms/mounting strips:

Ice white 9966

236341 9846

Railing:

Anthracite 9846

Base panel colour:

Anthracite 0342

Support arms/mounting strips:

Anthracite 9846



TurnMotion II Single Tray, ARENA Classic

Turntable fitting for storage units,

For cabinet width
600 mm

set consisting of:

1 tray with support arms

2 mounting strips

incl. fixing screws

Installation
clearance height

236342 0005 ≥195 mm

Railing:

Chrome 0005

Base panel colour:

Ice white 0343

Support arms/mounting strips:

Ice white 9966

236343 0005

Railing:

Chrome 0005

Base panel colour:

Grey 0316

Support arms/mounting strips:

Silver 0102

236342 0102

Railing:

Silver 0102

Base panel colour:

Ice white 0343

Support arms/mounting strips:

Ice white 9966

236343 0102

Railing:

Silver 0102

Base panel colour:

Grey 0316

Support arms/mounting strips:

Silver 0102



TurnMotion II Single Tray, ARENA pure

Turntable fitting for storage units,

For cabinet width
600 mm

set consisting of:

1 tray with support arms

2 mounting strips

incl. fixing screws

Installation
clearance height

236347 9846 ≥195 mm

Railing:

Anthracite 9846

Base panel colour:

Anthracite 0342

Support arms/mounting strips:

Anthracite 9846

236351 0102

Railing:

Silver 0102

Base panel colour:

Ice white 0343

Support arms/mounting strips:

Ice white 9966

236352 0102

Railing:

Silver 0102

Base panel colour:

Grey 0316

Support arms/mounting strips:

Silver 0102

TurnMotion II Double Tray, ARENA Style

Turntable fitting for storage units,
set consisting of:
2 trays with support arms
2 mounting strips
incl. fixing screws

Railing: Chrome 0005
Base panel colour: Ice white 0343
Support arms/mounting strips: Ice white 9966

Railing: Anthracite 9846
Base panel colour: Anthracite 0342
Support arms/mounting strips: Anthracite 9846

Dimensions (mm)

Item no.

For cabinet width
600 mm

Installation
clearance height
≥430 mm

235223 0005

235253 9846



TurnMotion II Double Tray, ARENA Classic

Turntable fitting for storage units,
set consisting of:
2 trays with support arms
2 mounting strips
incl. fixing screws

Railing: Chrome 0005
Base panel colour: Ice white 0343
Support arms/mounting strips: Ice white 9966

Railing: Chrome 0005
Base panel colour: Grey 0316
Support arms/mounting strips: Silver 0102

Railing: Silver 0102
Base panel colour: Ice white 0343
Support arms/mounting strips: Ice white 9966

Railing: Silver 0102
Base panel colour: Grey 0316
Support arms/mounting strips: Silver 0102

For cabinet width
600 mm

Installation
clearance height
≥430 mm

235224 0005

234949 0005

235224 0102

234949 0102



TurnMotion II Double Tray, ARENA pure

Turntable fitting for storage units,
set consisting of:
2 trays with support arms
2 mounting strips
incl. fixing screws

Railing: Anthracite 9846
Base panel colour: Anthracite 0342
Support arms/mounting strips: Anthracite 9846

Railing: Silver 0102
Base panel colour: Ice white 0343
Support arms/mounting strips: Ice white 9966

Railing: Silver 0102
Base panel colour: Grey 0316
Support arms/mounting strips: Silver 0102

For cabinet width
600 mm

Installation
clearance height
≥430 mm

236348 9846

236353 0102

236354 0102





BASE UNIT FITTINGS

CONTENTS



No. 15

Multifunctional



2:9

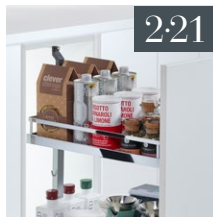


DISPENSA junior III

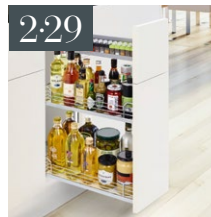
Third generation of a successful fitting

DISPENSA junior
SLIM

A master of small recesses



2:29

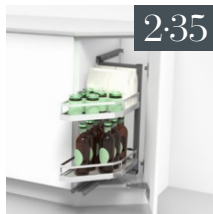


COMFORT II

Easy action –
extra convenience

TANDEM diagonal
junior

Elegantly angled



2:39



PORTERO

With practical lift-out basket

cleaningAGENT

Cleaning has never been so easy



Technical Support

Short-URL:
<https://kbgo.to/supe>



Product Information

Short-URL:
<https://kbgo.to/02e>

18.10.2021



No. 15

MAKES GREAT USE
OF NARROW GAPS

 KESSEBÖHMER



Technical Support

Short-URL:
<https://kbgo.to/supe>



Product Information

Short-URL:
<https://kbgo.to/n15e>

PUSH-TO-OPEN FOR NO. 15



push-to-open from Kesseböhmer is the handleless option of mechanical opening for the **No. 15 3D-X**.



Dimensions (mm) **Item no.**

push-to-open (PTO) Typ II

Drill-in ejector

● 22-34 N

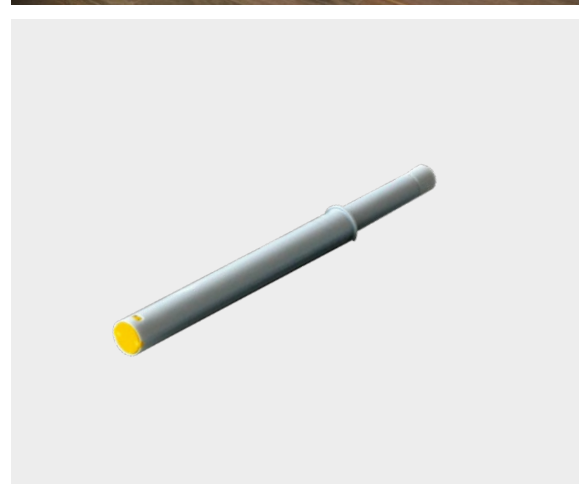
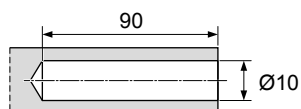
272073 7035

272073 7500

272073 9966

Can also be used with PTO housing
(272075 7035)

Grey 7035
Anthracite 7500
White 9966



PTO housing

for screw fixing

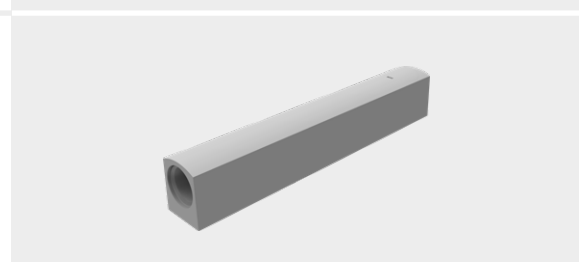
W x D x H
15 x 107 x 18

272075 7035

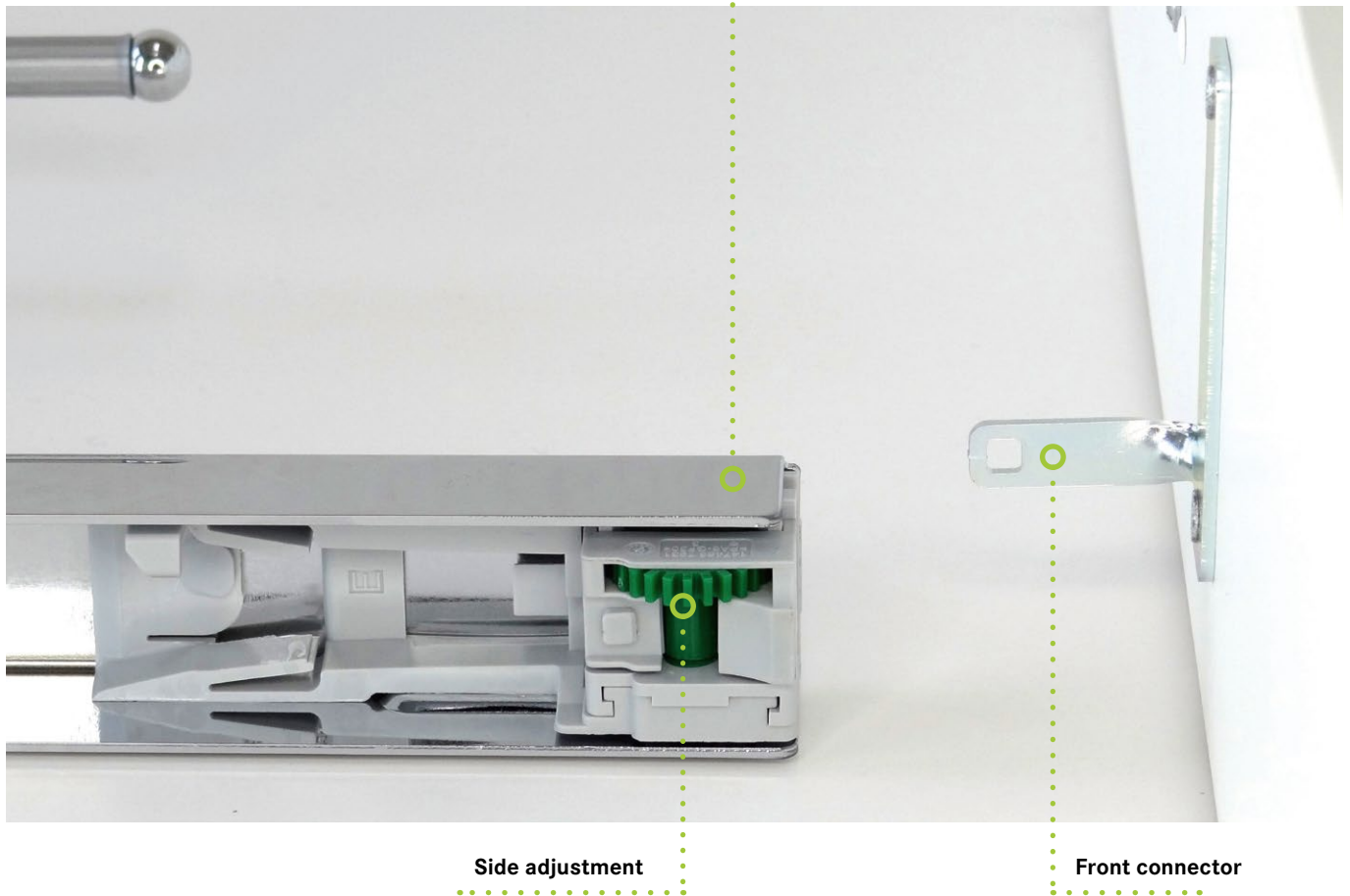
272075 7500

272075 9966

Grey 7035
Anthracite 7500
White 9966



Top front connection for towel rail and baking tray pull-out



No. 15

ULTRA-SLIM PULL-OUT WITH ClickFixx, NOW WITH 3D FRONT ADJUSTMENT

KESSEBÖHMER

TWO INTERFACE OPTIONS FOR THE 3D-X NO.15 PULL-OUT MAKE FOR EASY INTEGRATION IN ANY PRODUCTION

PROCESS: the fitting can now either be clipped onto the runner without tools and connected using a front panel connector!

3D front adjustment makes adjustment ultra-simple.

PRODUCT FEATURES

- ClickFixx: clip-on connection for fitting and runner and fitting and front panel
- Toolless 3D front adjustment
- Can be installed with or without front panel
- SoftSTOPPplus with self-closing

 ClickFixx

 3D AdjustFixx

Front panel connector

Toolless 3D front adjustment

Height and depth are adjusted on the bottom front connector. The top front connector with its 'floating' bearing automatically keeps the connectors parallel when bottom connector height is changed.

Top front connector for 2-tray pull-out

Bottom front connector for 2-tray fitting and for towel rail and baking tray pull-out

Side adjustment

Tilt adjustment

Height adjustment

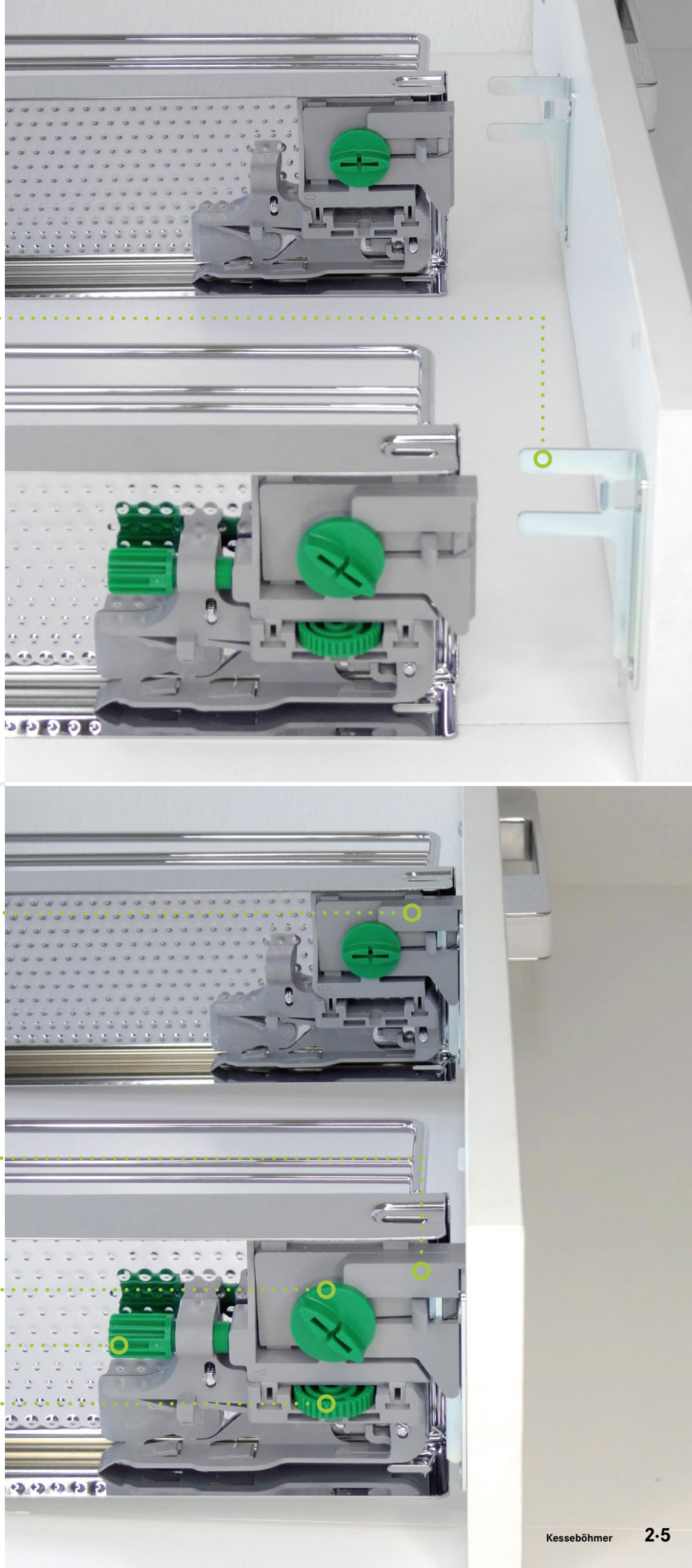
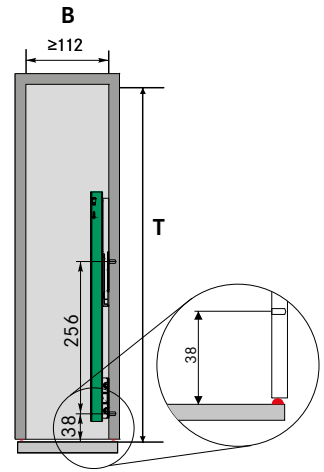
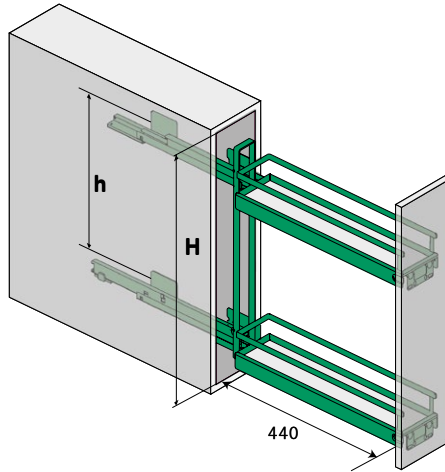




Fig.: Dimensions in mm



No.15 3D-X, 90° front panel angle

2 trays

B = Clear inside width:	≥ 112 mm
T = Clear inside depth:	≥ 481 mm
H = Clear inside height:	≥ 542 mm
h = Hole distance:	380 mm



Item no. Dimensions (mm)

For 90° base unit
Door mounted
right

**No.15 3D-X style,
2 trays**

Complete;
incl. incl. textured metal trays
and full-extension runners

233461 0005
233461 9846

Maximum load:
12 kg

Colour code:
Chrome 0005
Anthracite 9846

Standard with
SOFTSTOPP
damping



For 90° base unit
Door mounted
right

**No.15 3D-X classic,
2 trays**

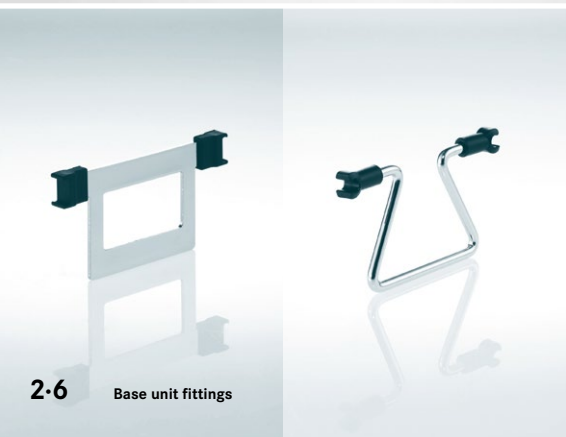
Complete;
incl. incl. textured metal trays
and full-extension runners

233460 0005
233460 0102

Maximum load:
12 kg

Colour code:
Chrome 0005
Silver 0102

Standard with
SOFTSTOPP
damping



260601 0005
260601 9846

Divider style (Fig. left)
for No.15

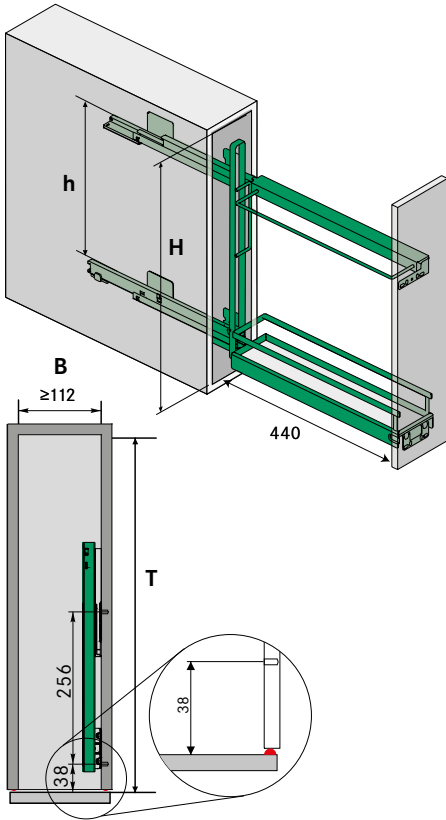
Colour code:
Chrome 0005
Anthracite 9846

260600 0005
260600 0102

Divider classic (Fig. right)
for No.15

Colour code:
Chrome 0005
Silver 0102

Fig.: Dimensions in mm



B = Clear inside width:	≥ 112 mm
T = Clear inside depth:	≥ 481 mm
H = Clear inside height:	≥ 592 mm
h = Hole distance:	380 mm



No.15 3D-X baking tray and tray pull-out style

complete; incl. full-extension runners

Colour code:

Chrome	0005
Anthracite	9846

Standard with



damping



Dimensions (mm)

Item no.

For 90° base unit
Door mounted
right

Maximum load:
12 kg

233469 0005

233469 9846



No.15 3D-X baking tray and tray pull-out classic

complete; incl. full-extension runners

Colour code:

Chrome	0005
Silver	0102

Standard with



damping



For 90° base unit
Door mounted
right

Maximum load:
12 kg

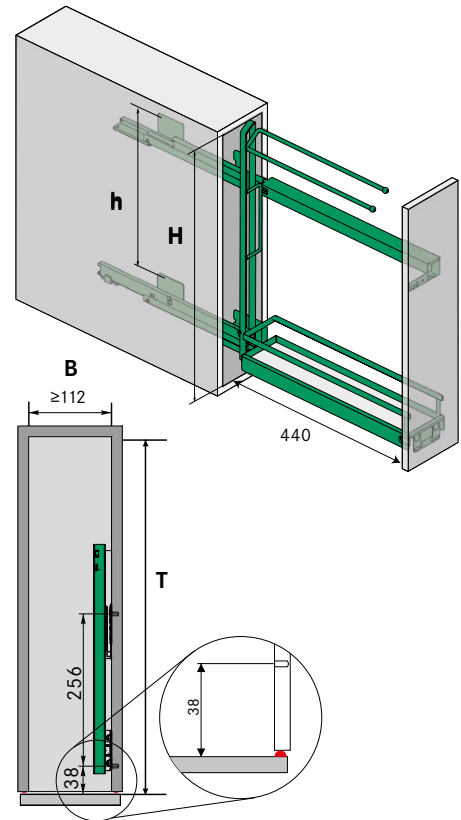
233468 0005

233468 0102





Fig.: Dimensions in mm



B = Clear inside width:	≥ 112 mm
T = Clear inside depth:	≥ 481 mm
H = Clear inside height:	≥ 592 mm
h = Hole distance:	380 mm



Item no. Dimensions (mm)

For 90° base unit
Door mounted
right

No.15 3D-X towel holder pull-out style
complete; incl. full-extension runners

Colour code:
Chrome 0005
Anthracite 9846

Maximum load:
12 kg

233465 0005
233465 9846

Standard with



For 90° base unit
Door mounted
right

No.15 3D-X towel holder pull-out classic
complete; incl. full-extension runners

Colour code:
Chrome 0005
Silver 0102

Maximum load:
12 kg

233464 0005
233464 0102

Standard with





DISPENSA junior III

THIRD GENERATION OF A SUCCESSFUL FITTING

KESSEBÖHMER



Technical Support

Short-URL:
<https://kbgo.to/supe>



Product Information

Short-URL:
<https://kbgo.to/dj3e>



STANDARD WITH:



ARENA^{plus}
Anti-slip coating



Easy access from both sides

Cabinet widths
300-600 mm

Easy height adjustment

Same choice of standard trays
as for tall DISPENSAs

Mounted on the bottom panel



DISPENSA junior III

THE LARDER UNIT UNDER THE WORKTOP



ALL THE TRAY STYLES DEVELOPED FOR THE TALL DISPENSA PULL-OUTS ALSO FIT A DISPENSA JUNIOR III MAKING IT EASY TO CREATE A HARMONIOUS LOOK BEHIND THE FRONTS IN A KITCHEN: THE DISPENSA FAMILY.

Keeping the same look and the same functionality – ARENA variants, easy height change, access from both sides – extends all the benefits of a tall larder pull-out to the base unit version as well.



DISPENSA junior III with symmetrical tray distribution

Suggested configuration:

- 1 fitting set
- 2 DISPENSA trays



Item no. Dimensions (mm)

- 005262 0102**
- 005262 9966**
- 005262 9846**

Cabinet width:
300

DISPENSA junior III

Fitting set
consisting of:
1 fitting
2 runners
1 set front connectors

Colour code:
Silver 0102
Ice white 9966
Anthracite 9846



- 005265 0102**
- 005265 9966**
- 005265 9846**

Cabinet width:
400

DISPENSA junior III

Fitting set
consisting of:
1 fitting
2 runners
1 set front connectors

Colour code:
Silver 0102
Ice white 9966
Anthracite 9846



- 005268 0102**
- 005268 9966**
- 005268 9846**

Cabinet width:
450

DISPENSA junior III

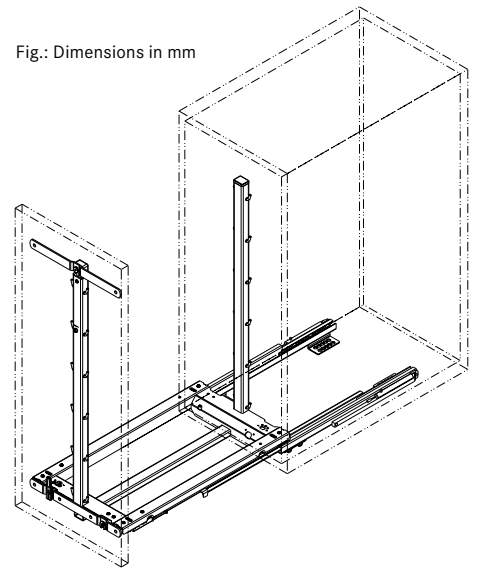
Fitting set
consisting of:
1 fitting
2 runners
1 set front connectors

Colour code:
Silver 0102
Ice white 9966
Anthracite 9846



LB = Clear inside width:	≥ Cabinet width B-40 mm
LT = Clear inside depth:	≥ 480 mm
LH = Clear inside height:	≥ 615 mm

Fig.: Dimensions in mm



DISPENSA junior III

- Fitting set
 consisting of:
 1 fitting
 2 runners
 1 set front connectors

Colour code:

Silver	0102
Ice white	9966
Anthracite	9846



Dimensions (mm)

Item no.

Cabinet width:
500

- 005271 0102**
- 005271 9966**
- 005271 9846**



DISPENSA junior III

- Fitting set
 consisting of:
 1 fitting
 2 runners
 1 set front connectors

Colour code:

Silver	0102
Ice white	9966
Anthracite	9846



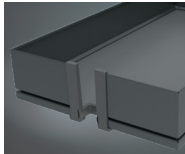

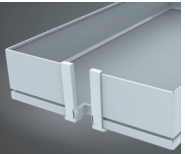
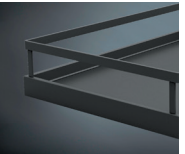
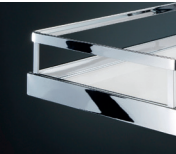
Cabinet width:
600

- 005272 0102**
- 005272 9966**
- 005272 9846**











Hook-on tray DISPENSA

		ARENA pure	ARENA pure	ARENA pure	ARENA style	ARENA style
Railing		Anthracite	Silver	Silver	Anthracite	Chrome
Base panel colour		Anthracite	Ice white	Grey	Anthracite	Ice white
ARENA^{plus}						
Anti-slip coating						
Cabinet width	PU					
300 mm	1 piece	236463 9846	236478 0102	236493 0102	260118 9846	231432 0005
300 mm	2 pieces	236464 9846	236479 0102	236494 0102	260119 9846	260133 0005
400 mm	1 piece	236466 9846	236481 0102	236496 0102	260121 9846	231433 0005
400 mm	2 pieces	236467 9846	236482 0102	236497 0102	260122 9846	260135 0005
450 mm	1 piece	236469 9846	236484 0102	236499 0102	260124 9846	260137 0005
450 mm	2 pieces	236470 9846	236485 0102	236500 0102	260125 9846	260138 0005
500 mm	1 piece	-	-	-	260127 9846	260140 0005
500 mm	2 pieces	-	-	-	260128 9846	260141 0005
600 mm	1 piece	-	-	-	260130 9846	260143 0005
600 mm	2 pieces	-	-	-	260131 9846	260144 0005



ARENA classic	ARENA classic	ARENA classic	ARENA classic	Metal basket	Metal basket	Railing Base panel colour
Chrome Ice white	Chrome Grey	Silver Ice white	Silver Grey	Chrome	Silver	
						Cabinet width
260146 0005	260161 0005	260146 0102	260161 0102	217781 0005	217781 0102	
260147 0005	260162 0005	260147 0102	260162 0102	001966 0005	001966 0102	300 mm
260149 0005	260164 0005	260149 0102	260164 0102	231573 0005	231573 0102	400 mm
260150 0005	260165 0005	260150 0102	260165 0102	001967 0005	001967 0102	400 mm
260152 0005	260167 0005	260152 0102	260167 0102	235021 0005	235021 0102	450 mm
260153 0005	260168 0005	260153 0102	260168 0102	001938 0005	001938 0102	450 mm
260155 0005	260170 0005	260155 0102	260170 0102	235023 0005	235023 0102	500 mm
260156 0005	260171 0005	260156 0102	260171 0102	001939 0005	001939 0102	500 mm
260158 0005	260173 0005	260158 0102	260173 0102	235025 0005	235025 0102	600 mm
260159 0005	260174 0005	260159 0102	260174 0102	001980 0005	001980 0102	600 mm

1.1-l dish



1.0-l box



2.0-l box



2.1-l box



3.2-l box



Youbox_x

VERSATILE
AND VARIABLE

 KESSEBÖHMER

THE Youbox_x SYSTEM MAKES IT EASY TO ORGANIZE THE SPACE INSIDE A KITCHEN CABINET TO EXACTLY SUIT THE USER'S WISHES. TO START WITH, THERE ARE FIVE SETS THAT ARE ALL COMPATIBLE AND CAN BE MIXED AND MATCHED AS REQUIRED. EACH USER CAN CONFIGURE THEIR OWN CUSTOMIZED ORGANIZATION SYSTEM.

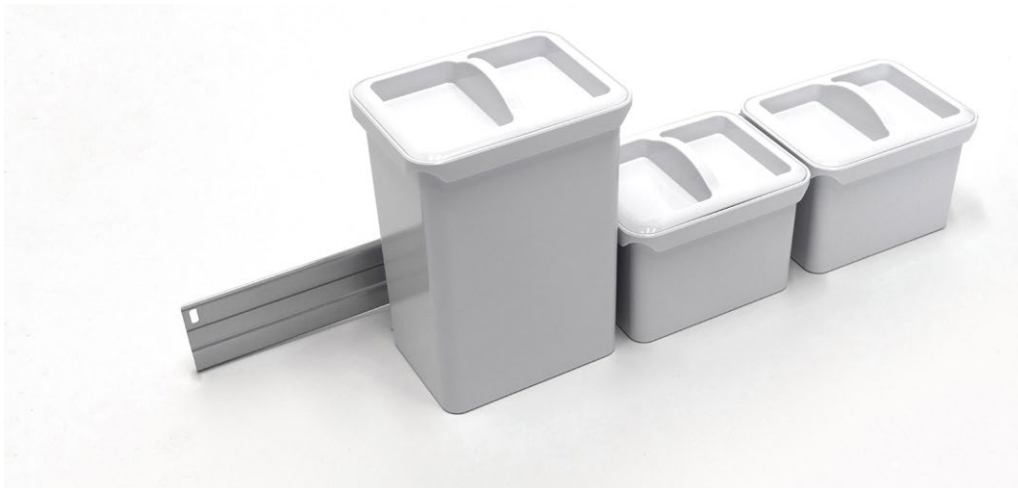
Compatible cabinets: Youbox_x was developed to provide extra storage options for the whole DISPENSA family. The traverse rail, onto which the Youbox_xes are clipped is simply hooked into the DISPENSA frame. Turning the traverse rail by 180° halves the grid distance (from 10 cm to 5 cm) for even more efficient use of storage space..

A CHOICE OF COLOURS

INSIDE YOUR STORAGE UNIT



For a silver or white DISPENSA junior III door shelf with a silver or white finish, Kesseböhmer offers Youboxx sets with white boxes and a silver- or white-coated carrier rail. For an Anthracite coloured fitting, users might choose Anthracite-coloured boxes with an Anthracite coloured rail.





Item no. Dimensions (mm)

005273 9966

005273 0102

005273 9846

BxDxH

115 x 150 x 95

115 x 300 x 95

115 x 150 x 195

Youbox_x Set 1

consisting of:

2 boxes (1.0 l)

1 box (2.1 l)

2 boxes (2.0 l)

1 slotted knife block

2 lids

2 transverse rails

Colour code: (Support rail/Youbox_x)

Silver 0102 (Silver/White)

Ice white 9966 (White/White)

Anthracite 9846 (Anthracite/Anthracite)



005274 0005

005274 0102

005274 9846

BxDxH

115 x 450 x 95

115 x 450 x 35

Youbox_x Set 2

consisting of:

1 box (3.2 l)

1 dish (1.1 l) with bottle rack

3 dividers, small

3 dividers, large

2 holders

Colour code: (Railing/Youbox_x)

Chrome 0005 (Chrome/White)

Silver 0102 (Silver/White)

Anthracite 9846 (Anthracite/Anthracite)

Only for DISPENSA junior III



005275 9966

005275 0102

005275 9846

BxDxH

115 x 150 x 95

115 x 300 x 95

Youbox_x Set 3

consisting of:

2 boxes (1.0 l)

2 boxes (2.1 l)

2 lids

1 divider, large

2 transverse rails

Colour code: (Support rail/Youbox_x)

Silver 0102 (Silver/White)

Ice white 9966 (White/White)

Anthracite 9846 (Anthracite/Anthracite)



005276 9856

005276 7500

BxDxH

115 x 450 x 95

Youbox_x Set 4

consisting of:

2 boxes (3,2 L)

3 dividers, large

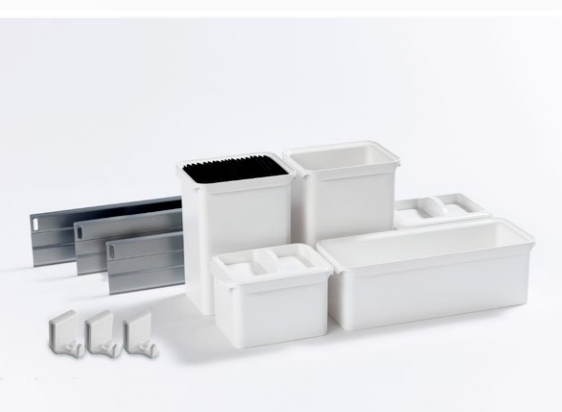
2 holders

Only for DISPENSA junior III

Colour code: (Holders/Youbox_x)

Porcelain white 9856 (Silver/White)

Anthracite 7500 (Anthracite/Anthracite)



005277 9966

005277 0102

005277 9846

BxDxH

115 x 150 x 95

115 x 300 x 95

115 x 150 x 195

Youbox_x Set 5

consisting of:

2 boxes (1.0 l)

1 box (2.1 l)

2 boxes (2.0 l)

1 slotted knife block

2 lids

3 transverse rails

3 hooks (to hold chopping boards)

Colour code: (Support rail/Youbox_x)

Silver 0102 (Silver/White)

Ice white 9966 (White/White)

Anthracite 9846 (Anthracite/Anthracite)

Spice rack

Colour code:
Silver 0102
Ice white 9966
Anthracite 9846

Dimensions (mm)

Item no.

BxD xH

465 x 85 x 33,5

235227 0102

235227 9966

Space:

462 x 79

235227 9846







DISPENSA JUNIOR SLIM

MASTER OF SMALL RECESSES

 KESSEBÖHMER



Technical Support

Short-URL:
<https://kbgo.to/supe>




Product Information

Short-URL:
<https://kbgo.to/djse>

DISPENSA JUNIOR SLIM

SMALL. STRONG. CLEVER.

 KESSEBÖHMER

 **DISPENSA junior slim 20 cm**
Optimum use of width thanks to place-
ment of technology underneath the fitting
and on the top of the carcass.





ARENA-Design
right down to the narrowest unit

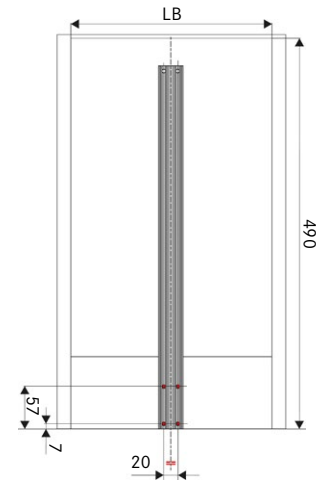
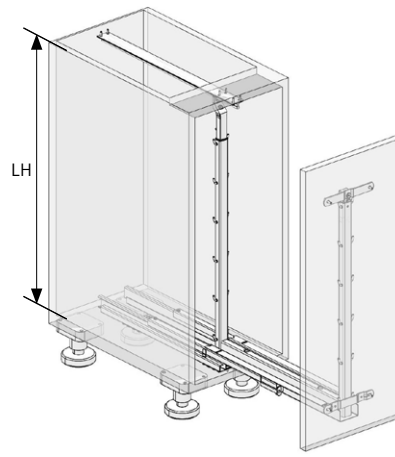
DISPENSA junior slim 40 cm
Freedom to plan thanks to access
from both sides

DISPENSA junior slim 30 cm
Excellent running properties
thanks to frame guides used

The Junior slim in the Dispensa range is a master of small recesses.

Starting from a width of just 15 cm, this modern base unit pull-out provides a perfect view of the stored goods and access from either side. The outstanding stability comes from the centrally guided fitting. Even in the smallest units, individuality is a priority.

Which is why the Dispensa junior slim comes with lots of planning freedom with all the ARENA tray variations. The „everything at your fingertips“ effect is rounded off intelligently by the modular YouboXx fittings. This is orderliness without searching.



Item no.	Dimensions (mm)	
	Cabinet width: 200-400*	DISPENSA junior slim
	Clear inside width (LB): 160-370	Fitting set consisting of:
	Clear inside height (LH): 640-728	1 support frame
005450 0102		1 adapter plate
005450 9966		1 aluminium profile
005450 9846		1 top connector
		1 set of runners
		1 set of front panel brackets
		1 set of assembly materials
005455 0102	695-783	(excluding screws for carcass)
005455 9966		Colour code:
005455 9846		Silver 0102
		Ice white 9966
		Anthracite 9846

*For 150 mm unit width (110 mm inside clear width) use front panel bracket set product code 005454



	Cabinet width: 300	Front panel bracket set for frame front DISPENSA junior slim
005452 0102	Clear inside width (LB): ≥ 260	consisting of:
005452 9966		1 top front panel bracket
005452 9846		1 bottom front panel bracket
		(PU: set of 5)
	Cabinet width: 400	Colour code:
005453 0102	Clear inside width (LB): ≥ 360	Silver 0102
005453 9966		Ice white 9966
005453 9846		Anthracite 9846



	Cabinet width: 150	Front panel bracket set for 150 mm cabinet width - DISPENSA junior slim
005454 0102	Clear inside width (LB): 110-160	consisting of:
005454 9966		1 top front panel bracket
005454 9846		1 bottom front panel bracket
		(PU: set of 5)
		Colour code:
		Silver 0102
		Ice white 9966
		Anthracite 9846



Dimensions (mm)

Item no.

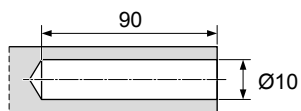
push-to-open (PTO) Typ III

Drill-in ejector

● 26-48 N

Can also be used with PTO housing
(272075 7035)

Grey	7035
Anthracite	7500
White	9966



272074 7035
272074 7500
272074 9966



PTO-Gehäuse

zum Aufschrauben


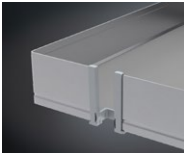


Grey	7035
Anthracite	7500
White	9966

W x D x H
15 x 107 x 18

272075 7035
272075 7500
272075 9966



DISPENSA hook-on trays

		ARENA pure	ARENA pure	ARENA pure	ARENA style	ARENA style
Railing		Anthracite	Silver	Silver	Anthracite	Chrome
Panel decor		Anthracite	Ice white	Grey	Anthracite	Ice white
ARENA plus <i>Anti-slip coating</i>						
Cabinet width	PU					
150 mm	1 piece	236618 9846	236621 0102	236624 0102	260176 9846	260179 0005
150 mm	2 pieces	236619 9846	236622 0102	236625 0102	260177 9846	260180 0005
200 mm	1 piece	-	-	-	260193 9846	260196 0005
200 mm	2 pieces	-	-	-	260194 9846	260197 0005
300 mm	1 piece	236463 9846	236478 0102	236493 0102	260118 9846	231432 0005
300 mm	2 pieces	236464 9846	236479 0102	236494 0102	260119 9846	260133 0005
400 mm	1 piece	236466 9846	236481 0102	236496 0102	260121 9846	231433 0005
400 mm	2 pieces	236467 9846	236482 0102	236497 0102	260122 9846	260135 0005



235227 0102 W x D x H
465 x 85 x 33,5
235227 9966
235227 9846

Shelf space:
462 x 79

Spice rack

(Can be used in units with clear inside width minimum 260 mm)

Colour code:
Silver 0102
Ice white 9966
Anthracite 9846

ARENA classic	ARENA classic	ARENA classic	ARENA classic	Metal basket	Metal basket	
Chrome	Chrome	Silver	Silver	Chrome	Silver	Railing
Ice white	Grey	Ice white	Grey			Panel decor
						Cabinet width
260182 0005	260185 0005	260182 0102	260185 0102	-	-	150 mm
260183 0005	260186 0005	260183 0102	260186 0102	-	-	150 mm
235420 0005	260190 0005	235420 0102	260190 0102	-	-	200 mm
260188 0005	260191 0005	260188 0102	260191 0102	-	-	200 mm
260146 0005	260161 0005	260146 0102	260161 0102	217781 0005	217781 0102	300 mm
260147 0005	260162 0005	260147 0102	260162 0102	001966 0005	001966 0102	300 mm
260149 0005	260164 0005	260149 0102	260164 0102	231573 0005	231573 0102	400 mm
260150 0005	260165 0005	260150 0102	260165 0102	001967 0005	001967 0102	400 mm

	Dimensions (mm)	Item no.
Youbox_x Set 1		005273 0102
(Can be used in units with clear inside width minimum 260 mm)		005273 9966
consisting of:	WxDxH	005273 9846
2 boxes (1.0 L)	115 x 150 x 95	
1 box (2.1 L)	115 x 300 x 95	
2 boxes (2.0 L)	115 x 150 x 195	
1 knife compartment		
2 lids		
2 support rails		
Colour code:		
Silver	0102 (silver support rail/white Youboxx)	
Ice white	9966 (white support rail/white Youboxx)	
Anthrazit	9846 (Anthracite support rail/Anthracite Youboxx)	



Youbox_x Set 3		005275 0102
(Can be used in units with clear inside width minimum 260 mm)		005275 9966
consisting of:	WxDxH	005275 9846
2 boxes (1.0 L)	115 x 150 x 95	
2 boxes (2.1 L)	115 x 300 x 95	
2 lids		
1 divider, large		
2 support rails		
Colour code:		
Silver	0102 (silver support rail/white Youboxx)	
Ice white	9966 (white support rail/white Youboxx)	
Anthrazit	9846 (Anthracite support rail/Anthracite Youboxx)	



Youbox_x Set 5		005277 9966
(Can be used in units with clear inside width minimum 260 mm)		005277 0102
consisting of:	WxDxH	005277 9846
2 boxes (1.0 L)	115 x 150 x 95	
1 box (2.1 L)	115 x 300 x 95	
2 boxes (2.0 L)	115 x 150 x 195	
1 divider for knives		
2 lids		
3 support rails		
3 hooks (to hold chopping boards)		
Colour code:		
Silver	0102 (silver support rail/white Youboxx)	
Ice white	9966 (white support rail/white Youboxx)	
Anthrazit	9846 (Anthracite support rail/Anthracite Youboxx)	







COMFORT II

CHECK THE CONTENTS AT A GLANCE

 KESSEBÖHMER



Technical Support

Short-URL:
<https://kbgo.to/supe>



Product Information

Short-URL:
<https://kbgo.to/cf2e>



STANDARD WITH:



3D Adjust



ARENA^{plus}
Anti-slip coating

Even
smoother
action!

COMFORT II runner technology meets all current expectations for easy, effortless action.

COMFORT II

SMOOTH ACTION, AMPLE SPACE,
A PLEASURE TO USE

 KESSEBÖHMER

IN YOUR KITCHEN, THE OPTIONS OFFERED BY THE UNDER-COUNTER COMFORT II FITTING INCLUDE HEIGHT-ADJUSTABLE TRAYS. Different inserts are available to store bottles, bread, coffee and tea efficiently. Eminently practical is the optional spice rack for the 90° pull-out! Can be integrated optimally into any production line – fitting and runner snap together. No tools required!

PRODUCT FEATURES

- ClickFixx: Snap-on connections (fitting to runner)
- 3D front panel adjustment
- Smooth and comfortable movement
- SoftSTOPPlus damped closing

3D front panel adjustment

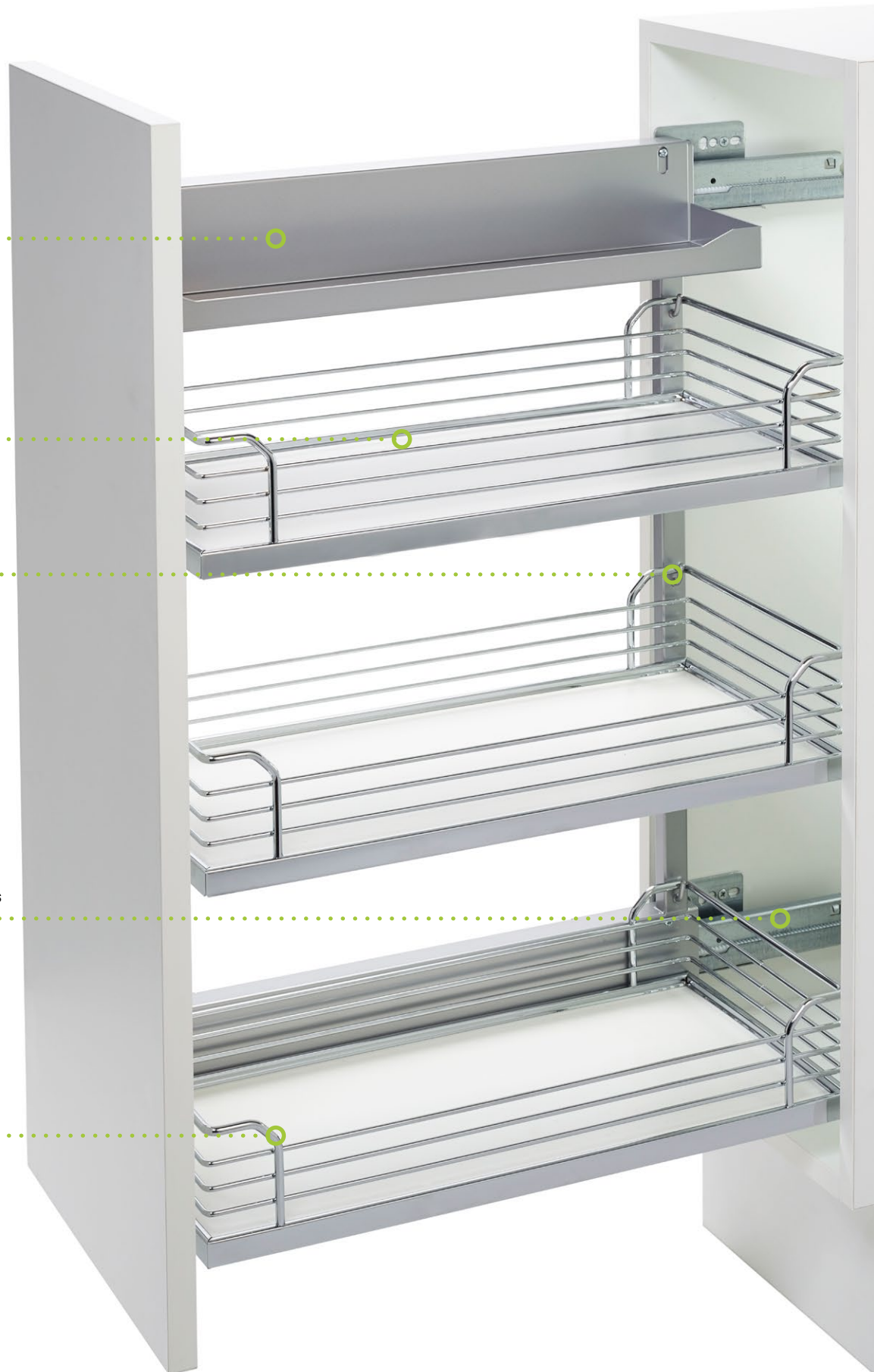
Spice rack for 90°
pull-out (optional)

Almost 100% of
storage space pulls out

Height adjustable

Runner action meets
latest technical standards

Uses proven
trays and baskets





Item no. Dimensions (mm)

Cabinet left

(posted on the right)

Clear inside Frame
height height

260752 0102	≥526	502
260752 9966		
260752 9846		
260754 0102	≥590	566
260754 9966		
260754 9846		
260756 0102	≥654	630
260756 9966		
260756 9846		
260750 0102	≥686	662
260750 9966		
260750 9846		

COMFORT II

Incl. GRASS Nova Pro full-extension runner and front connectors

Payload: 20 kg

Supplied only with plastic-coated finish!

Colour code:

Silver	0102
Ice white	9966
Anthracite	9846

Standard with



Cabinet right

(posted on the left)

Clear inside Frame
height height

260753 0102	≥526	502
260753 9966		
260753 9846		
260755 0102	≥590	566
260755 9966		
260755 9846		
260757 0102	≥654	630
260757 9966		
260757 9846		
260751 0102	≥686	662
260751 9966		
260751 9846		

Hook-on trays COMFORT II

	ARENA style	ARENA style	ARENA classic	ARENA classic
Railing	Anthracite	Chrome	Chrome	Chrome
Base panel colour	Anthracite	Ice white	Ice white	Grey

ARENAplus

Anti-slip coating





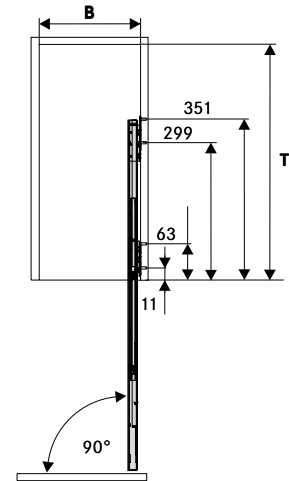
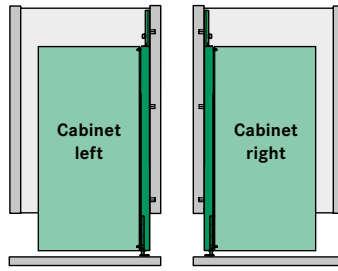
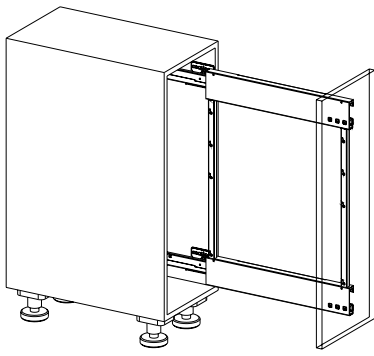
Cabinet width	Tray width	PU				
200 mm	110 mm	2 pieces	260746 9846	260758 0005	260767 0005	260776 0005
200 mm	110 mm	3 pieces	260747 9846	260759 0005	260768 0005	260777 0005
250 mm	160 mm	2 pieces	260748 9846	260760 0005	260769 0005	260778 0005
250 mm	160 mm	3 pieces	260749 9846	260761 0005	260770 0005	260779 0005
300 mm	210 mm	2 pieces	260784 9846	260792 0005	260796 0005	260810 0005
300 mm	210 mm	3 pieces	260785 9846	260793 0005	260797 0005	260811 0005
350 mm	260 mm	2 pieces	260788 9846	260794 0005	260798 0005	260812 0005
350 mm	260 mm	3 pieces	260789 9846	260795 0005	260799 0005	260813 0005
400 mm	295 mm	2 pieces	-	-	260773 0005	260782 0005
400 mm	295 mm	3 pieces	-	-	260774 0005	260783 0005
400 mm	320 mm	2 pieces	260790 9846	260764 0005	-	-
400 mm	320 mm	3 pieces	260791 9846	260765 0005	-	-

Fig.: Dimensions in mm



COMFORT II with 90° front angle

T = Clear inside depth: ≥ 496 mm
 B = Clear inside width: tray width + 35 mm

push-to-open (PTO) Typ II

Drill-in ejector

● 22-34 N

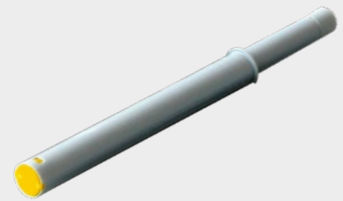
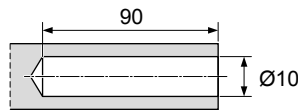
Can also be used with PTO housing (272075 7035)

Grey 7035
 Anthracite 7500
 White 9966

Dimensions (mm)

Item no.

272073 7035
 272073 7500
 272073 9966



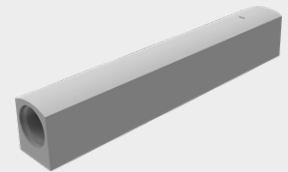
PTO housing




for screw fixing

Grey 7035
 Anthracite 7500
 White 9966

W x D x H
 15 x 107 x 18

272075 7035
 272075 7500
 272075 9966



ARENA classic	ARENA classic	Metal basket	Metal basket
Silver	Silver	Chrome	Silver
Ice white	Grey		
			
260767 0102	260776 0102	235027 0005	235027 0102
260768 0102	260777 0102	235028 0005	235028 0102
260769 0102	260778 0102	235029 0005	235029 0102
260770 0102	260779 0102	235030 0005	235030 0102
260796 0102	260810 0102	233399 0005	233399 0102
260797 0102	260811 0102	235031 0005	235031 0102
260798 0102	260812 0102	235157 0005	235157 0102
260799 0102	260813 0102	235158 0005	235158 0102
260773 0102	260782 0102	-	-
260774 0102	260783 0102	-	-
-	-	235032 0005	235032 0102
-	-	235033 0005	235033 0102

Railing
 Base panel colour

ARENA^{plus}
 Anti-slip coating

PU	Tray width	Cabinet width
2 pieces	110 mm	200 mm
3 pieces	110 mm	200 mm
2 pieces	160 mm	250 mm
3 pieces	160 mm	250 mm
2 pieces	210 mm	300 mm
3 pieces	210 mm	300 mm
2 pieces	260 mm	350 mm
3 pieces	260 mm	350 mm
2 pieces	295 mm	400 mm
3 pieces	295 mm	400 mm
2 pieces	320 mm	400 mm
3 pieces	320 mm	400 mm

Item no. Dimensions (mm)

015277 0102 BxDxH
479 x 133 x 76

015277 9966

015277 9846 Space:
476 x 103

Spice rack

Colour code:
Silver 0102
Ice white 9966
Anthracite 9846





TANDEM diagonal junior –
elegantly angled.

The perfect start to a **small** kitchen.

It's often hard to place an additional unit at the entrance of a small kitchen because it would block access.

Installing a diagonal unit is an ideal solution here..



One fitting for all angles

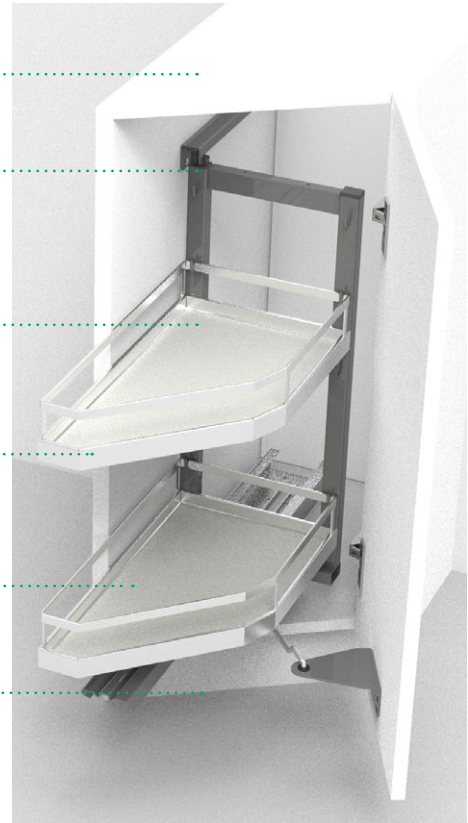
Fitting can be installed on the left or right

Height-adjustable top tray

Access from three sides

Identical trays for larder and base units

No adjustment of fittings necessary

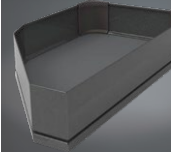






Part of the family.

The TANDEM diagonal junior is the matching base unit version that complements the successful TANDEM diagonal larder unit concept. The same trays and designs are used for consistency with the larder unit.

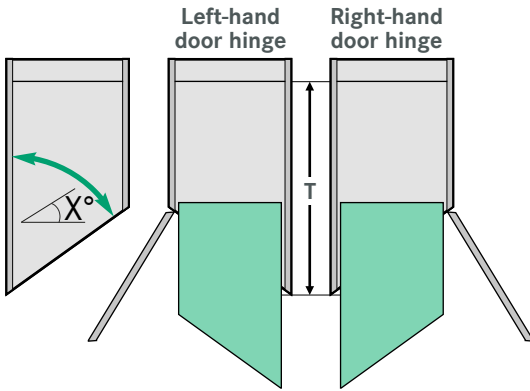
When you are designing a kitchen with diagonal units this means you can still use the high-quality Kesseböhmer design.

TANDEM diagonal hook-on trays

		ARENA pure	ARENA pure	ARENA pure	ARENA style	ARENA style
	Railing	Anthracite	Silver	Silver	Anthracite	Chrome
	Base panel colour	Anthracite	Ice white	Grey	Anthracite	Ice white
ARENA^{plus} Anti-slip coating						
Door catch	PU					
left	2 pieces	238153 9846	238157 0102	238161 0102	237135 9846	237139 0005
right	2 pieces	238155 9846	238159 0102	238163 0102	237137 9846	237141 0005

TANDEM diagonal junior

X° =	51°	52°	53°	54°	55°	56°	57°	58°	59°	60°
T = clear depth of unit	≥ 500	498	496	494	492	490	488	486	484	482 mm
B = clear width of unit	262-268 mm									
H = clear height of unit	≥ 600 mm									
Tray load capacity:	≤ 10 kg									
Load capacity:	≤ 20 kg									
System weight:	≤ 22 kg									



TANDEM diagonal junior fitting set

bestehend aus:

consisting of:

- 1 pull-out frame
- 1 runner, top
- 1 set of runners, bottom
- 1 follower
- 1 door connector
- 1 control lever
- 1 bag of accessories

Anthracite	Silver
003850 9846	003850 0102



(Subject to technical modifications.)

ARENA classic	ARENA classic	ARENA classic	ARENA classic	Metal basket	Metal basket	Railing Base panel colour
Chrome Ice white	Chrome Grey	Silver Ice white	Silver Grey	Chrome	Silver	
						Cabinet width 300 mm
237143 0005 237145 0005	237147 0005 237149 0005	237143 0102 237145 0102	237147 0102 237149 0102	237621 0005 237622 0005	237621 0102 237622 0102	





PORTERO

WITH THE PRACTICAL LIFT-OUT BASKET

 KESSEBÖHMER



Technical Support

Short-URL:
<https://kbgo.to/supe>



Product Information

Short-URL:
<https://kbgo.to/prte>



PORTERO

TOP MARKS FOR PRACTICALITY



ALL YOUR CLEANING MATERIALS IN ONE PULL-OUT. THE TOP BASKET SWIVELS ASIDE FOR OPTIMAL ACCESS. Special feature: the integrated 'service station' that can be lifted out and taken along as you clean. There's a choice of three sizes. The removable plastic trays are dishwasher safe.



**Top swivel basket for
extra storage space**

Simply mounted on the bottom panel

**Acid-resistant, plastic trays
provide a firm footing for bottles
and catch spills**

Adaptable system carrier

STANDARD WITH:





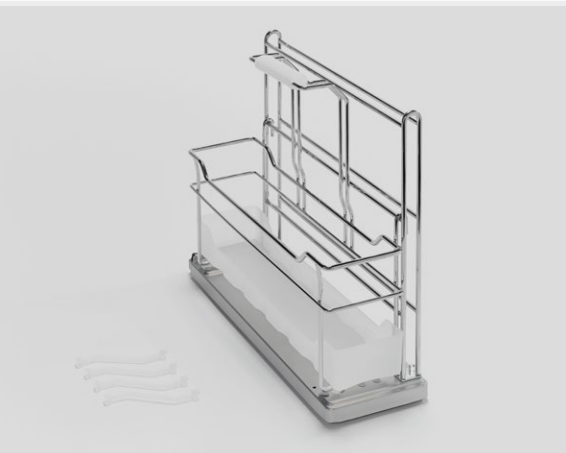
For easy access to the cleaning agents in the lower basket ...



... the top basket can be swivelled left or right.



Top marks for practicality: removable basket with handle.



Item no. Dimensions (mm)

005151 0005 BxDxH
005151 9846 160 x 468 x 395

PORTERO cleaning materials pull-out single

consisting of:
 1 system frame
 1 slot-in basket with carry handle
 4 dividers

Colour code:
 Chrome 0005
 Anthracite 9846



005153 0005 BxDxH
005153 9846 276 x 468 x 510

PORTERO cleaning materials pull-out double top

consisting of:
 1 system frame
 1 slot-in basket with carry handle
 1 slot-in basket without carry handle
 1 swivel basket
 8 dividers

Colour code:
 Chrome 0005
 Anthracite 9846



cleaningAGENT

CLEANING HAS NEVER BEEN SO EASY

 KESSEBÖHMER



Technical Support

Short-URL:
<https://kbgo.to/supe>



Product Information

Short-URL:
<https://kbgo.to/clae>



cleaningAGENT

A PRACTICAL SOLUTION, EASY TO USE
AND EASY TO CLEAN

 KESSEBÖHMER

TOTALLY PRACTICAL, EXTREMELY COMPACT AND MANUFACTURED TO THE HIGHEST STANDARDS. For all its compact design, cleaningAGENT has a lot of practical features and ample space for all your cleaning stuff. The top layer compartments organize sponges, brushes and other implements. Top marks for practicality: the basket with the ergonomic easy-grip handle.

STANDARD WITH:



All plastic elements removable
and washable (dishwasher proof)

Resistant to all commonly available
household cleaning materials

Dividers to hold contents
safely in place

Carry basket with
non-slip rubber feet

Mounted on bottom panel –
right or left (can be retrofitted)



cleaningAGENT

consists of:

- 1 system frame
- 1 hook-on basket with easy-grip handle
- 2 large containers
- 1 small container
- 6 dividers

Colour code:

Grey/Silver	025232 0102
Anthracite/ Anthracite	233962 9846
Anthracite/ Silver	233962 0102

Dimensions (mm)

Clear installation
dimensions

BxDxH

298 x 480 x 480

Item no.

025232 0102

233962 9846

233962 0102





CORNER UNIT FITTINGS

CONTENTS



LeMans II

For 90, 100 and 120 cm
corner base units
and highboards



MagicCorner

For 90 and 100 cm
corner base units

REVO 90°

Custom solutions for 80 and 90 cm
corner base units



Three-quarter carousel

Custom solutions for 80 and 90 cm
corner base units

Semicircular carousel

Custom solutions for 90 cm corner
base units



Technical Support

Short-URL:
<https://kbgo.to/supe>



Product Information

Short-URL:
<https://kbgo.to/03e>

LeMans II



Technical Support

Short-URL:
<https://kbgo.to/supe>




Product Information

Short-URL:
<https://kbgo.to/lm2e>

LeMans II

OPTIMAL FUNCTIONALITY FOR
FASCINATING EASE OF USE

 KESSEBÖHMER

LeMans offers up to

70%

more storage area
than a base unit with pull-out
drawers next to the blind corner!



reddot design award



PLUS X AWARD®



German
Design Award

WHY USING THE CORNER IS ALWAYS BETTER THAN LEAVING A BLIND CORNER

In addition, the clever design of the trays is an ideal fit for pots and pans, so that the actual, usable space increases by up to 70 %.

Customer demo: put as many pots and pans into a drawer/LeMans tray as will fit comfortably side-by-side (do not stack). Note: contents can even extend beyond the railing of a LeMans adding to space savings and flexibility. Use of the available space is clearly better and more efficient in a LeMans.

Compare a LeMans tray with a drawer



Example

1x saucepan Ø 25 cm
 1x pan Ø 25 cm
 2x saucepan Ø 15 cm
 2x pans Ø 15 cm

1x saucepan Ø 25 cm
 1x pan Ø 25 cm

Use of available space
 Benefit

1,688 cm²
 170 %

981 cm²
 100 %

→ Up to 70 % more storage space in a LeMans

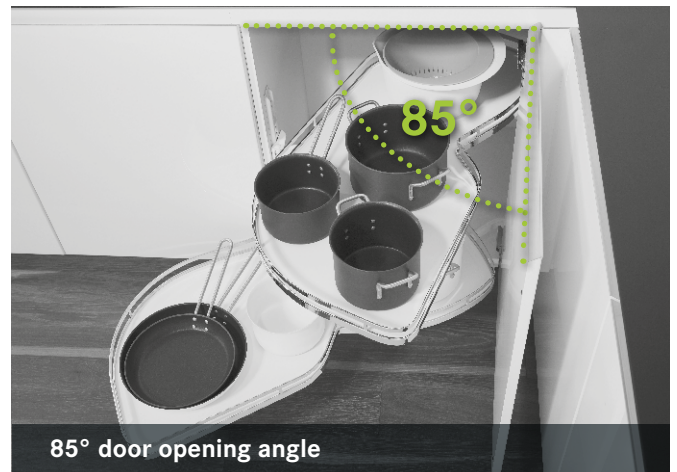
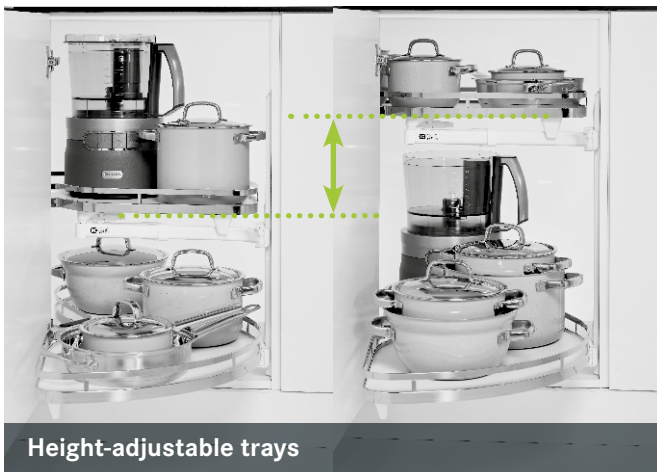
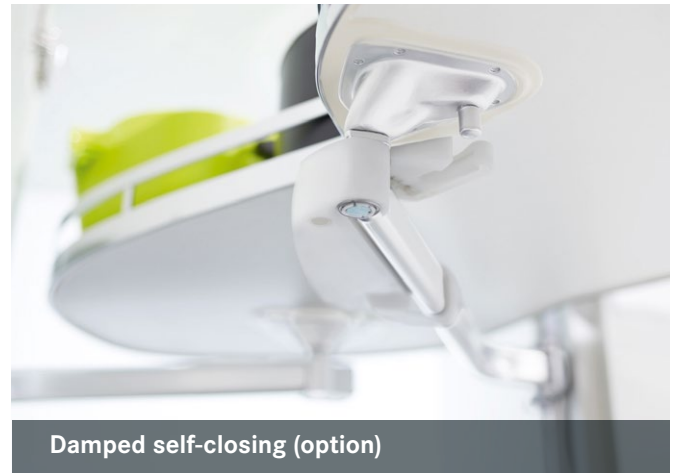


UP TO
50KG LOAD
 CAPACITY

LeMans is an extremely robust storage system with a load capacity of up to 25kg per tray. Damped self-closing means whisper-quiet closing even fully loaded. The patented 4-arm articulation system swings the trays out of the cabinet in a smooth and fluid movement. Users select tray heights to suit their needs and cut out wasted space. With optimal access at all times, LeMans makes perfect use of corner space!



25kg =  



LeMans II

CONTINUING A LONG TRADITION



THE LE MANS RACETRACK AND THE LeMans INTELLIGENT CORNER UNIT SOLUTION FROM KESSEBÖHMER ARE BOTH INSTANTLY RECOGNIZABLE FOR THEIR SHAPE AND FUNCTIONALITY. ON THE RACETRACK AND IN THE KITCHEN, EFFICIENCY, INNOVATION AND EMOTION ARE IN THE FOREGROUND.

LeMans II is the second generation of a successful product – with new, improved features and innovations. Kesseböhmer’s intelligent corner unit system is once again setting standards with new engineering quality and fascinating movement sequences!

PRODUCT FEATURES

- Door opening angle of just 85° allows trays to swing completely out
- Max. payload per tray is 25 kg
- Height-adjustable trays
- ClickFixx system for fast, errorfree, toolless assembly
- Damped self-closing (option)
- 70 % more storage area than a base unit with pull-out drawers next to the blind corner!

The trays move smoothly and almost effortlessly out of the unit ...



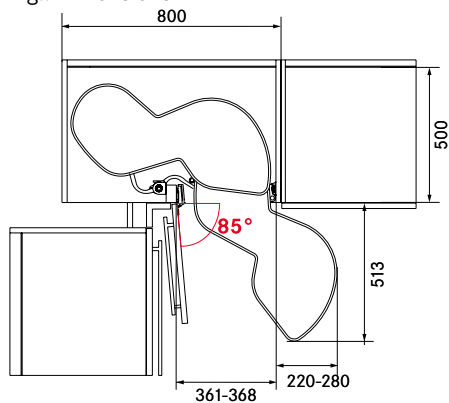
... so that users have a clear view of all the contents and optimal access.



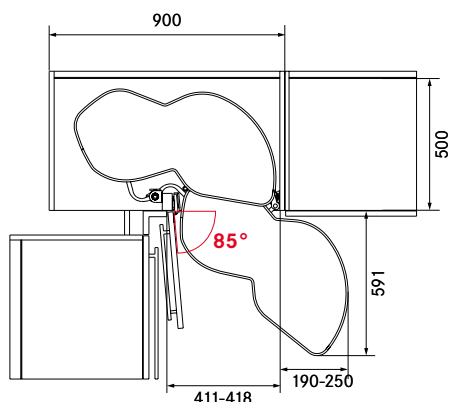
LeMans II scores high on efficiency and benefits.



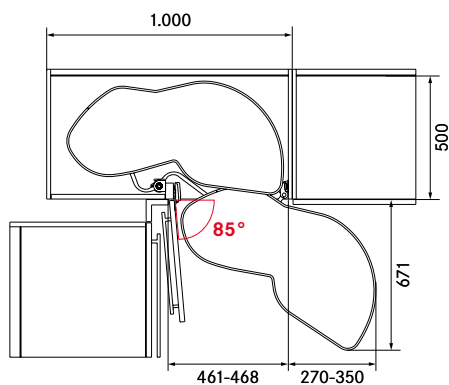
Fig.: Dimensions in mm



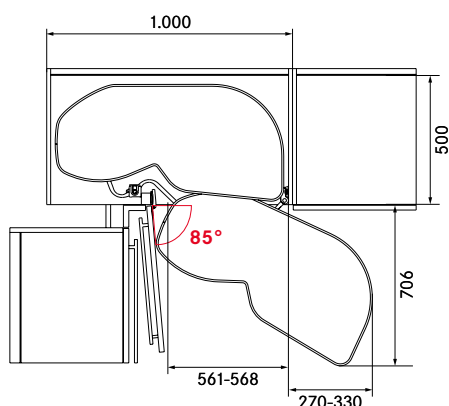
Example: swings out to the right
(left cabinet - 40 cm door)



Example: swings out to the right
(left cabinet - 45 cm door)



Example: swings out to the right
(left cabinet - 50 cm door)



Example: swings out to the right
(left cabinet - 60 cm door)

Hook-on tray LeMans II

PU 1 set (= 2 trays and fixings) without axle; max. load: 25 kg/tray

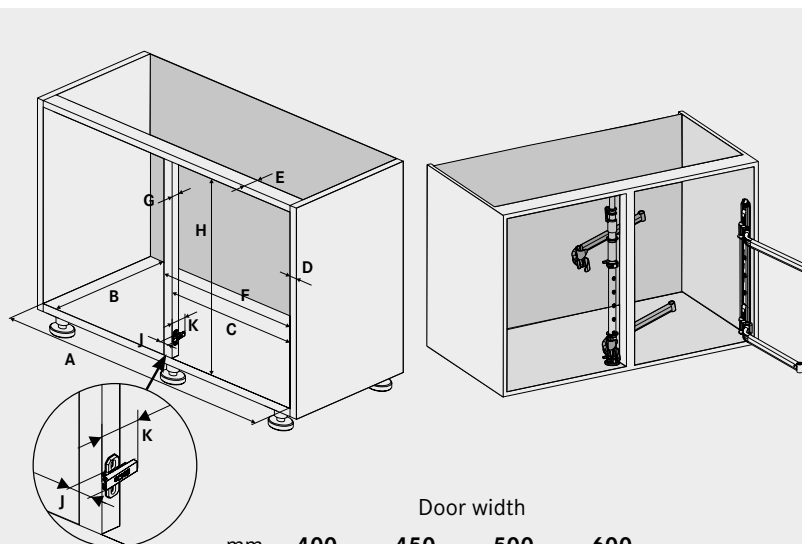
	ARENA pure	ARENA pure
Railing	Anthracite	Silver
Base panel colour	Anthracite	Ice white

ARENAplus
Anti-slip coating

SOFTSTOPPLUS



Door width	swing out	SoftSTOP plus		
400 mm	right	-	2603909846	2603800102
	left	-	2603919846	2603810102
450 mm	right	-	2603929846	2603820102
	left	-	2603939846	2603830102
500 mm	right	-	2603949846	2603840102
	left	-	2603959846	2603850102
600 mm	right	-	2603969846	2603860102
	left	-	2603979846	2603870102
Door width	swing out	SoftSTOP plus		
400 mm	right	2 pieces	2604909846	2604800102
	left	2 pieces	2604919846	2604810102
450 mm	right	2 pieces	2604929846	2604820102
	left	2 pieces	2604939846	2604830102
500 mm	right	2 pieces	2604949846	2604840102
	left	2 pieces	2604959846	2604850102
600 mm	right	2 pieces	2604969846	2604860102
	left	2 pieces	2604979846	2604870102



	Door width			
mm	400	450	500	600
A	≥764	≥800	≥910	≥960
B	≥500	≥500	≥500	≥500
C	361-368	411-418	461-468	561-568
D	16-19	16-19	16-19	16-19
E	≥60	≥60	≥60	≥60
F	≤400	≤450	≤500	≤600
G	≤65	≤65	≤65	≤65
H	600-900	600-900	600-900	600-900
J	≤25	≤25	≤25	≤25
K	≤70	≤70	≤70	≤70

ARENA pure	ARENA style	ARENA style	ARENA classic	ARENA classic	ARENA classic	ARENA classic
Silver	Anthracite	Chrome	Chrome	Chrome	Silver	Silver
Grey	Anthracite	Ice white	Ice white	Grey	Ice white	Grey
						
2603700102	235008 9846	235083 0005	235010 0005	047918 0005	235010 0102	047918 0102
2603710102	235009 9846	235084 0005	235011 0005	047919 0005	235011 0102	047919 0102
2603720102	234621 9846	233045 0005	235012 0005	047920 0005	235012 0102	047920 0102
2603730102	234622 9846	233046 0005	235013 0005	047921 0005	235013 0102	047921 0102
2603740102	234623 9846	233047 0005	235014 0005	047922 0005	235014 0102	047922 0102
2603750102	234624 9846	233048 0005	235015 0005	047923 0005	235015 0102	047923 0102
2603760102	234625 9846	233049 0005	235016 0005	047924 0005	235016 0102	047924 0102
2603770102	234626 9846	233050 0005	235017 0005	047925 0005	235017 0102	047925 0102

2604700102	260360 9846	260320 0005	260350 0005	260340 0005	260350 0102	260340 0102
2604710102	260361 9846	260321 0005	260351 0005	260341 0005	260351 0102	260341 0102
2604720102	260362 9846	260322 0005	260352 0005	260342 0005	260352 0102	260342 0102
2604730102	260363 9846	260323 0005	260353 0005	260343 0005	260353 0102	260343 0102
2604740102	260364 9846	260324 0005	260354 0005	260344 0005	260354 0102	260344 0102
2604750102	260365 9846	260325 0005	260355 0005	260345 0005	260355 0102	260345 0102
2604760102	260366 9846	260326 0005	260356 0005	260346 0005	260356 0102	260346 0102
2604770102	260367 9846	260327 0005	260357 0005	260347 0005	260357 0102	260347 0102

Axle, height-adjustable

with 2 premounted bearing sleeves

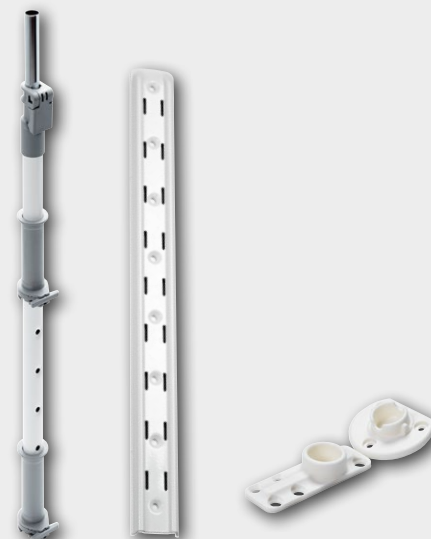
1 cabinet-side M profile

1 top connector

1 axle bearing bottom

For clear

inside height	Ice white	Silver	Anthracite
600-750 mm	007944 9966	007944 0102	007944 9846
650-800 mm	007958 9966	007958 0102	007958 9846
720-900 mm	007945 9966	007945 0102	007945 9846



SoftSTOPPlus damping (set of 2)

	White	Grey	Anthracite
right swing out	234641 9010	234641 7930	234641 7500
left swing out	234642 9010	234642 7930	234642 7500



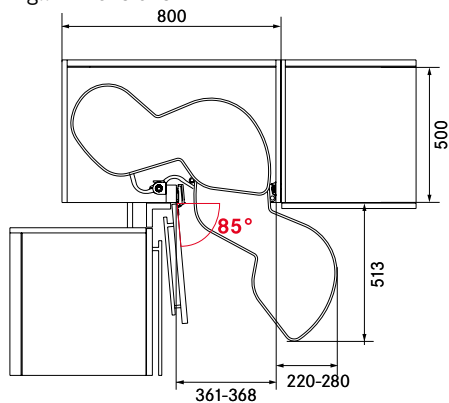
LeMans II

FOR EFFECTIVE USE OF
SPACE IN A CORNER
HIGHBOARD, LOOK AT
A LeMans SOLUTION

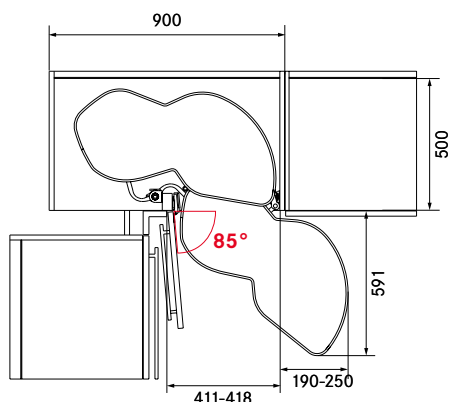




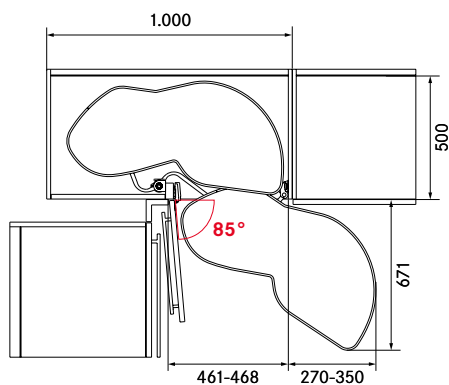
Fig.: Dimensions in mm



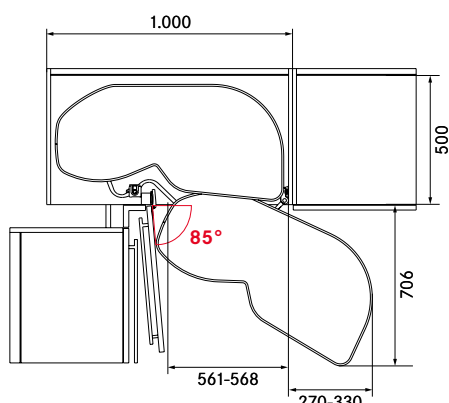
Example: swings out to the right
(left cabinet - 40 cm door)



Example: swings out to the right
(left cabinet - 45 cm door)



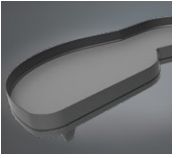

Example: swings out to the right
(left cabinet - 50 cm door)

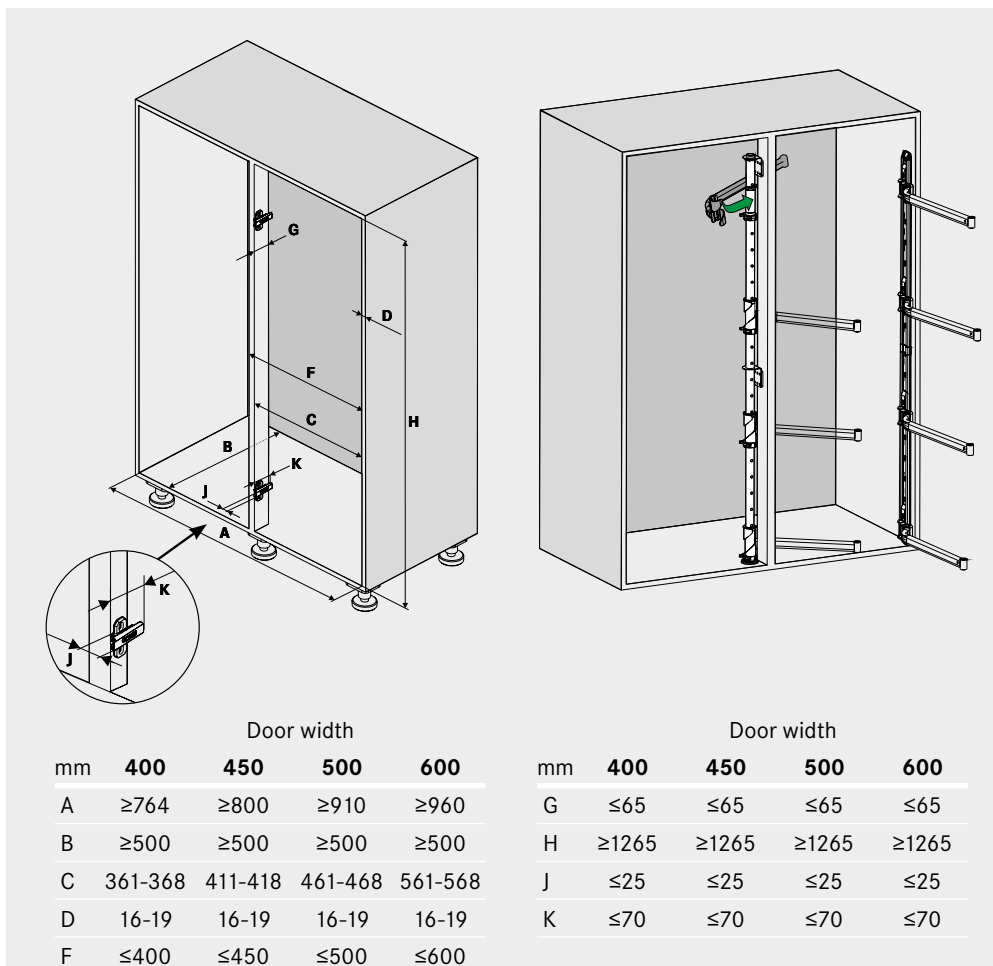


Example: swings out to the right
(left cabinet - 60 cm door)

Hook-on tray LeMans II

PU 1 set (= 2 trays and fixings) without axle; max. load: 25 kg/tray
2 sets required per axle/cabinet!

			ARENA pure	ARENA pure
			Anthracite	Silver
Railing			Ice white	
Base panel colour			Anthracite	Ice white
				
ARENAplus			SOFTSTOPPLUS	
Anti-slip coating				
Door width	swing out	SoftSTOP plus		
400 mm	right	-	2603909846	2603800102
	left	-	2603919846	2603810102
450 mm	right	-	2603929846	2603820102
	left	-	2603939846	2603830102
500 mm	right	-	2603949846	2603840102
	left	-	2603959846	2603850102
600 mm	right	-	2603969846	2603860102
	left	-	2603979846	2603870102
Door width	swing out	SoftSTOP plus		
400 mm	right	2 pieces	2604909846	2604800102
	left	2 pieces	2604919846	2604810102
450 mm	right	2 pieces	2604929846	2604820102
	left	2 pieces	2604939846	2604830102
500 mm	right	2 pieces	2604949846	2604840102
	left	2 pieces	2604959846	2604850102
600 mm	right	2 pieces	2604969846	2604860102
	left	2 pieces	2604979846	2604870102



	Door width			
mm	400	450	500	600
A	≥764	≥800	≥910	≥960
B	≥500	≥500	≥500	≥500
C	361-368	411-418	461-468	561-568
D	16-19	16-19	16-19	16-19
F	≤400	≤450	≤500	≤600

	Door width			
mm	400	450	500	600
G	≤65	≤65	≤65	≤65
H	≥1265	≥1265	≥1265	≥1265
J	≤25	≤25	≤25	≤25
K	≤70	≤70	≤70	≤70

ARENA pure	ARENA style	ARENA style	ARENA classic	ARENA classic	ARENA classic	ARENA classic
Silver	Anthracite	Chrome	Chrome	Chrome	Silver	Silver
Grey	Anthracite	Ice white	Ice white	Grey	Ice white	Grey
						
2603700102	235008 9846	235083 0005	235010 0005	047918 0005	235010 0102	047918 0102
2603710102	235009 9846	235084 0005	235011 0005	047919 0005	235011 0102	047919 0102
2603720102	234621 9846	233045 0005	235012 0005	047920 0005	235012 0102	047920 0102
2603730102	234622 9846	233046 0005	235013 0005	047921 0005	235013 0102	047921 0102
2603740102	234623 9846	233047 0005	235014 0005	047922 0005	235014 0102	047922 0102
2603750102	234624 9846	233048 0005	235015 0005	047923 0005	235015 0102	047923 0102
2603760102	234625 9846	233049 0005	235016 0005	047924 0005	235016 0102	047924 0102
2603770102	234626 9846	233050 0005	235017 0005	047925 0005	235017 0102	047925 0102

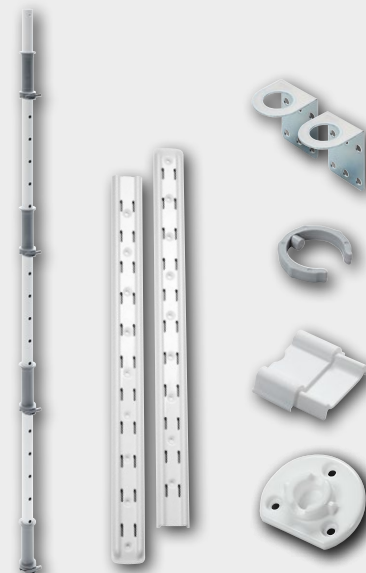
2604700102	260360 9846	260320 0005	260350 0005	260340 0005	260350 0102	260340 0102
2604710102	260361 9846	260321 0005	260351 0005	260341 0005	260351 0102	260341 0102
2604720102	260362 9846	260322 0005	260352 0005	260342 0005	260352 0102	260342 0102
2604730102	260363 9846	260323 0005	260353 0005	260343 0005	260353 0102	260343 0102
2604740102	260364 9846	260324 0005	260354 0005	260344 0005	260354 0102	260344 0102
2604750102	260365 9846	260325 0005	260355 0005	260345 0005	260355 0102	260345 0102
2604760102	260366 9846	260326 0005	260356 0005	260346 0005	260356 0102	260346 0102
2604770102	260367 9846	260327 0005	260357 0005	260347 0005	260357 0102	260347 0102

Axle, 1250 mm

- with 4 premounted bearing sleeves
- 2 cabinet-side M profile
- 2 bearing brackets
- 1 locking clip
- 1 connecting clip
- 1 bottom bearing

For clear

inside height	Ice white	Silver	Anthracite
min. 1.265 mm	007943 9966	007943 0102	007943 9846



SoftSTOPPlus damping (set of 2)

2 sets required per axle/cabinet!

	White	Grey	Anthracite
right swing out	234641 9010	234641 7930	234641 7500
left swing out	234642 9010	234642 7930	234642 7500







MagicCorner

THE “MAGIC” SOLUTION FOR CORNER SPACE

 KESSEBÖHMER



Technical Support

Short-URL:
<https://kbgo.to/supe>



Product Information

Short-URL:
<https://kbgo.to/mgce>



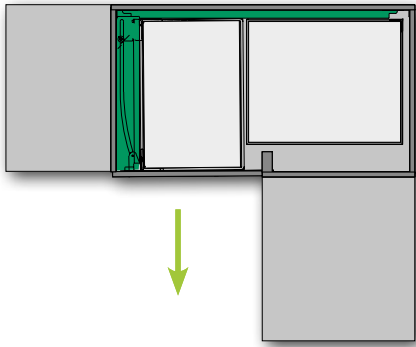
Adjustable frame for 90 and 100 cm
cabinet widths

Precisely defined
movement sequences

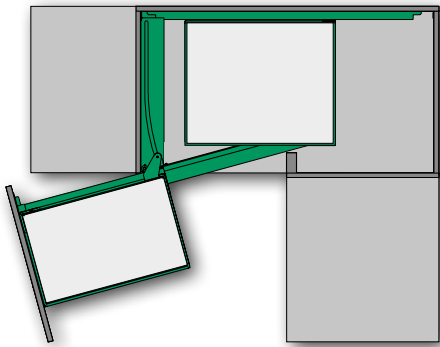
STANDARD WITH:



ARENAplus
Anti-slip coating



As the front pull-out opens ...

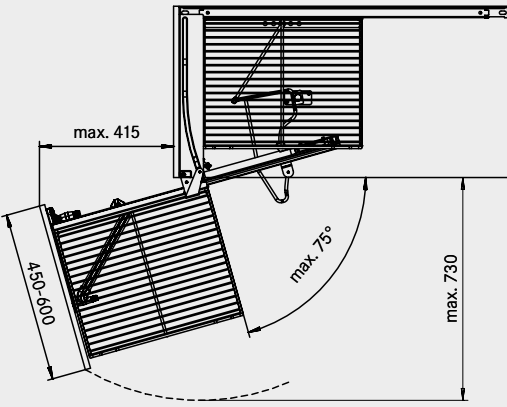


... and swings aside.

The follower draws the rear element to the front of the cabinet.



Swings out left



MagicCorner

B = Clear inside width:	860-971 mm
T = Clear inside depth:	≥ 485 mm
H = Clear inside height:	≥ 525 mm
Door width	≥ 450 mm
Max. load	Front pull-out: 14 kg
	Corner element: 18 kg
P = Post depth	T = 485-500 mm P ≤ 65
	T = 500-510 mm P ≤ 80



Item no. Dimensions (mm)

260401 0102 right **MagicCorner**
260401 9966 swing out for 90 and 100 cm corner units
260401 9846

260402 0102 left
260402 9966 swing out
260402 9846

Standard with

Standard with



Colour code:
 Silver 0102
 Ice white 9966
 Anthracite 9846

Hook-on tray MagicCorner

1 set = 4 trays

ARENAplus
 Anti-slip coating

	ARENA style	ARENA style	ARENA classic	ARENA classic	ARENA classic	ARENA classic	Metal basket	Metal basket
Railing	Chrome	Anthracite	Chrome	Chrome	Silver	Silver	Chrome	Silver
Base panel colour	Ice white	Anthracite	Ice white	Grey	Ice white	Grey		
Cabinet width								
90/1000 mm	260400 0005	231258 9846	260403 0005	046207 0005	260403 0102	046207 0102	006207 0005	006207 0102

Item no. Dimensions (mm)

push-to-open (PTO) Typ III

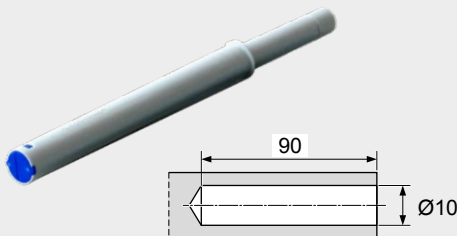
Drill-in ejector

● 26-48 N

272074 7035
272074 7500
272074 9966

Can also be used with PTO housing
 (272075 7035)

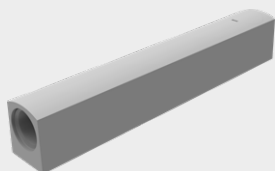
Grey 7035
 Anthracite 7500
 White 9966



272075 7035 W x D x H
272075 7500 15 x 107 x 18
272075 9966

PTO housing
 for screw fixing

Grey 7035
 Anthracite 7500
 White 9966





REVO 90°

THE USER-FRIENDLY CORNER SOLUTION WITH FRONTS THAT TURN WITH THE CAROUSEL

 KESSEBÖHMER



Technical Support

Short-URL:
<https://kbgo.to/supe>



Product Information

Short-URL:
<https://kbgo.to/rvoe>



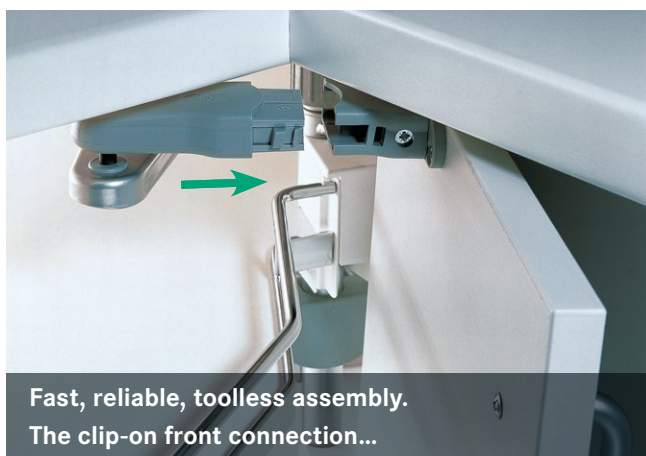
REVO 90°

INNOVATIVE ENGINEERING IN A CLASSIC FITTING

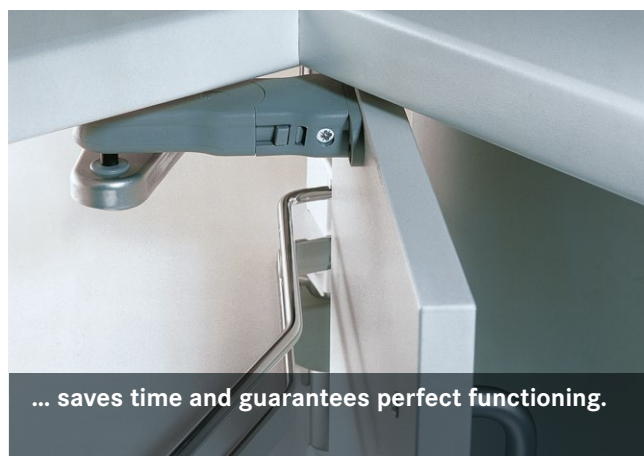
KESSEBÖHMER

THE CONTROL MECHANISMS ENSURE A TOTALLY CONTROLLED MOVEMENT SEQUENCE – THE DOORS FOLD GENTLY AWAY, THE CAROUSEL ROTATES SMOOTHLY, THE DOORS CLOSE AUTOMATICALLY.

With rotational damping and REVOfit, it's a pleasure to watch the carousel in action. With REVOfit, the closing speed can be adjusted quickly and toollessly. Steplessly adjustable trays let users use the storage space the way they want to. Adding a third tray and/or a pan tray – even as a retrofit – lets users create even more storage area.



Fast, reliable, toolless assembly.
The clip-on front connection...



... saves time and guarantees perfect functioning.

Toolless axle
height adjustment

Variable for use in 80 and 90 cm
cabinet widths

Height of trays and baskets
can be changed as required

STANDARD WITH:



ARENAplus
Anti-slip coating

REVOfit lets users set the closing
speed quickly and toollessly

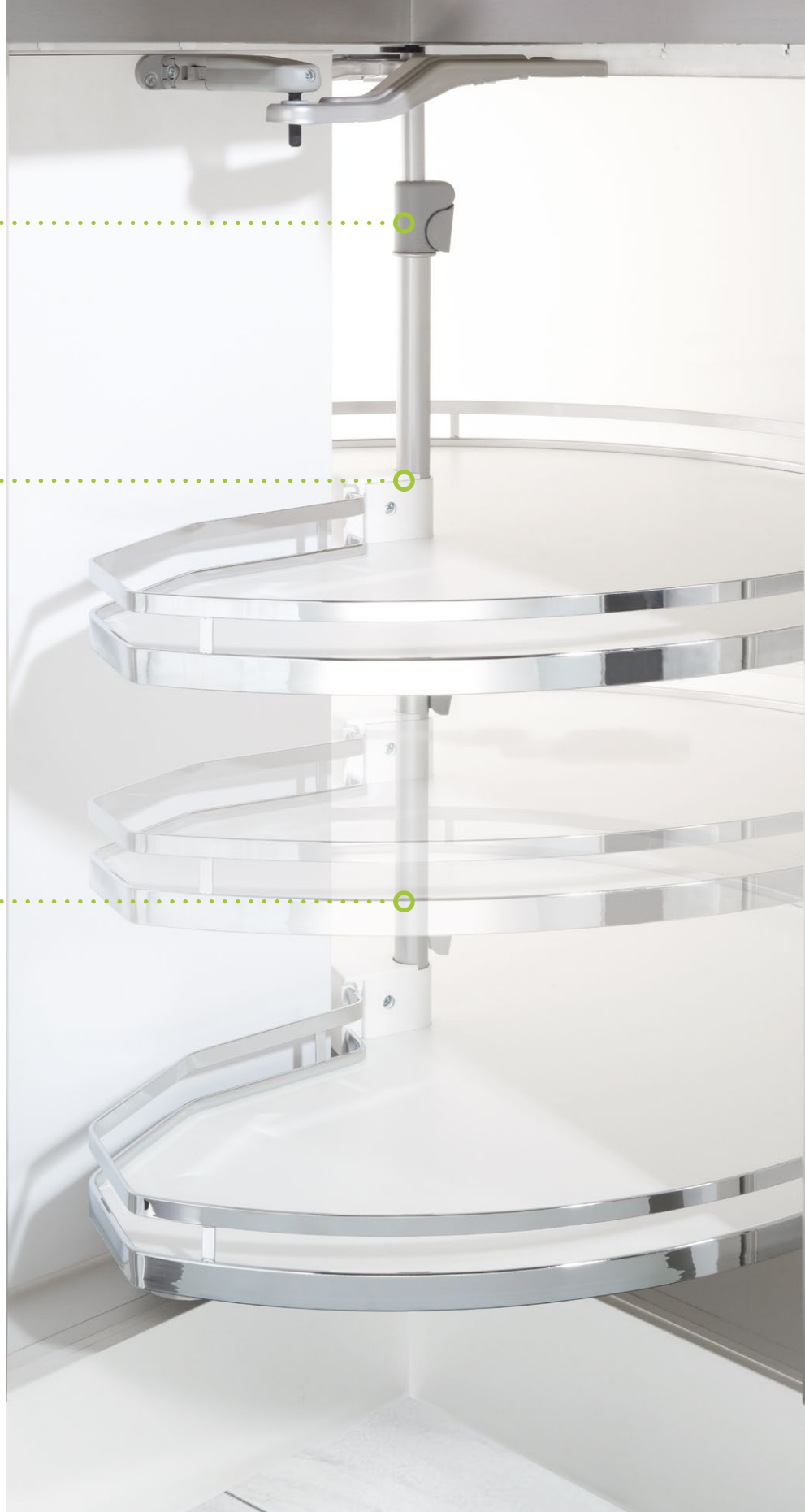
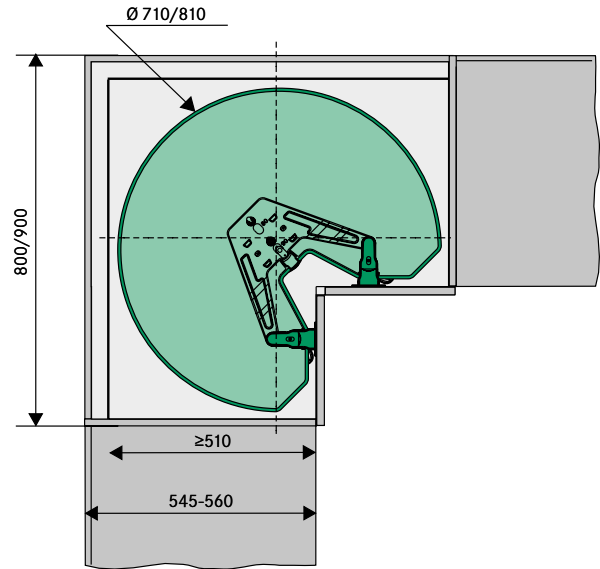
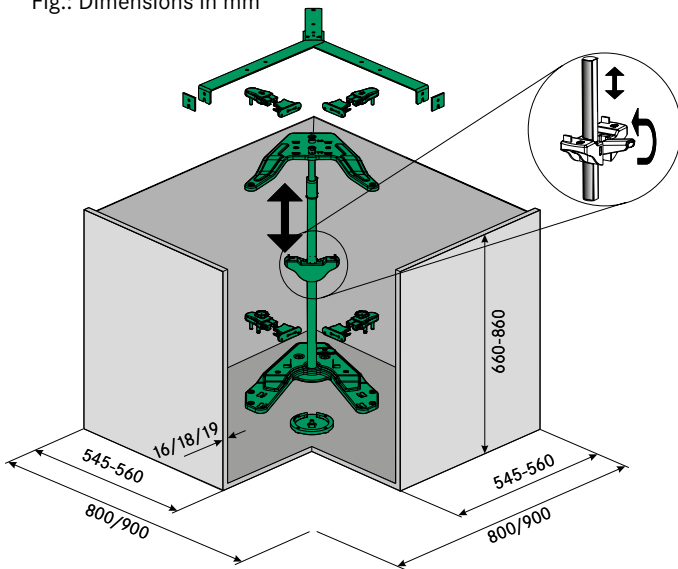
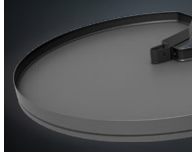
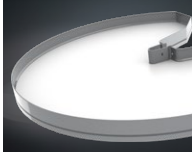
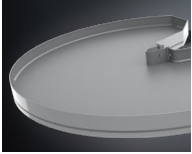
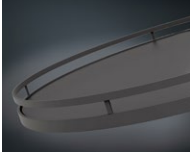
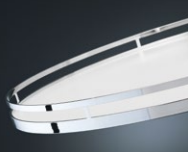


Fig.: Dimensions in mm



Hook-on tray REVO 90°

		ARENA pure	ARENA pure	ARENA pure	ARENA style	ARENA style
Railing		Anthracite	Silver	Silver	Anthracite	Chrome
Base panel colour		Anthracite	Ice white	Grey	Anthracite	Ice white
ARENAplus <i>Anti-slip coating</i>						
Cabinet width	PU 1 set					
800 mm	2 trays	260564 9846	260562 0102	260560 0102	260557 9846	260503 0005
900 mm	2 trays	260565 9846	260563 0102	260561 0102	260556 9846	260506 0005

		ARENA classic	ARENA classic	ARENA classic	ARENA classic
Railing		Chrome	Chrome	Silver	Silver
Base panel colour		Ice white	Grey	Ice white	Grey
ARENAplus <i>Anti-slip coating</i>					
Cabinet width	PU 1 set				
800 mm	2 trays	260554 0005	260532 0005	260554 0102	260532 0102
900 mm	2 trays	260555 0005	260533 0005	260555 0102	260533 0102

REVO 90° set

incl. 4 front panel connectors, 1 cam disc, 1 rotating tray bearing and 1 top panel bracket

Cabinet width	Ice white	Silver	Anthracite
800 and 900 mm	260500 9966	260500 0102	260500 9846





CAROUSEL 270

ROTATING TRAY AXLE-MOUNTED

 KESSEBÖHMER



Technical Support

Short-URL:
<https://kbgo.to/supe>



Product Information

Short-URL:
<https://kbgo.to/270e>

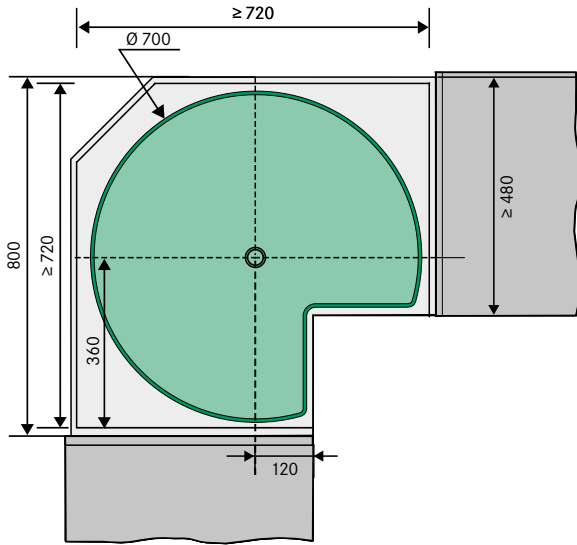


Height-adjustable axle

**270° carousel as corner carousel
behind hinged doors**

**Variable for use in 80 and 90 cm
cabinet widths**

80 cm corner base unit



90 cm corner base unit

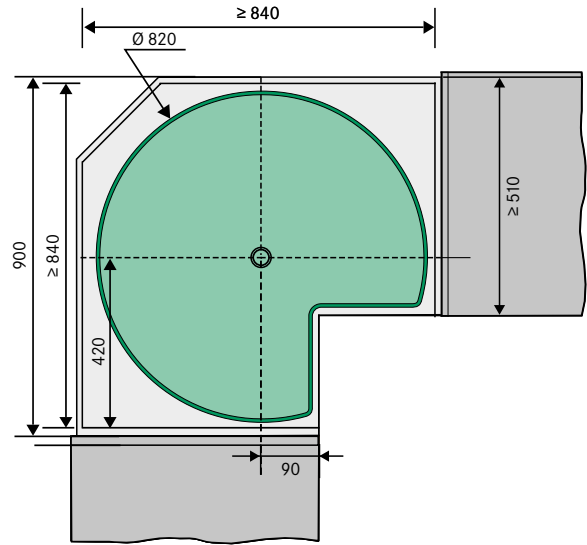







Fig.: Dimensions in mm

Hook-on tray for Carousel 270

PU 1 set = 2 trays

ARENA^{plus}
Anti-slip coating

	ARENA pure	ARENA pure	ARENA pure	ARENA style	ARENA style	ARENA classic	ARENA classic	ARENA classic	ARENA classic
Railing	Anthracite	Silver	Silver	Anthracite	Chrome	Chrome	Chrome	Silver	Silver
Base panel colour	Anthracite	Ice white	Grey	Anthracite	Ice white	Ice white	Grey	Ice white	Grey
Cabinet width									
800 mm	238451 9846	238453 0102	238455 0102	260558 9846	260546 0005	260548 0005	260550 0005	260548 0102	260550 0102
900 mm	238452 9846	238454 0102	238456 0102	260559 9846	260547 0005	260549 0005	260551 0005	260549 0102	260551 0102

Axle

Height adjustable

Height

Chrome

655-745 mm

250052 0005

742-832 mm

260359 0005







CAROUSEL 180

AXLE-MOUNTED

 KESSEBÖHMER



Height-adjustable axle to suit
different cabinet heights

180° trays make good use
of corner space

90 cm corner unit

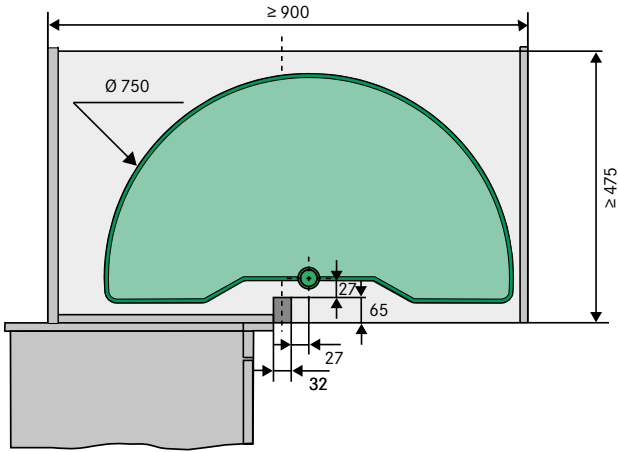


Fig.: Dimensions in mm

Hook-on tray semi-circular carousel

Axle-mounted

1 set = 2 trays

ARENA^{plus}
Anti-slip coating

	ARENA pure	ARENA pure	ARENA pure	ARENA style	ARENA classic	ARENA classic	ARENA classic	ARENA classic
Railing	Anthracite	Silver	Silver	Chrome	Chrome	Chrome	Silver	Silver
Base panel colour	Anthracite	Ice white	Grey	Ice white	Ice white	Grey	Ice white	Grey
Cabinet width								
900 mm	238457 9846	238458 0102	238459 0102	260542 0005	260543 0005	260544 0005	260543 0102	260544 0102

Axle

with top connector
for semi-circular carousel trays

Height	Chrome
655-745 mm	250052 0005
742-832 mm	260359 0005





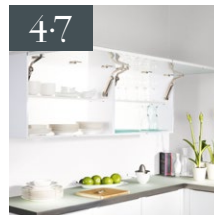
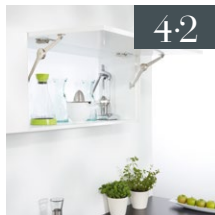
WALL UNIT FITTINGS

CONTENTS



DUO, DUO forte

Classic solution for lift-up fronts



MAXI

Fast installation – and a soft lift

FREEfold & FREEfold short

Elegant performance for tall wall units

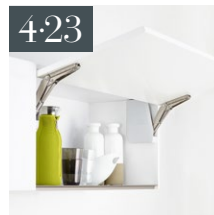


FREEswing

Ideal for medium and large fronts

FREEslide

Solution-oriented multitalent

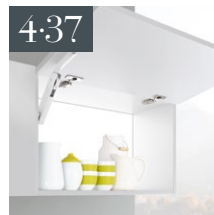
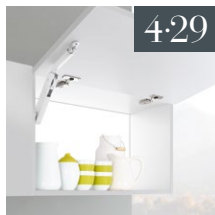


FREEflap mini/ FREEflap forte

Compact lifters, maxi benefits

FREEspace

Beautifully small - simply strong.
The small but mighty fitting for unit fronts.

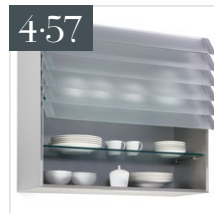


FREElight

Simply good

eTouch for FREElift

Simply press



CLIMBER

Multi-facetted and glamorous

iMove

The intelligent pull-down system for wall units



Technical Support

Short-URL:
<https://kbgo.to/supe>



Product Information

Short-URL:
<https://kbgo.to/04e>





DUO/DUO forte

CLASSIC LIFTER SOLUTIONS

 KESSEBÖHMER



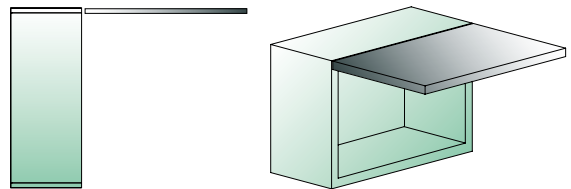
Technical Support

Short-URL:
<https://kbgo.to/supe>

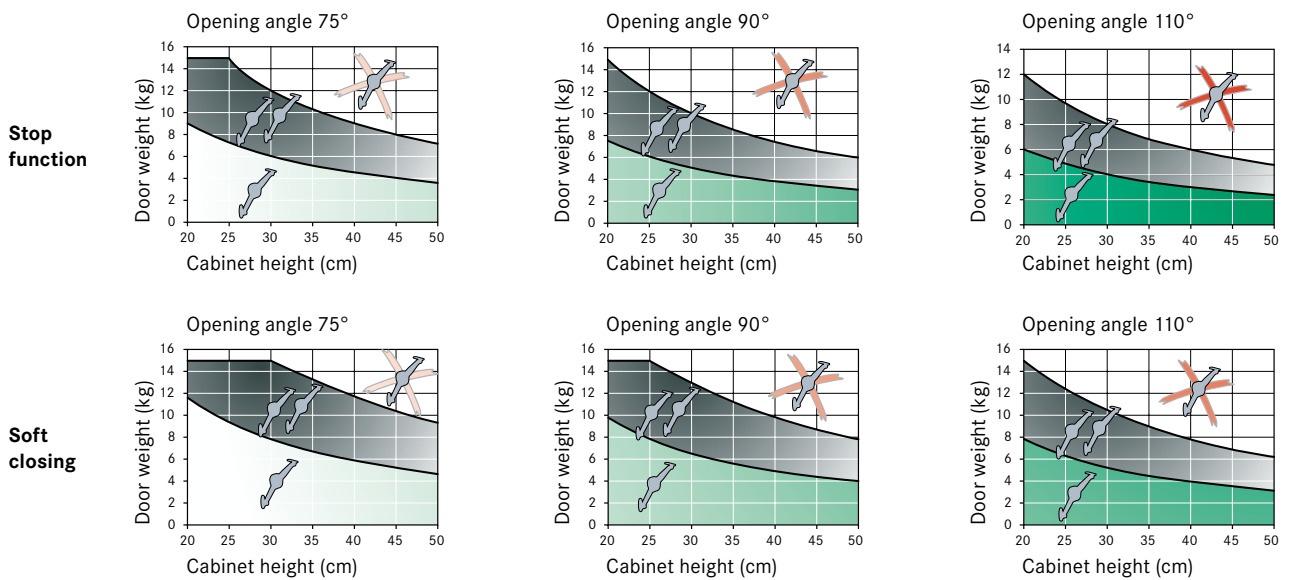


Product Information

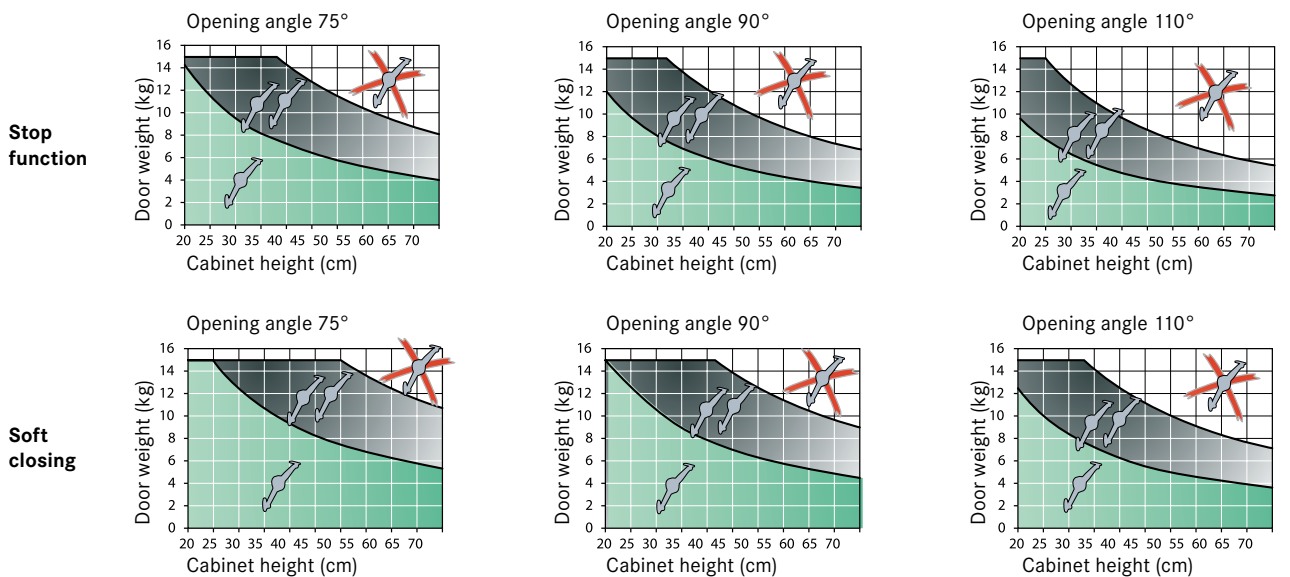
Short-URL:
<https://kbgo.to/ddfe>



Lifting force diagrams for DUO



Lifting force diagrams for DUO forte



Item no.

DUO

271692 0006

For opening angle 75°, 90° and 110°
Fixing bracket for the front
for wood screws (nickel-plated)

Fixing bracket for the carcass:
37 mm hole spacing

Set consists of:

- 1 fitting
- 1 fixing bracket for the carcass
- 1 fixing bracket for the front

Stopping force steplessly adjustable

Install right or left – simplifies logistics and assembly

Applications: for lift-up flaps and drop-down flaps for bar cabinets



DUO forte

271702 0006

For opening angle 75°, 90° und 110°
Fixing bracket for the front
for pan-head screws (nickel-plated)

Fixing bracket for the carcass:
37 mm hole distance

Set consists of:

- 1 fitting
- 1 fixing bracket for the carcass
- 1 fixing bracket for the front

Stopping force steplessly adjustable

Install right or left – simplifies logistics and assembly

Applications: for lift-up flaps and drop-down flaps for bar cabinets



STANDARD WITH:







MAXI

FAST INSTALLATION – AND A SOFT LIFT

 KESSEBÖHMER




Technical Support

Short-URL:
<https://kbgo.to/supe>




Product Information

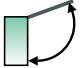
Short-URL:
<https://kbgo.to/maxe>

Opening angle	Carcase height (mm)	Fixing bracket for the front	Model A	Model B	Model C	Model D
			Item no.	Item no.	Item no.	Item no.
		for wood screws	271710 0006	271713 0006	271721 0006	271720 0006
		PU: 25 sets	nickel-plated	nickel-plated	nickel-plated	nickel-plated
		for euro screws	271707 0006	271711 0006	271714 0006	271722 0006
		PU: 25 sets	nickel-plated	nickel-plated	nickel-plated	nickel-plated
 75°	300		3,8-7,1 kg	6,7-13,7 kg	11,9-21,0 kg	15,4-27,3 kg
	400		2,8-5,3 kg	5,0-10,3 kg	8,9-15,8 kg	11,6-20,5 kg
	500		2,3-4,3 kg	4,1-8,3 kg	7,2-12,5 kg	9,4-16,2 kg
	600		1,9-3,5 kg	3,3-7,0 kg	5,9-10,6 kg	7,6-13,7 kg
	700		1,6-3,0 kg	2,8-5,7 kg	5,0-8,8 kg	6,5-11,4 kg
	800		1,4-2,7 kg	2,5-5,1 kg	4,4-7,9 kg	5,7-10,4 kg
	900		1,3-2,4 kg	2,2-4,6 kg	4,0-7,0 kg	5,2-9,1 kg
	1.000		1,1-2,1 kg	2,0-4,1 kg	3,6-6,3 kg	4,6-8,2 kg

Front weights per 1x fitting; for carcasses wider than 600 mm 2x fitting

 90°	300		3,0-5,3 kg	5,1-10,2 kg	9,1-15,8 kg	11,9-20,8 kg
	400		2,3-4,0 kg	3,8-7,6 kg	6,9-11,9 kg	8,9-15,6 kg
	500		1,8-3,2 kg	3,1-6,1 kg	5,5-9,6 kg	7,2-12,5 kg
	600		1,5-2,7 kg	2,6-5,1 kg	4,6-7,9 kg	6,0-10,4 kg
	700		1,3-2,2 kg	2,1-4,2 kg	3,8-6,6 kg	4,9-8,7 kg
	800		1,1-2,0 kg	1,9-3,9 kg	3,4-5,9 kg	4,4-7,8 kg
	900		1,0-1,8 kg	1,7-3,4 kg	3,0-5,2 kg	3,9-6,9 kg
	1.000		0,9-1,6 kg	1,5-3,0 kg	2,7-4,7 kg	3,6-6,2 kg

Front weights per 1x fitting; for carcasses wider than 600 mm 2x fitting

 110°	300		2,4-4,0 kg	3,9-7,5 kg	6,8-11,6 kg	9,2-15,0 kg
	400		1,8-3,0 kg	2,9-5,6 kg	5,1-8,7 kg	6,9-11,2 kg
	500		1,4-2,4 kg	2,4-4,5 kg	4,0-7,1 kg	5,7-9,0 kg
	600		1,2-2,0 kg	1,9-3,8 kg	3,3-5,9 kg	4,5-7,6 kg
	700		1,0-1,7 kg	1,7-3,1 kg	2,9-4,8 kg	3,8-6,2 kg
	800		0,9-1,4 kg	1,4-2,8 kg	2,6-4,3 kg	3,4-5,6 kg
	900		0,8-1,3 kg	1,3-2,5 kg	2,3-3,8 kg	3,0-5,0 kg
	1.000		0,7-1,2 kg	1,1-2,2 kg	2,0-3,5 kg	2,7-4,5 kg

Front weights per 1x fitting;
for carcasses wider than 600 mm 2x fitting



Grey



Beige



White



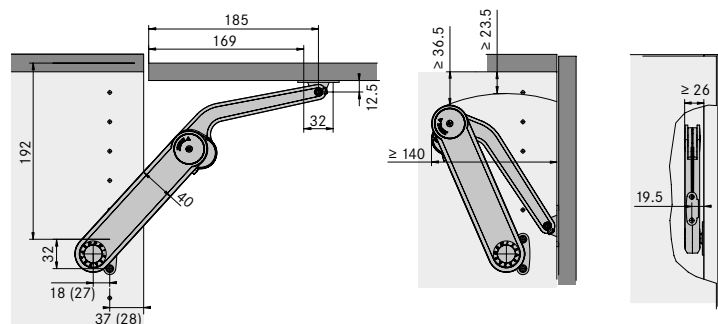
Black

Fig.: 90° Opening angle
(Dimensions in mm)

Fixing bracket for the carcase: 37 mm hole distance

Set consists of:

- 1 fitting
- 1 fixing bracket for the carcase
- 1 fixing bracket for the front



View left carcass side
(lifter installed right)

Front view



FREEfold

ELEGANT PERFORMANCE FOR TALL WALL UNITS

 KESSEBÖHMER



Technical Support

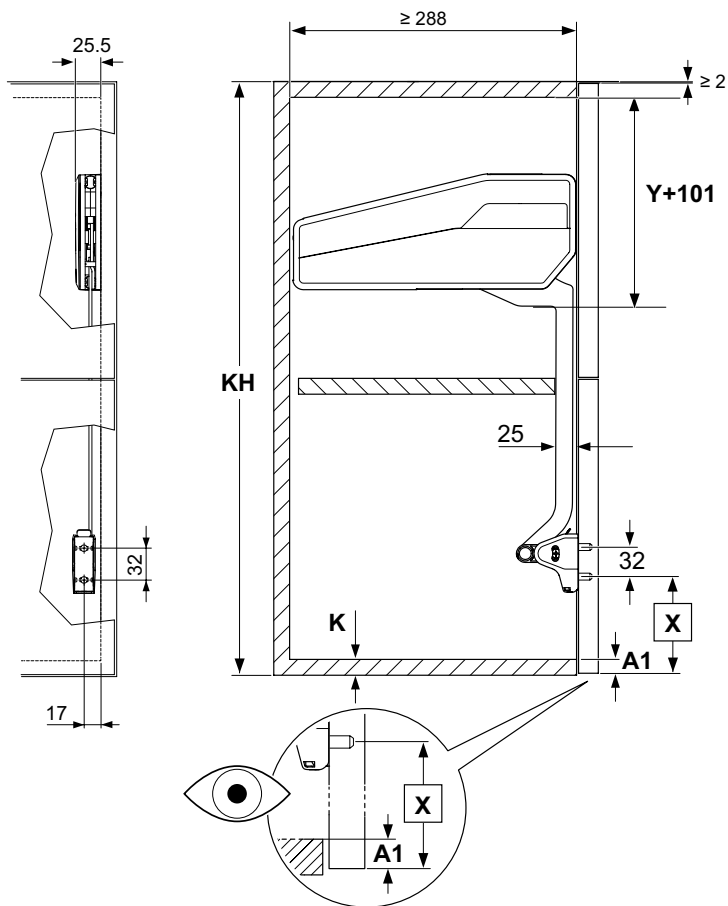
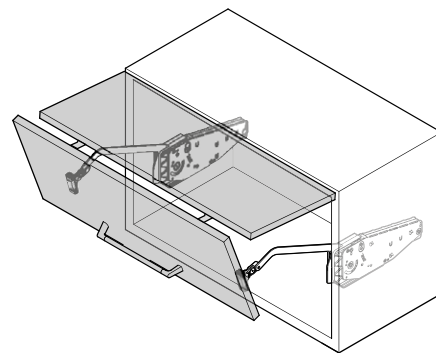
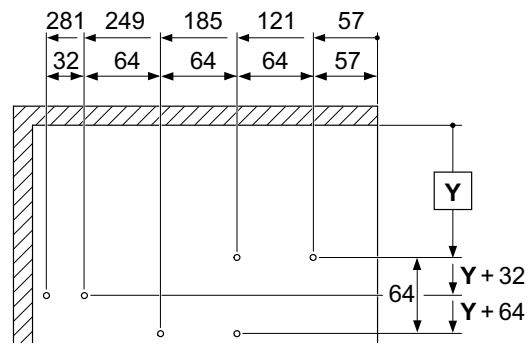
Short-URL:
<https://kbgo.to/supe>

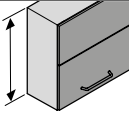


Product Information

Short-URL:
<https://kbgo.to/frde>

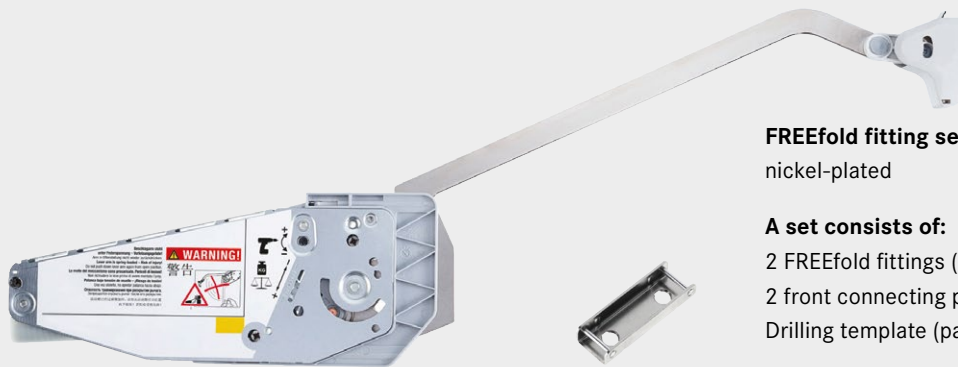
Fig.: Dimensions in mm



	Q	R	S
450-480	1,0	349	313
480-530	1,1	426	328
520-590	1,1	466	347
580-650	1,2	589	377
650-730	1,2	664	409
710-790	1,2	736	439
770-840	1,0	644	467
840-910	1,2	882	501
910-970	1,1	865	533
960-1010	1,1	915	557
1000-1040	1,1	954	576

$$Y = (Q \times KH) - R - K$$

$$X = KH - Y - S - (2 \times K) + A1$$



FREEfold fitting set

nickel-plated

A set consists of:

- 2 FREEfold fittings (right and left)
- 2 front connecting plates
- Drilling template (paper)

Carcase height mm	Front weight* kg	Standard typologies Item no.
450-480	2,8 - 5,7	B1fo 271857
	5,6 - 11,3	B3fo 271858
	8,3 - 16,3	B4fo 271859
480-530	2,6 - 5,2	C1fo 271861
	5,2 - 10,6	C3fo 271862
	7,8 - 15,1	C4fo 271863
520-590	2,4 - 4,9	D1fo 271865
	4,8 - 9,8	D3fo 271866
	7,2 - 14,1	D4fo 271867
	11,8 - 23,3	D5fo 271868
580-650	2,2 - 4,4	E1fo 271869
	4,3 - 8,8	E3fo 271870
	6,0 - 12,2	E4fo 271871
	10,6 - 20,9	E5fo 271872
650-730	1,9 - 4,0	F1fo 271873
	3,9 - 7,9	F3fo 271874
	5,8 - 11,6	F4fo 271875
	9,5 - 18,7	F5fo 271876

*Front weight incl. handle

Carcase height mm	Front weight* kg	Standard typologies Item no.
710-790	3,5 - 7,2	G3fo 271878
	5,2 - 10,3	G4fo 271879
	8,7 - 17,2	G5fo 271880
770-840	3,2 - 6,7	H3fo 271882
	4,9 - 9,8	H4fo 271883
	8,0 - 15,5	H5fo 271884
	12,5 - 20,9	H6fo 272076
840-910	4,5 - 9,0	I4fo 271887
	7,3 - 14,6	I5fo 271888
	10,0 - 20,0	I6fo 272077
910-970	4,2 - 8,0	J4fo 271891
	6,8 - 13,5	J5fo 271892
	9,5 - 17,9	J6fo 272078
960-1010	3,9 - 7,6	K4fo 271895
	6,5 - 12,8	K5fo 271896
	8,6 - 17,3	K6fo 272079
1000-1040	3,7 - 7,3	L4fo 271899
	6,2 - 12,3	L5fo 271900
	8,1 - 16,0	L6fo 272080

Set of dress covers
(right and left)

- Grey
- Ice white
- Anthrazite

Item no.

- 271786 7035**
- 271786 9966**
- 271786 7500**



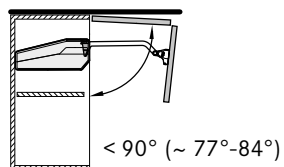
Centre hinge
nickel-plated

- for euro screws
- for wood screws

- 271558 0006**
- 271559 0006**



Opening angle limiter
Grey



- 271958 7040**



Adapter
for 20 mm aluminium frame fronts
nickel-plated

- 271851 0006**

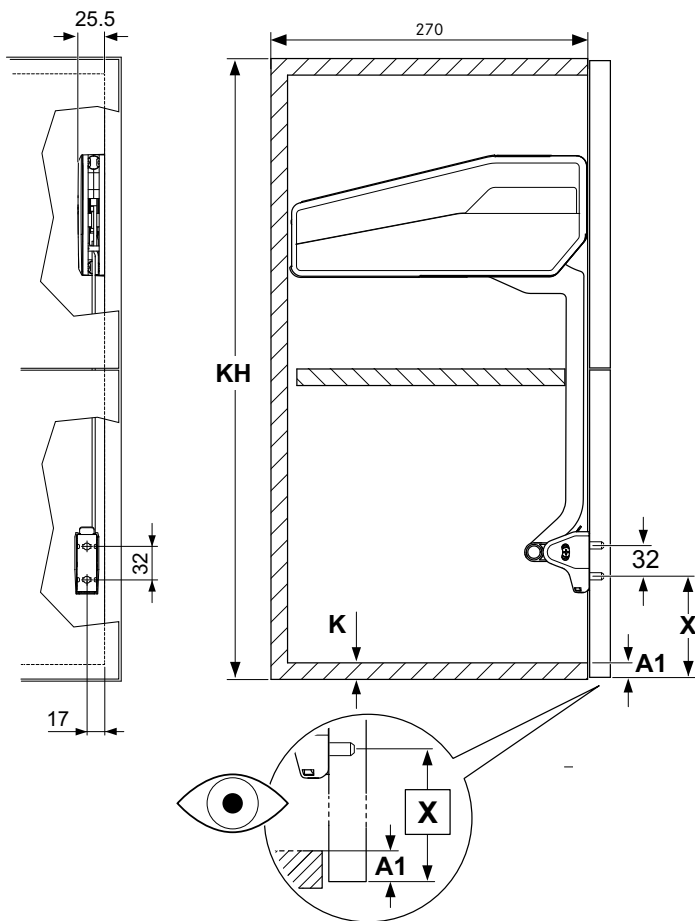
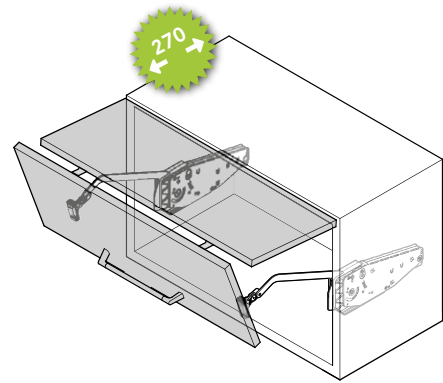
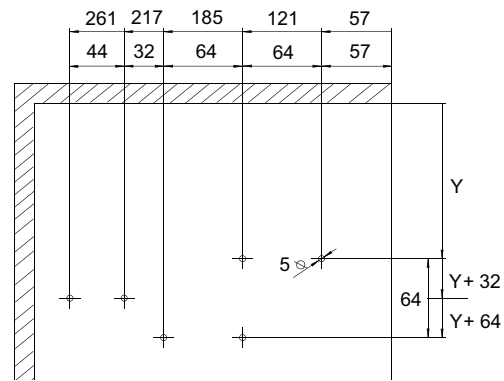


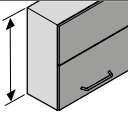
Drilling template FREEfold
Grey

- 271987 7040**



Fig.: Dimensions in mm



	Q	R	S
450-480	1,0	349	313
480-530	1,1	426	328
520-590	1,1	466	347
580-650	1,2	589	377
650-730	1,2	664	409
710-790	1,2	736	439
770-840	1,0	644	467
840-910	1,2	882	501
910-970	1,1	865	533
960-1010	1,1	915	557
1000-1040	1,1	954	576

$$Y = (Q \times KH) - R - K$$

$$X = KH - Y - S - (2 \times K) + A1$$



FREEfold short fitting set

nickel-plated

A set consists of:

- 2 FREEfold fittings (right and left)
- 2 front connecting plates
- Drilling template (paper)

Carcase height mm	Front weight* kg	Standard typologies Item no.
450-480	2,8 - 5,0	B1fs 271999
	5,3 - 10,3	B3fs 272000
	9,8 - 16,9	B4fs 272001
480-530	2,6 - 4,8	C1fs 272002
	5,0 - 10,3	C3fs 272003
	9,3 - 16,0	C4fs 272004
520-590	2,4 - 4,7	D1fs 272005
	5,1 - 9,0	D3fs 272006
	7,9 - 15,2	D4fs 272007
	9,8 - 20,3	D5fs 272008
580-650	2,1 - 3,9	E1fs 272009
	4,1 - 8,6	E3fs 272010
	6,8 - 12,5	E4fs 272011
	10,5 - 17,3	E5fs 272012
650-730	2,0 - 3,5	F1fs 272013
	4,0 - 7,4	F3fs 272014
	7,0 - 11,9	F4fs 272015
	10,2 - 17,2	F5fs 272016

*Front weight incl. handle

Carcase height mm	Front weight* kg	Standard typologies Item no.
710-790	3,7 - 6,3	G3fs 272017
	6,2 - 10,8	G4fs 272018
	8,5 - 14,5	G5fs 272019
770-840	3,6 - 6,1	H3fs 272020
	5,0 - 9,9	H4fs 272021
	7,6 - 14,6	H5fs 272022
	10,5 - 20,9	H6fs 272103
840-910	4,7 - 8,9	I4fs 272023
	7,0 - 12,3	I5fs 272024
	10,0 - 20,0	I6fs 272104
910-970	4,8 - 8,1	J4fs 272025
	6,5 - 11,5	J5fs 272026
	8,9 - 16,8	J6fs 272105
960-1010	4,6 - 8,3	K4fs 272027
	6,5 - 10,7	K5fs 272028
	8,4 - 16,6	K6fs 272106
1000-1040	4,1 - 7,4	L4fs 272029
	5,8 - 10,2	L5fs 272030
	9,1 - 16,5	L6fs 272107

Set of dress covers
(right and left)

- Grey
- Ice white
- Anthrazite

Item no.

- 272031 7035**
- 272031 9966**
- 272031 7500**



Centre hinge
nickel-plated

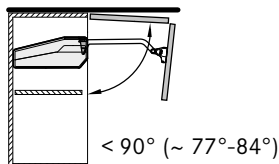
- for euro screws
- for wood screws

- 271558 0006**
- 271559 0006**



Opening angle limiter

Grey



- 271958 7040**



Adapter

for 20 mm aluminium frame fronts
nickel-plated

- 271851 0006**



Drilling template FREEfold short

Grey

- 272057 7040**







FREEswing

IDEAL FOR MEDIUM AND LARGE FRONTS

 KESSEBÖHMER



Technical Support

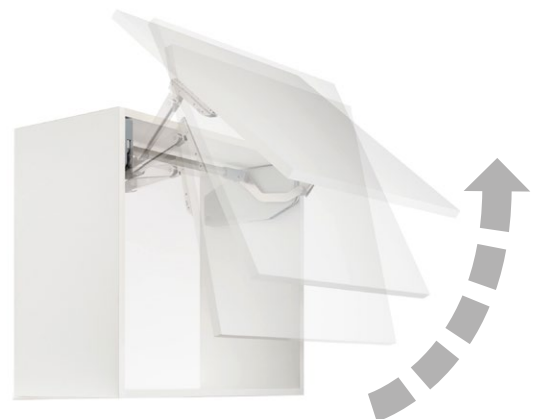
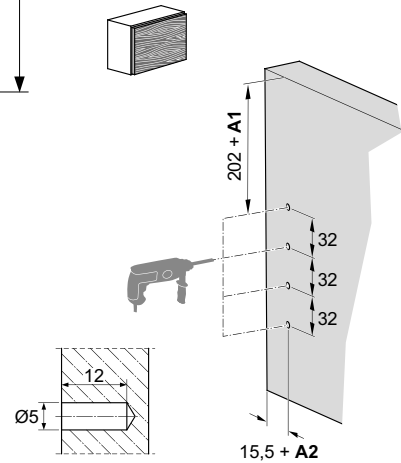
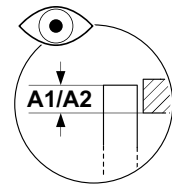
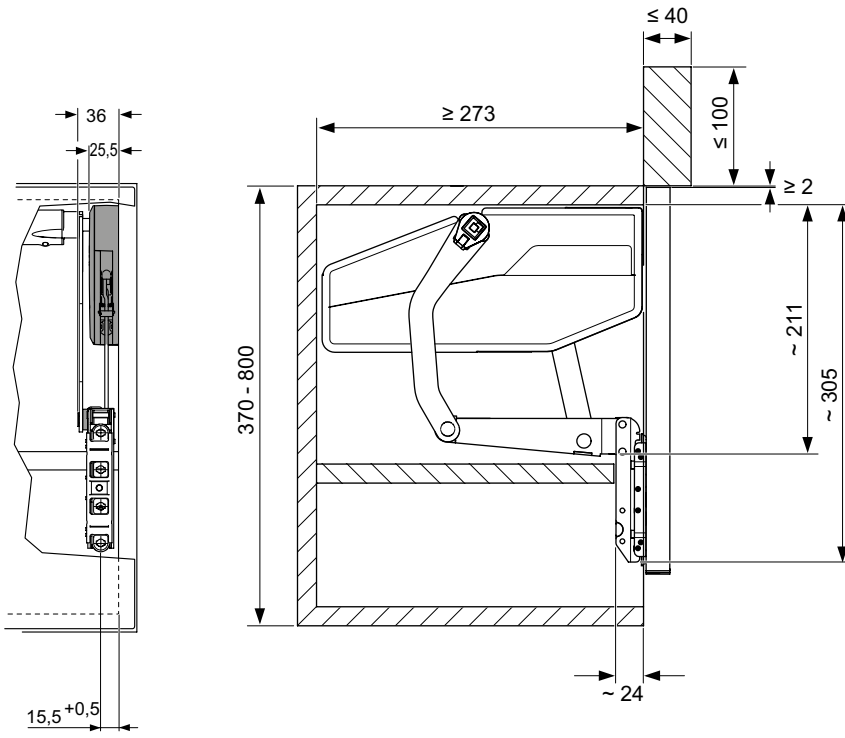
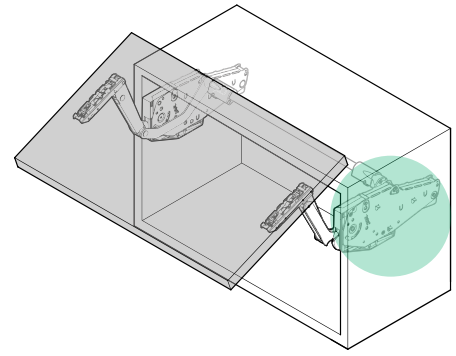
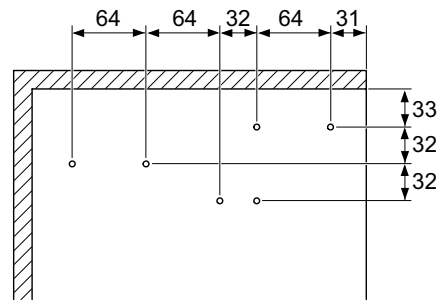
Short-URL:
<https://kbgo.to/supe>

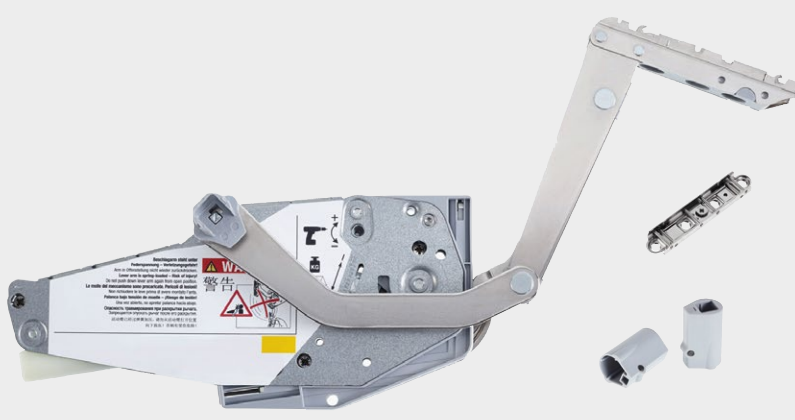


Product Information

Short-URL:
<https://kbgo.to/frge>

Fig.: Dimensions in mm





FREEswing fitting set

nickel-plated

A set consists of:

2 FREEswing fittings (right and left)

2 front connecting plates

2 sleeves

Drilling template (paper)

(PTO: 1 PTO ejector 272072 included)

Carcase height mm	Front weight* kg	Standard typologies Item no.	PTO typologies Item no.
370	1,8 - 4,0	S1sw 271923	S1sw pto 272126
	3,4 - 6,5	S4sw 271926	S4sw pto 272129
	5,2 - 10,3	S7sw 271929	S7sw pto 272132
400	1,8 - 3,9	S1sw 271923	S1sw pto 272126
	3,3 - 6,3	S4sw 271926	S4sw pto 272129
	5,0 - 10,0	S7sw 271929	S7sw pto 272132
450	1,8 - 3,7	S1sw 271923	S1sw pto 272126
	3,2 - 6,1	S4sw 271926	S4sw pto 272129
	4,8 - 9,4	S7sw 271929	S7sw pto 272132
500	1,9 - 3,5	S1sw 271923	S1sw pto 272126
	3,0 - 5,8	S4sw 271926	S4sw pto 272129
	4,5 - 8,9	S7sw 271929	S7sw pto 272132
500	2,5 - 5,9	S2sw 271924	S2sw pto 272127
	5,0 - 10,0	S5sw 271927	S5sw pto 272130
	8,2 - 15,9	S8sw 271930	S8sw pto 272133
550	2,5 - 5,6	S2sw 271924	S2sw pto 272127
	4,8 - 9,6	S5sw 271927	S5sw pto 272130
	7,8 - 15,2	S8sw 271930	S8sw pto 272133

*Front weight incl. handle

***on request

Carcase height mm	Front weight* kg	Standard typologies Item no.	PTO typologies Item no.
600	2,5 - 5,3	S2sw 271924	S2sw pto 272127
	4,7 - 9,3	S5sw 271927	S5sw pto 272130
	7,5 - 14,5	S8sw 271930	S8sw pto 272133
670	2,5 - 4,8	S2sw 271924	S2sw pto 272127
	4,5 - 8,8	S5sw 271927	S5sw pto 272130
	7,0 - 13,5	S8sw 271930	S8sw pto 272133
670	3,2 - 6,5	S3sw 271925	S3sw pto 272128
	5,7 - 11,3	S6sw 271928	S6sw pto 272131
	8,5 - 17,1	S9sw 271931	S9sw pto 272134
700	3,1 - 6,3	S3sw 271925	S3sw pto 272128
	5,6 - 11,1	S6sw 271928	S6sw pto 272131
	8,4 - 16,7	S9sw 271931	S9sw pto 272134
750	3,0 - 6,0	S3sw 271925	S3sw pto 272128
	5,4 - 10,7	S6sw 271928	S6sw pto 272131
	8,2 - 16,0	S9sw 271931	S9sw pto 272134
800	2,9 - 5,7	S3sw 271925	S3sw pto 272128
	5,3 - 10,3	S6sw 271928	S6sw pto 272131
	8,0 - 15,3	S9sw 271931	S9sw pto 272134

Set of dress covers

(right and left)

Grey
Ice white
Anthrazite

Item no.

271820 7035
271820 9966
271820 7500



Adapter

for 20 mm aluminium frame fronts
nickel-plated

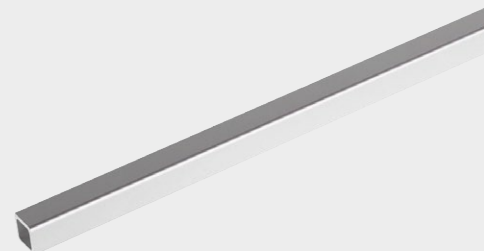
Item no.

271687 0006



Connecting rod anodised aluminium

Carcase width mm	Carcase wall mm	Length mm	Item no.	Carcase width mm	Carcase wall mm	Length mm	Item no.
450	16/19	324	271916 0038	1.000	16/19	874	271921 0038
500	16/19	374	271917 0038	1.200	16/19	1.074	271922 0038
600	16/19	474	271918 0038	1.600	16/19	1.470	271854 0038
800	16/19	674	271919 0038	1.800	16/19	1.674	271941 0038
900	16/19	774	271920 0038	KB	16/19	KB-(2 x K)-88	



Drilling template FREEswing

Grey

Item no.

271988 7040







FREEslide

SOLUTION-ORIENTED
MULTITALENT

 KESSEBÖHMER



Technical Support

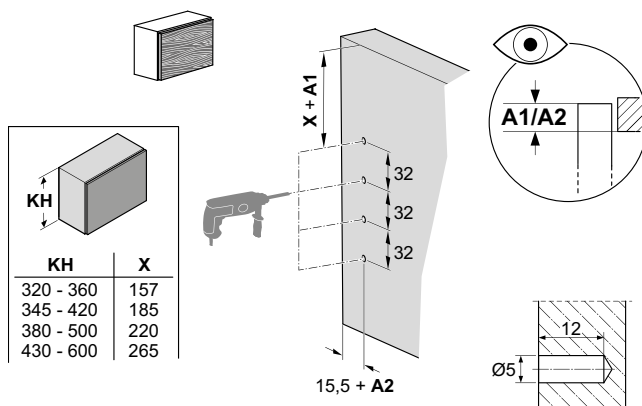
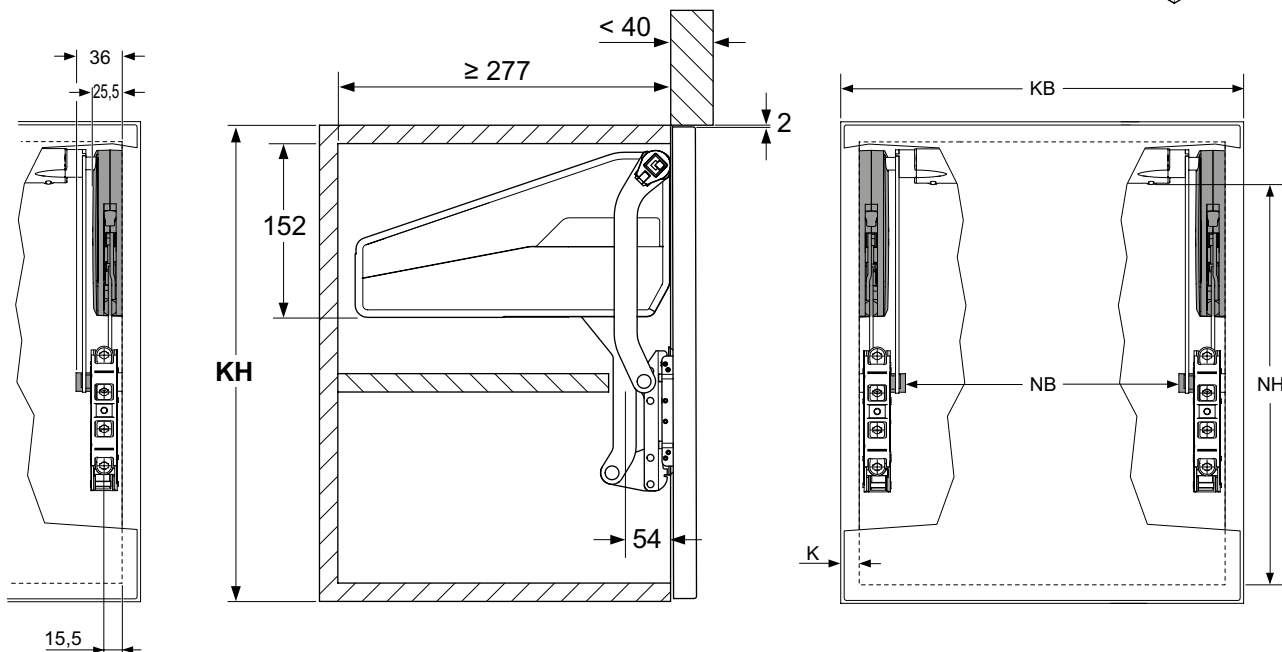
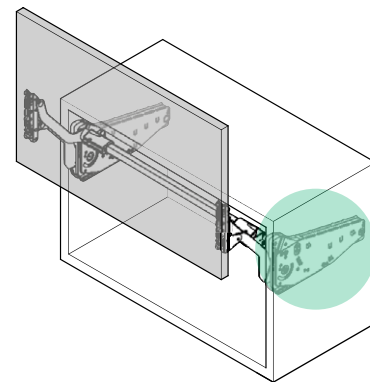
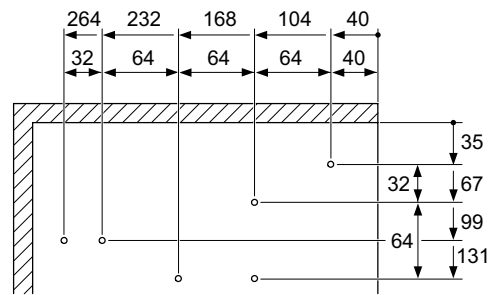
Short-URL:
<https://kbgo.to/supe>



Product Information

Short-URL:
<https://kbgo.to/frse>

Fig.: Dimensions in mm






FREEslide fitting set

nickel-plated

A set consists of:

- 2 FREEslide fittings (right and left)
- 2 front connecting plates
- 2 sleeves
- Drilling template (paper)
- (PTO: 1 PTO ejector 272072 included)

Carcase height mm	Clear inside height mm	Front weight* kg	Standard typologies	Item no.	PTO typologies	 Item no.	Usable inside height (NH)	Usable inside width (NB)
320-360	≥280	3,0 - 5,7	O1us	271901	O1us pto	***	ca. 240-280 mm	KB - 2xK - 2x36
		4,8 - 9,3	O2us	271902	O2us pto	***		
		8,7 - 16,5	O3us	271903	O3us pto	***		
345-420	≥308	2,4 - 4,8	P1us	271904	P1us pto	272135	ca. 265-340 mm	KB - 2xK - 2x36
		4,1 - 8,0	P2us	271905	P2us pto	272136		
		7,4 - 14,0	P3us	271906	P3us pto	272137		
		11,0 - 19,6	P4us	271907	P4us pto	272138		
380-500	≥343	2,0 - 3,8	Q1us	271908	Q1us pto	272139	ca. 300-420 mm	KB - 2xK - 2x36
		3,4 - 6,7	Q2us	271909	Q2us pto	272140		
		6,3 - 11,8	Q3us	271910	Q3us pto	272141		
		9,3 - 17,4	Q4us	271911	Q4us pto	272142		
430-600	≥388	1,6 - 3,3	R1us	271912	R1us pto	272143	ca. 350-520 mm	KB - 2xK - 2x36
		2,6 - 5,5	R2us	271913	R2us pto	272144		
		5,0 - 9,7	R3us	271914	R3us pto	272145		
		7,4 - 14,6	R4us	271915	R4us pto	272146		

*Front weight incl. handle

***on request

Set of dress covers
(right and left)

- Grey
- Ice white
- Anthrazite

Item no.

- 271810 7035**
- 271810 9966**
- 271810 7500**



Adapter

for 20 mm aluminium frame fronts
nickel-plated

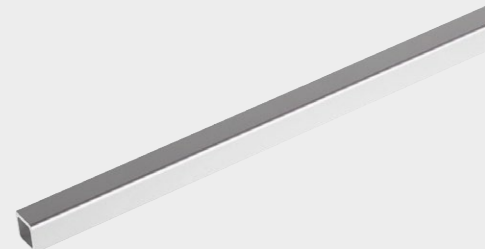
271687 0006



Connecting rod anodised aluminium

Carcase width mm	Carcase wall mm	Length mm	Item no.
450	16/19	324	271916 0038
500	16/19	374	271917 0038
600	16/19	474	271918 0038
800	16/19	674	271919 0038
900	16/19	774	271920 0038

Carcase width mm	Carcase wall mm	Length mm	Item no.
1.000	16/19	874	271921 0038
1.200	16/19	1.074	271922 0038
1.600	16/19	1.470	271854 0038
1.800	16/19	1.674	271941 0038
KB	16/19	KB-(2 x K)-88	



Drilling template FREEslide

Grey

271989 7040







FREEflap mini/FREEflap forte

SMALL LIFTER, GREAT PERFORMANCE

 KESSEBÖHMER



Technical Support

Short-URL:
<https://kbgo.to/supe>

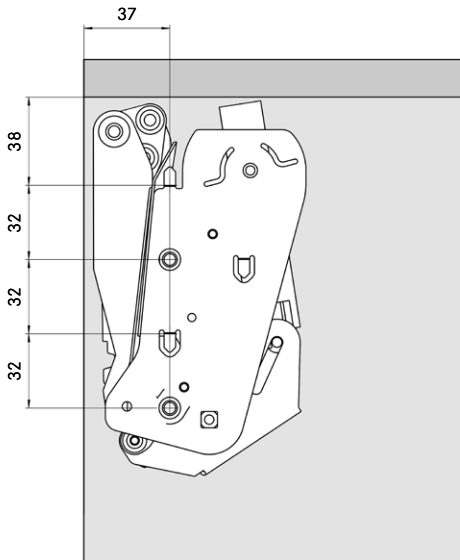


Product Information

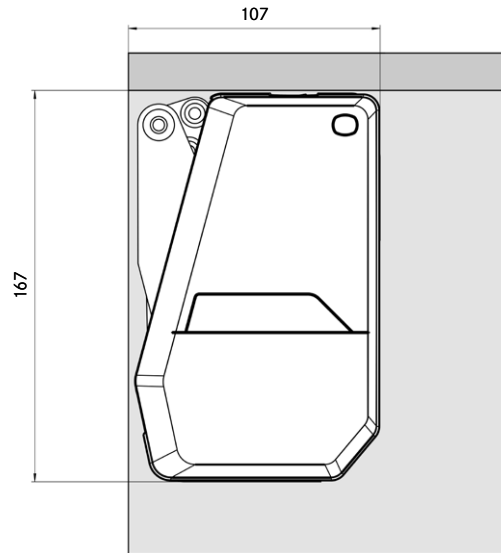
Short-URL:
<https://kbgo.to/frpe>

FREEflap mini

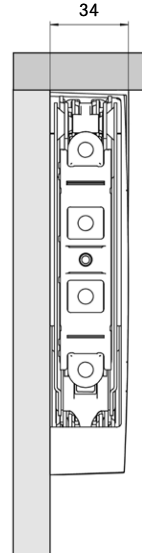
Fig.: Dimensions in mm



View from right (left fitting)

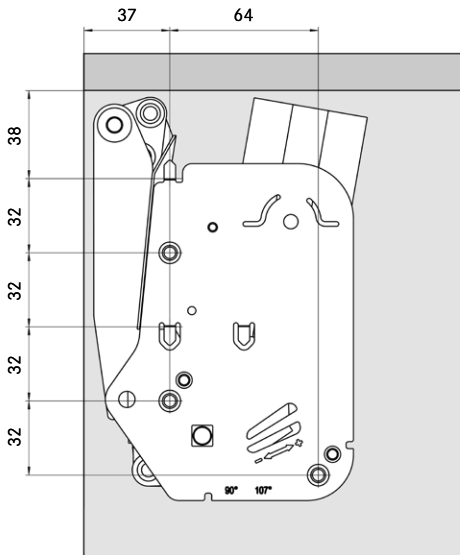


Left fitting with dress cover

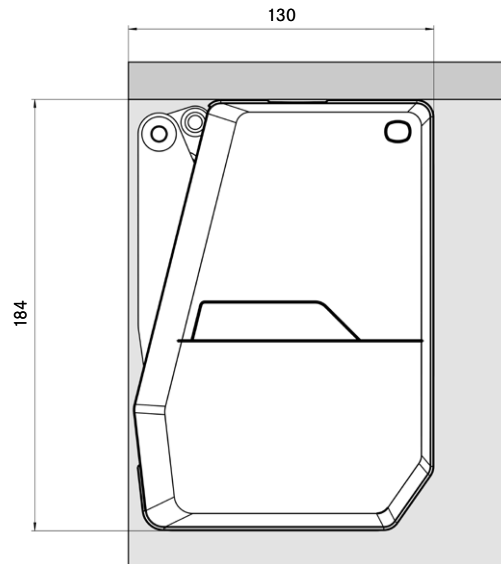


Front view

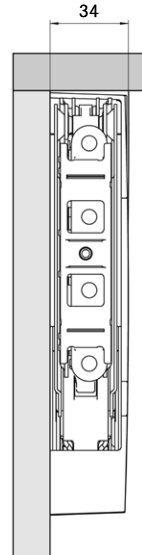
FREEflap forte



View from right (left fitting)

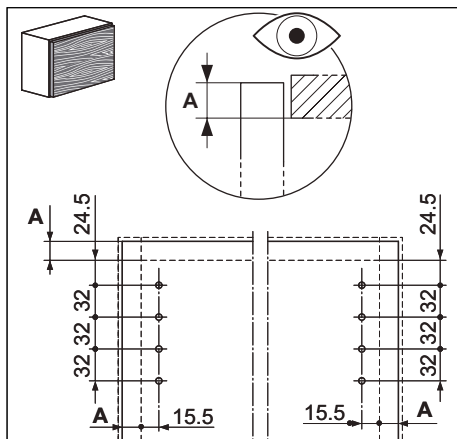


Left fitting with dress cover

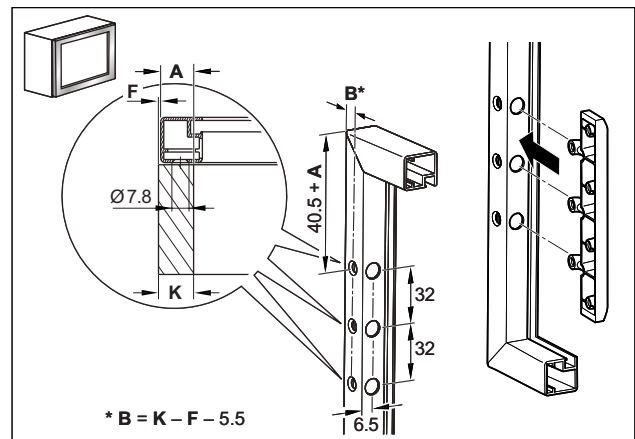


Front view

FREEflap forte



Front connectors for wooden front panels and wide aluminium frames



Front connectors for 20 mm aluminium frames

FREEflap mini

Item no.	FREEflap mini - A	FREEflap mini - B	FREEflap mini - C
Grey	271661 7035	271662 7035	271663 7035
Ice white	271661 9966	271662 9966	271663 9966
Anthracite	271661 7500	271662 7500	271663 7500
Carcase height mm	Front weight* kg	Front weight* kg	Front weight* kg
≥200	1,7 - 4,6	3,7 - 7,9	6,8 - 14,7
≤225	1,5 - 4,1	3,1 - 7,1	6,0 - 13,1
≤250	1,3 - 3,8	2,9 - 6,4	5,4 - 11,8
≤275	1,2 - 3,3	2,5 - 5,7	4,8 - 10,6
≤300	1,1 - 3,1	2,4 - 5,1	4,4 - 9,6
≤325	1,0 - 2,8	2,1 - 4,6	4,0 - 8,8
≤350	0,9 - 2,6	2,0 - 4,2	3,7 - 8,1
≤375	0,9 - 2,3	1,9 - 3,8	3,5 - 7,5
≤400	0,8 - 2,1	1,7 - 3,6	3,2 - 7,0
≤425	0,7 - 1,9	1,5 - 3,4	2,9 - 6,5
≤450	0,6 - 1,7	1,4 - 3,2	2,7 - 6,1

*Front weight incl. 2 x handle weights



A set consists of:

- 2 FREEflap mini fitting (right and left)
- 2 dress covers for the fittings (right and left)
- 2 front connecting plates
- Drilling template (paper)

Total opening angle: 107°

FREEflap forte

Product code	FREEflap forte - D	FREEflap forte - E	FREEflap forte - F	FREEflap forte - G
Grey	271664 7035	271665 7035	271666 7035	271667 7035
Ice white	271664 9966	271665 9966	271666 9966	271667 9966
Anthracite	271664 7500	271665 7500	271666 7500	271667 9966
Carcase height mm	Front weight* kg	Front weight* kg	Front weight* kg	Front weight* kg
≥350	5,2 - 11,0	6,7 - 14,3	10,1 - 21,4	13,5 - 27,3
≤375	4,9 - 10,2	6,3 - 13,1	9,4 - 19,8	12,5 - 25,2
≤400	4,7 - 9,6	5,9 - 12,4	8,9 - 18,6	11,8 - 23,3
≤425	4,4 - 9,0	5,6 - 11,6	8,3 - 17,4	11,0 - 21,8
≤450	4,1 - 8,4	5,2 - 10,9	7,8 - 16,3	10,4 - 20,5
≤475	3,9 - 8,0	4,9 - 10,3	7,4 - 15,4	9,8 - 19,3
≤500	3,7 - 7,5	4,7 - 9,7	7,0 - 14,6	9,2 - 18,3
≤525	3,5 - 7,1	4,4 - 9,2	6,6 - 13,9	8,8 - 17,3
≤550	3,3 - 6,8	4,2 - 8,8	6,3 - 13,2	8,3 - 16,5
≤575	3,2 - 6,5	4,0 - 8,4	6,0 - 12,5	8,0 - 15,6
≤600	3,0 - 6,2	3,8 - 8,0	5,7 - 12,0	7,6 - 15,0
≤625	2,8 - 5,9	3,6 - 7,6	5,4 - 11,5	7,2 - 14,4
≤650	2,6 - 5,6	3,4 - 7,3	5,3 - 11,0	6,9 - 14,0

*Front weight incl. 2 x handle weights



A set consists of:

- 2 FREEflap forte fittings (right and left)
- 2 dress covers for the fittings (right and left)
- 2 front connecting plates
- Drilling template (paper)

Total opening angle: 107°

90° opening angle limiter integrated in fitting

Adapter

for 20 mm aluminium frame fronts
nickel-plated

Item no.
271687 0006



Opening angle limiter 90°

for FREEflap mini
Grey

Item no.
271688 7035



Drilling template FREEflap

Grey

Item no.
271990 7040





FREEflap push-to-open

MORE COMFORT, MORE VERSATILITY,
IDEAL FOR NO-HANDLE FRONTS



FREEflap PTO · ejector type assignment

Typology and front dimensions:

FREEflap mini				Front weight		
Carcase height		kg	kg	kg	kg	kg
mm						
250	A	1,3 - 3,1	3,1 - 3,8	-	-	-
	B	-	2,9 - 5,1	5,1 - 6,4	-	-
	C	-	-	5,4 - 6,9	6,9 - 10,5	10,5 - 11,8
275	A	1,2 - 3,0	3,0 - 3,3	-	-	-
	B	2,5 - 3,3	3,3 - 5,0	5,0 - 5,7	-	-
	C	-	-	4,8 - 6,8	6,8 - 10,0	10,0 - 10,6
300	A	1,1 - 2,7	2,7 - 3,1	-	-	-
	B	2,4 - 3,0	3,0 - 4,6	4,6 - 5,1	-	-
	C	-	-	4,4 - 6,6	6,6 - 9,6	-
325	A	1,0 - 2,6	2,6 - 2,8	-	-	-
	B	2,1 - 3,0	3,0 - 4,2	4,2 - 4,6	-	-
	C	-	-	4,0 - 6,0	6,0 - 8,8	-
350	A	0,9 - 2,4	2,4 - 2,6	-	-	-
	B	2,0 - 2,9	2,9 - 4,2	-	-	-
	C	-	3,7 - 3,9	3,9 - 5,9	5,9 - 8,1	-
375	A	0,9 - 2,3	-	-	-	-
	B	1,9 - 2,7	2,7 - 3,8	-	-	-
	C	-	3,5 - 3,9	3,9 - 5,7	5,7 - 7,5	-
400	A	0,8 - 2,1	-	-	-	-
	B	1,7 - 2,7	2,7 - 3,6	-	-	-
	C	-	3,2 - 3,8	3,8 - 5,6	5,6 - 7,0	-

FREEflap forte				Front weight		
Carcase height		kg	kg	kg	kg	kg
mm						
400	D	-	4,7 - 9,0	9,0 - 9,6	-	-
	E	-	5,9 - 7,9	7,9 - 11,6	11,6 - 12,4	-
	F	-	-	8,9 - 10,7	10,7 - 17,2	17,2 - 18,6
	G	-	-	11,8 - 12,3	12,3 - 17,9	17,9 - 23,3
450	D	4,1 - 5,0	5,0 - 8,4	-	-	-
	E	-	5,2 - 7,9	7,9 - 10,9	-	-
	F	-	-	7,8 - 10,2	10,2 - 16,3	-
	G	-	-	10,4 - 10,8	10,8 - 16,7	16,7 - 20,5
500	D	3,7 - 4,9	4,9 - 7,5	-	-	-
	E	-	4,7 - 7,8	7,8 - 9,7	-	-
	F	-	-	7,0 - 10,0	10,0 - 14,6	-
	G	-	-	9,2 - 10,7	10,7 - 16,0	16,0 - 18,3
550	D	3,3 - 4,9	4,9 - 6,8	-	-	-
	E	4,2 - 4,5	4,5 - 7,5	7,5 - 8,8	-	-
	F	-	6,3 - 6,8	6,8 - 9,7	9,7 - 13,2	-
	G	-	-	8,3 - 10,4	10,4 - 15,3	15,3 - 16,5
600	D	3,0 - 4,7	4,7 - 6,2	-	-	-
	E	3,8 - 4,2	4,2 - 7,2	7,2 - 8,0	-	-
	F	-	5,7 - 6,7	6,7 - 9,2	9,2 - 12,0	-
	G	-	-	7,6 - 10,2	10,2 - 15,0	-

Accompanying ejector	Item no.	Item no.	Item no.	Item no.	Item no.
	1x	1x	1x	2x	2x
	272072	272073	272074	272073	272074

PTO housing

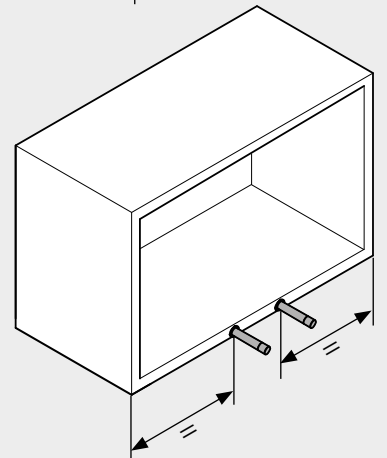
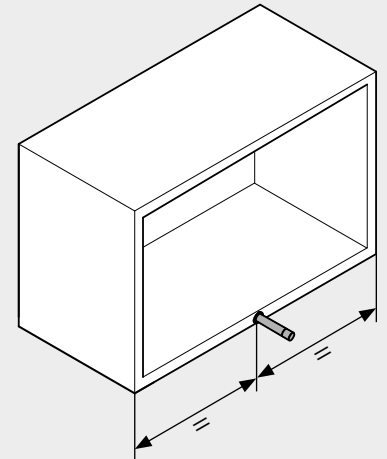
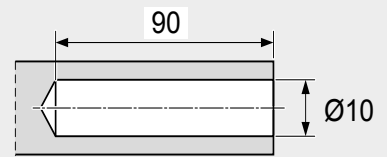
for screwing into place

Grey	7035
Anthracite	7500
White	9966

272075 7035

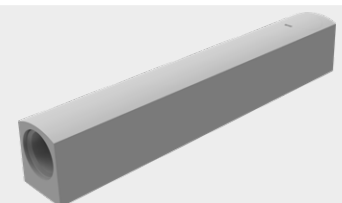
272075 7500

272075 9966



Type	Color	Length	Item no.
Type I	Green	17-23 N	272072
Type II	Yellow	22-34 N	272073
Type III	Blue	26-48 N	272074

Grey	7035
Anthracite	7500
White	9966







reddot design award
winner 2019

interzum

Award

2019

FREEspace

BEAUTIFULLY SMALL - SIMPLY STRONG.
THE SMALL BUT MIGHTY FITTING FOR UNIT FRONTS.

KESSEBÖHMER



Technical Support

Short-URL:
<https://kbgo.to/supe>



Product Information

Short-URL:
<https://kbgo.to/fspe>

FREEspace

EXTREMELY EASY INSTALLATION
INSIDE THE CARCASE:
JUST ONE SCREW.

Guaranteed to be perfectly positioned:
thanks to the positioning pins, the fitting is attached
accurately to the side panel and is self-retaining.

Just tighten the pre-installed euro screw - done!



EXTREMELY EASY ASSEMBLY OF THE FRONT PANEL
TOOL-FREE WITH CLICKFIXX.

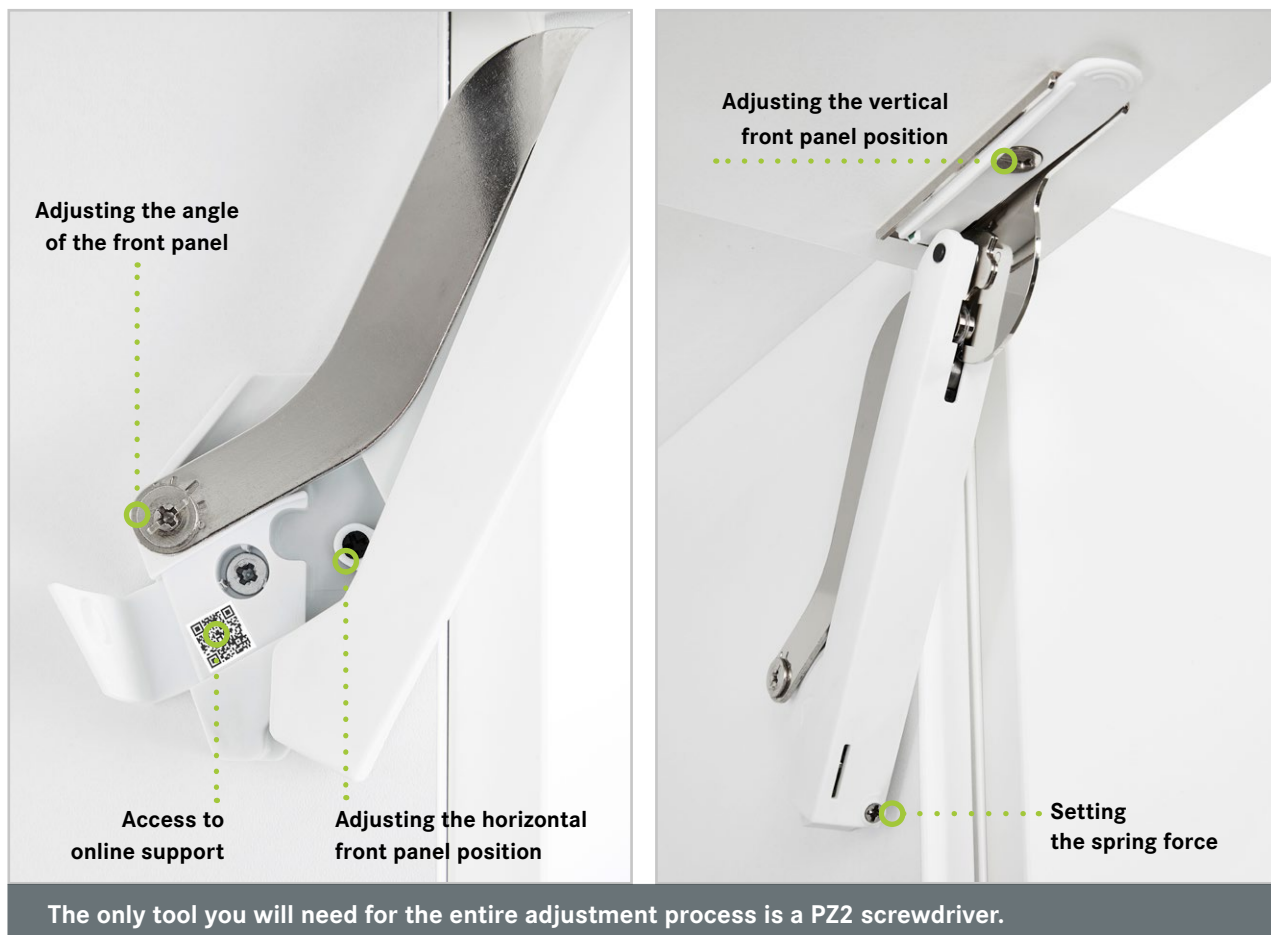


Guide the front panel into the connecting piece ...

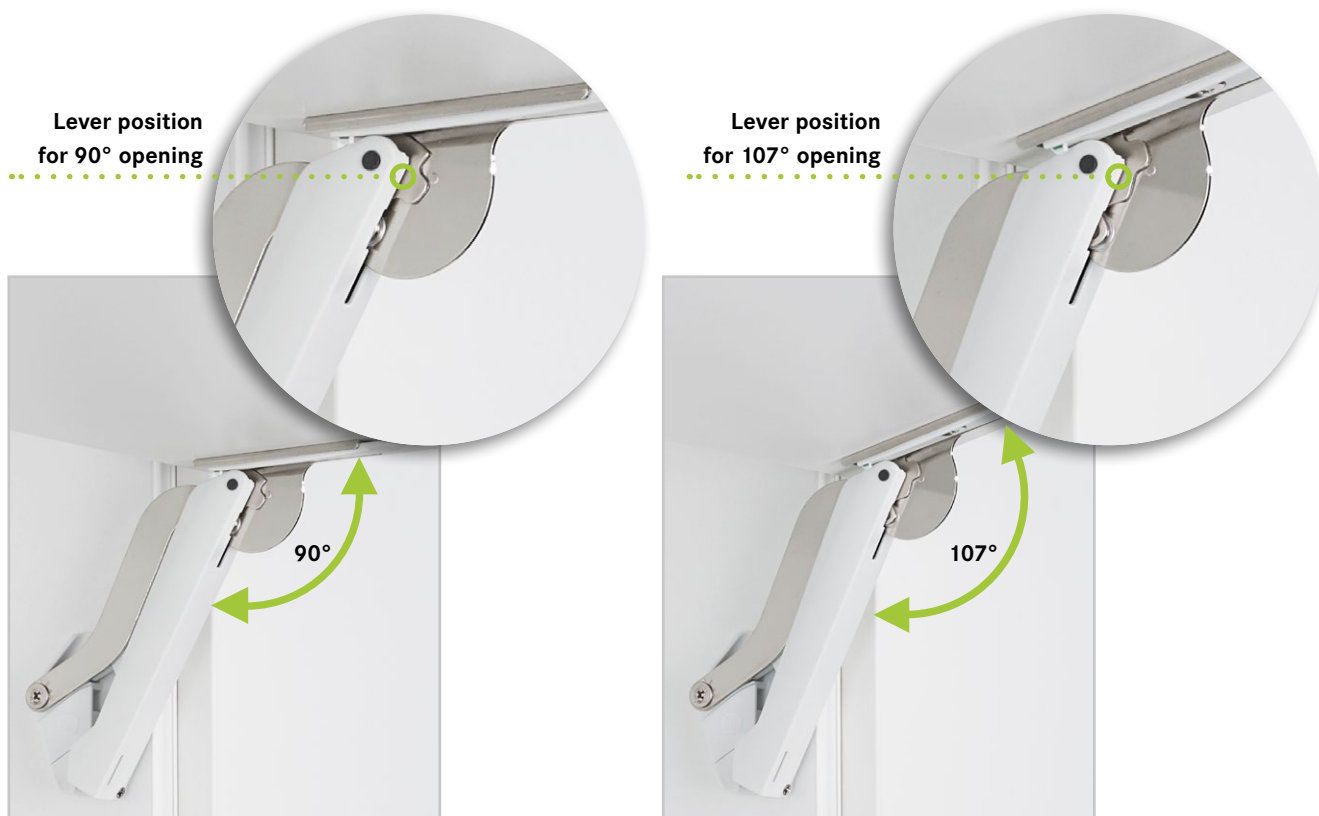


... and push it into the catch mechanism.

ADJUSTMENT – INTUITIVE AND CLEAR.



OPENING ANGLE LIMITER INCLUDED.





Item no.

FREEspace set

1 fitting, left

1 fitting, right

2 front connectors with 2 screws each

272234

Type B

272235

Type C

272236

Type D

272237

Type E

272238

Type F

Colour code:

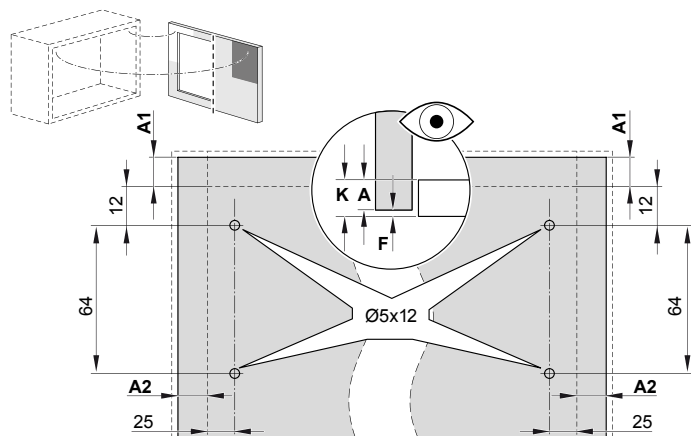
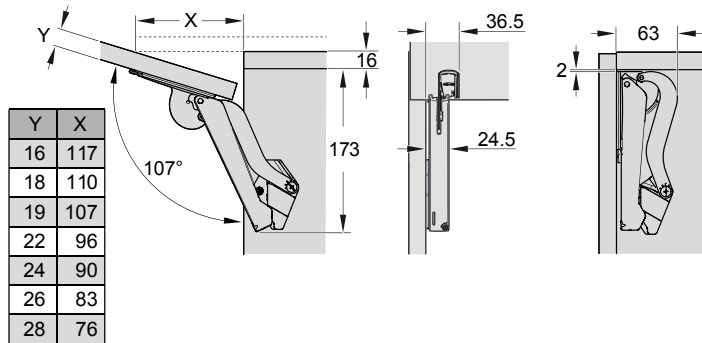
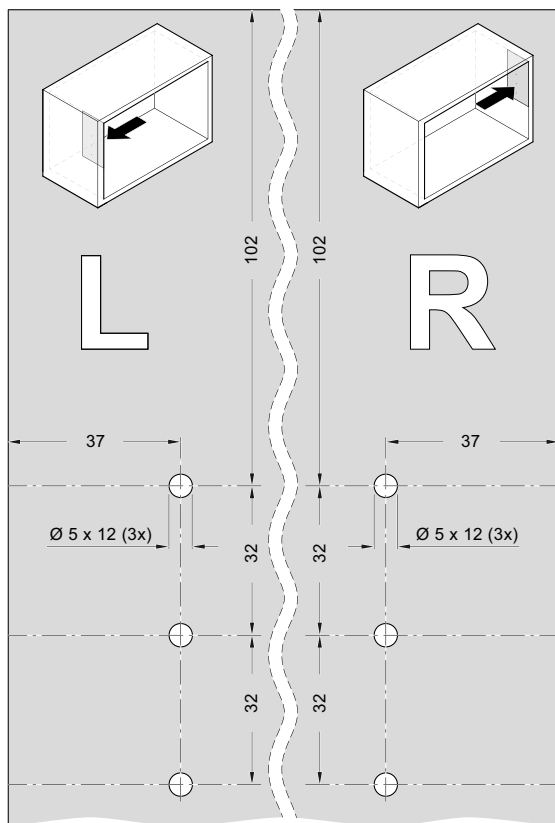
Ice white 9966

Grey 7035

Anthracite 7500

	Type B	Type C	Type D	Type E	Type F
Ice white	272234 9966	272235 9966	272236 9966	272237 9966	272238 9966
Grey	272234 7035	272235 7035	272236 7035	272237 7035	272238 7035
Anthracite	272234 7500	272235 7500	272236 7500	272237 7500	272238 7500
Front height mm	Front weight* kg	Front weight* kg	Front weight* kg	Front weight* kg	Front weight* kg
225	2,3-4,3	3,8-7,1	6,4-9,3	9,2-13,4	13,4-19,1
250	1,9-3,9	3,4-6,4	5,8-9,1	8,3-12,6	12,1-17,2
275	1,9-3,5	3,1-5,8	5,3-8,2	7,5-12,0	11,0-15,6
300	1,7-3,2	2,8-5,3	4,8-7,5	6,9-11,0	10,1-14,3
325	1,6-3,0	2,6-4,9	4,4-7,0	6,4-10,2	9,3-13,2
350	1,5-2,8	2,4-4,6	4,1-6,5	5,9-9,5	8,6-12,3
375	1,3-2,6	2,2-4,3	3,8-6,0	5,5-8,8	8,1-11,4
400	1,2-2,4	2,1-4,0	3,6-5,6	5,2-8,3	7,6-10,7
425	1,1-2,3	2,0-3,8	3,4-5,3	4,9-7,8	7,1-10,1
450	1,0-2,1	1,9-3,5	3,2-5,0	4,6-7,3	6,7-9,5
475	1,0-2,0	1,8-3,4	3,0-4,7	4,3-7,0	6,4-9,0
500	0,9-1,9	1,7-3,2	2,9-4,5	4,1-6,6	6,0-8,6
525	0,9-1,8	1,6-3,0	2,7-4,3	3,9-6,3	5,7-8,2
550	0,8-1,7	1,5-2,9	2,6-4,1	3,7-6,0	5,5-7,8
575	0,8-1,7	1,4-2,8	2,5-3,9	3,6-5,7	5,2-7,4
600	0,8-1,6	1,4-2,7	2,4-3,7	3,4-5,5	5,0-7,1
625	0,7-1,5	1,3-2,5	2,3-3,6	3,3-5,3	4,8-6,8
650	0,7-1,5	1,3-2,4	2,2-3,5	3,2-5,1	4,6-6,6

*Front weight incl. 2x handle weight



<http://support.kesseboehmer.de/freespace>



Item no.



FREEspace pto set

1 fitting, left

1 fitting, right

2 front connectors with 2 screws each

1 pto ejector (colour like fitting)

272243

Type B pto

272244

Type C pto

272245

Type D pto

272246

Type E pto

Colour code:

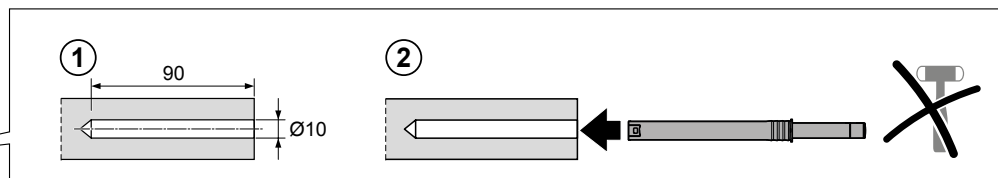
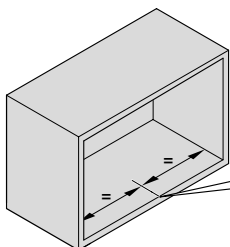
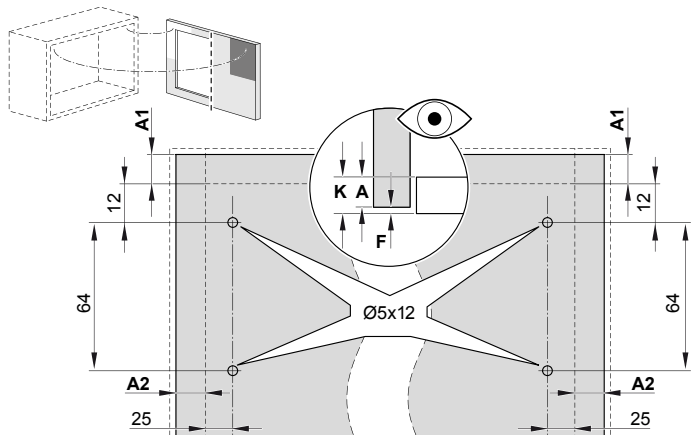
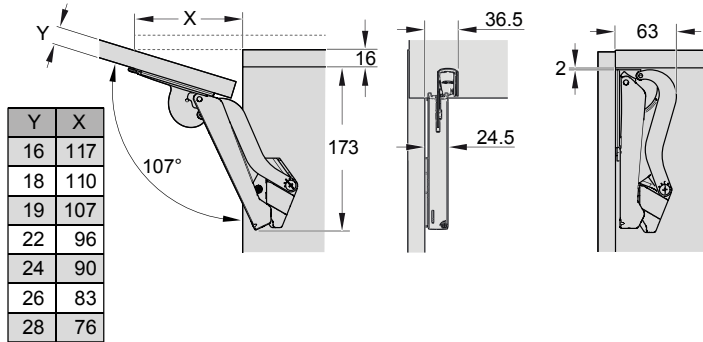
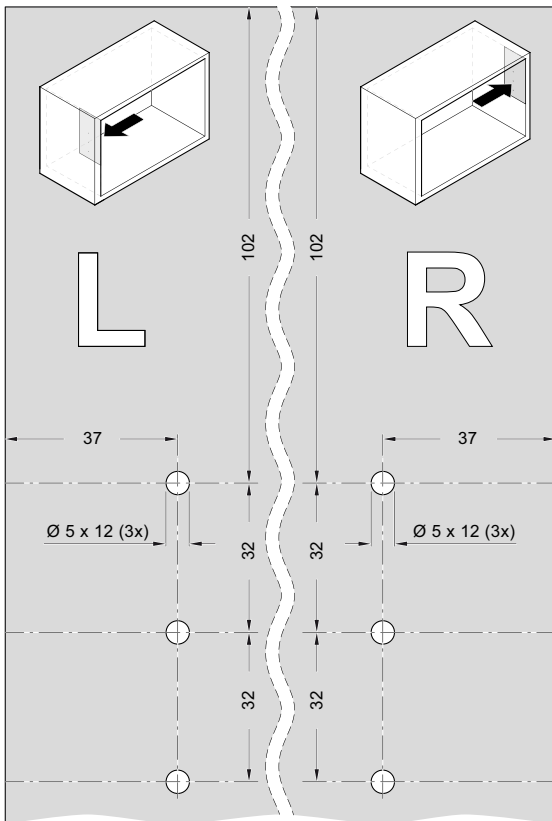
Ice white 9966

Grey 7035

Anthracite 7500

	Type B pto	Type C pto	Type D pto	Type E pto
Ice white	272243 9966	272244 9966	272245 9966	272246 9966
Grey	272243 7035	272244 7035	272245 7035	272246 7035
Anthracite	272243 7500	272244 7500	272245 7500	272246 7500
Front height mm	Front weight* kg	Front weight* kg	Front weight* kg	Front weight* kg
225	2,3 - 4,3	3,8 - 7,1	6,4 - 9,3	9,2 - 13,4
250	1,9 - 3,9	3,4 - 6,4	5,8 - 9,1	8,3 - 12,6
275	1,9 - 3,5	3,1 - 5,8	5,3 - 8,2	7,5 - 12,0
300	1,7 - 3,2	2,8 - 5,3	4,8 - 7,5	6,9 - 11,0
325	1,6 - 3,0	2,6 - 4,9	4,4 - 7,0	6,4 - 10,2
350	1,5 - 2,8	2,4 - 4,6	4,1 - 6,5	5,9 - 9,5
375	1,3 - 2,6	2,2 - 4,3	3,8 - 6,0	5,5 - 8,8
400	1,2 - 2,4	2,1 - 4,0	3,6 - 5,6	5,2 - 8,3
425	1,1 - 2,3	2,0 - 3,8	3,4 - 5,3	4,9 - 7,8
450	1,0 - 2,1	1,9 - 3,5	3,2 - 5,0	4,6 - 7,3
475	1,0 - 2,0	1,8 - 3,4	3,0 - 4,7	4,3 - 7,0
500	0,9 - 1,9	1,7 - 3,2	2,9 - 4,5	4,1 - 6,6
525	0,9 - 1,8	1,6 - 3,0	2,7 - 4,3	3,9 - 6,3
550	0,8 - 1,7	1,5 - 2,9	2,6 - 4,1	3,7 - 6,0
575	0,8 - 1,7	1,4 - 2,8	2,5 - 3,9	3,6 - 5,7
600	0,8 - 1,6	1,4 - 2,7	2,4 - 3,7	3,4 - 5,5
625	0,7 - 1,5	1,3 - 2,5	2,3 - 3,6	3,3 - 5,3
650	0,7 - 1,5	1,3 - 2,4	2,2 - 3,5	3,2 - 5,1

*Front weight incl. 2x handle weight

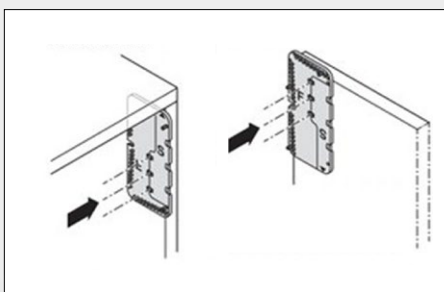
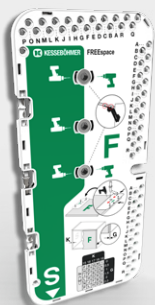


<http://support.kesseboehmer.de/freespace>



272254

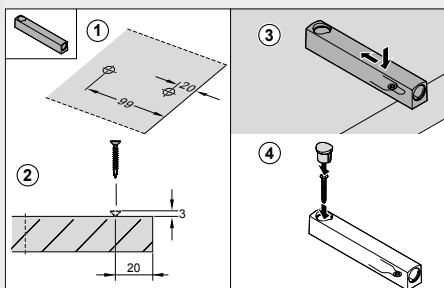
2-in-1 drilling template
for side and front panels



272075 9966
272075 7035
272075 7500

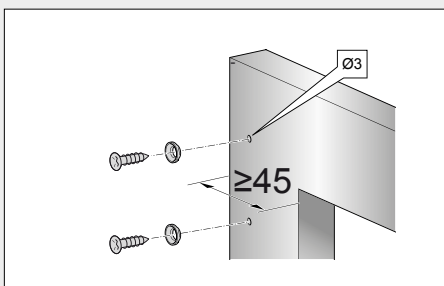
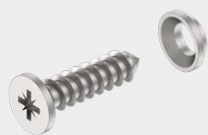
pto housing
for screw fixing
VPE 10

Colour code:
Ice white 9966
Grey 7035
Anthracite 7500



272251 0007

Front panel screws for aluminium frame
4 self-tapping screws
4 special washers





FREElight

SIMPLY GOOD

 KESSEBÖHMER



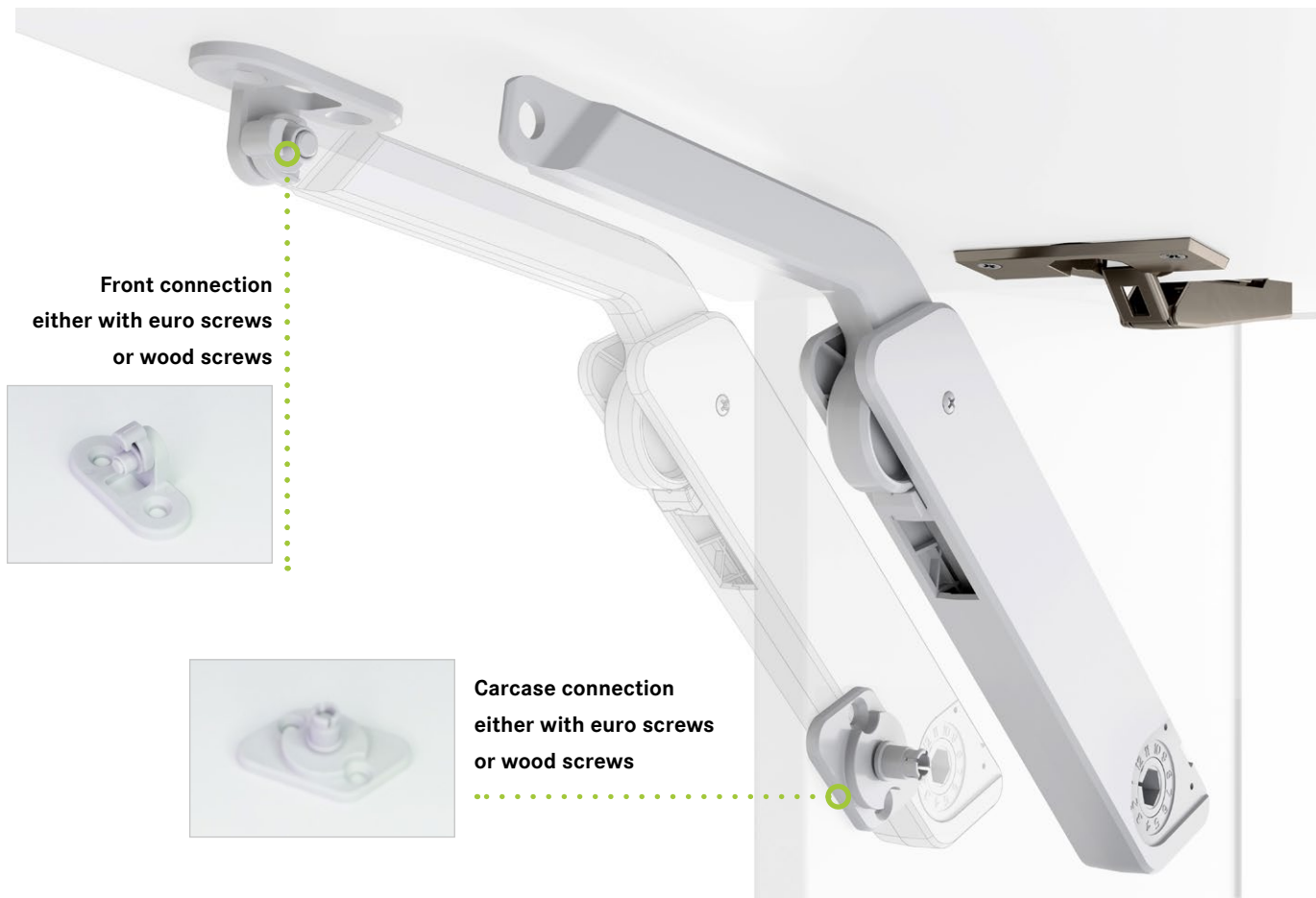
Technical Support

Short-URL:
<https://kbgo.to/supe>



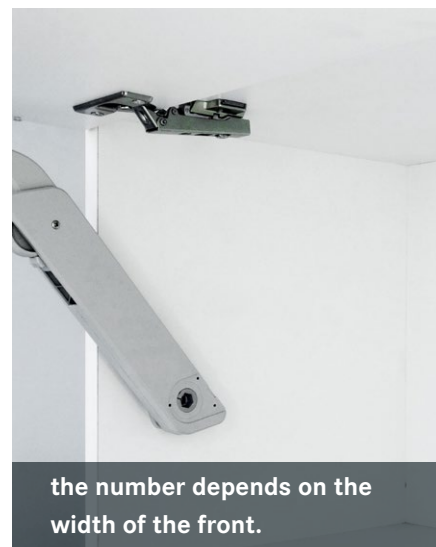
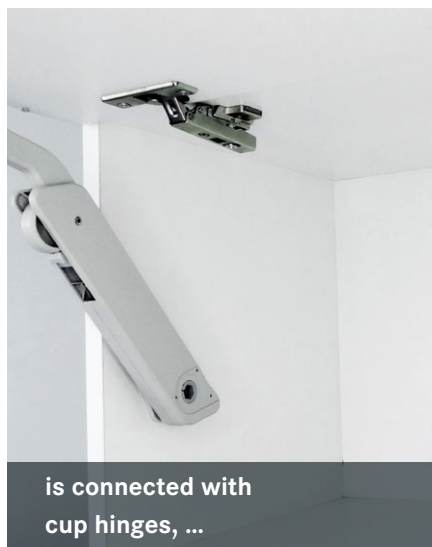
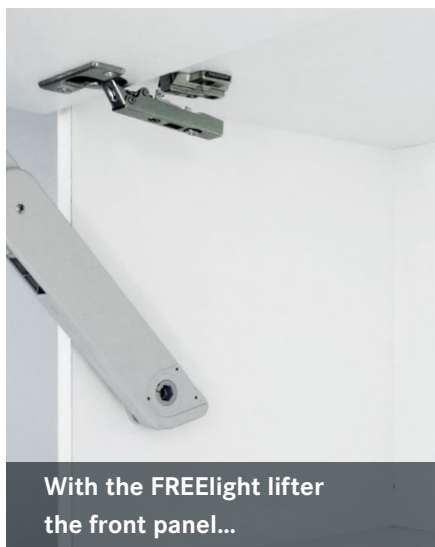
Product Information

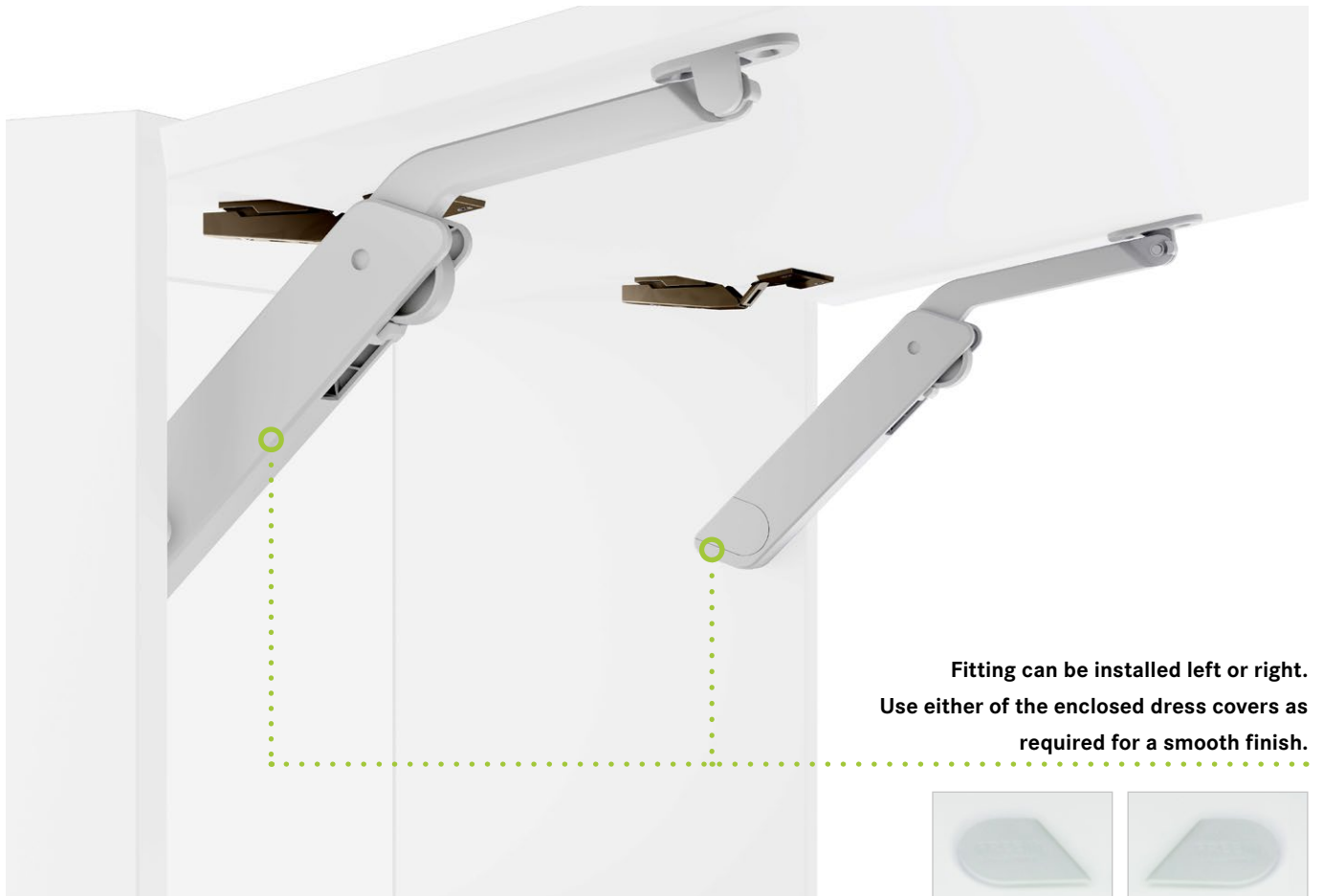
Short-URL:
<https://kbgo.to/frte>



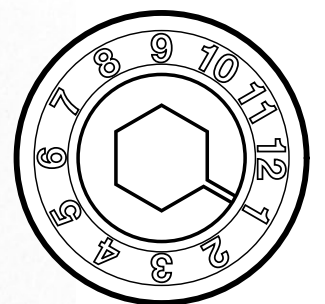
FREElight

MINIMAL ASSEMBLY EFFORT





Fitting can be installed left or right.
Use either of the enclosed dress covers as required for a smooth finish.



Set lift force in steps using an Allen key.



FOR FRONTS WITH HANDLES:

- The front is opened manually using the handle. The user-friendly MPS function ensures that the front can be stopped and will hold at any angle.
- Use in combination with cup hinges with or without automatic closing.
- Damped cup hinges are recommended for quiet, controlled closing.



Item no.

FREElight set

- 1x fitting
- 1x dress cover left
- 1x dress cover right
- 1x front connector (for wood and euro screws)
- 1x carcass connector (for wood and euro screws)
- 1x Allen key

272032 7035	Type A
272032 9966	Type B
272033 7035	Type C
272033 9966	Type D
272034 7035	Type A
272034 9966	Type B
272035 7035	Type C
272035 9966	Type D

Colour code:

Grey	7035
Ice white	9966

271851 0006

Adapter

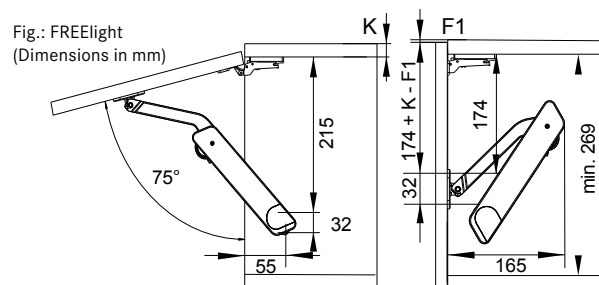
for 20 mm aluminium frame fronts
nickel-plated



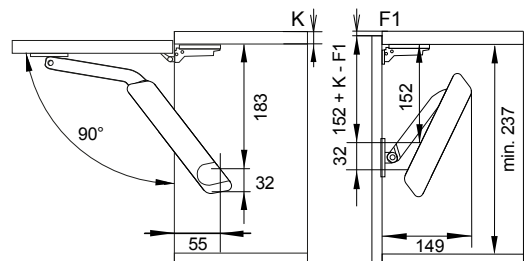
Front height mm	Front weight incl. handle at opening angle			Type	Grey Item no.	Ice white Item no.
	75°	90°	110°			
275	-	2,8 - 3,8	1,9 - 2,8	A	272032 7035	272032 9966
	-	3,5 - 6,0	2,6 - 4,3	B	272033 7035	272033 9966
	-	5,8 - 10,5	4,2 - 7,1	D	272035 7035	272035 9966
300	2,7 - 4,6	2,2 - 3,4	1,1 - 2,4	A	272032 7035	272032 9966
	4,1 - 8,1	3,3 - 5,7	2,4 - 4,1	B	272033 7035	272033 9966
	6,7 - 12,5	5,2 - 9,0	4,0 - 7,0	D	272035 7035	272035 9966
350	2,6 - 4,2	2,1 - 2,9	1,1 - 2,1	A	272032 7035	272032 9966
	3,8 - 6,5	2,7 - 4,9	2,1 - 3,7	B	272033 7035	272033 9966
	6,2 - 10,9	4,8 - 8,0	3,6 - 6,4	D	272035 7035	272035 9966
400	2,3 - 3,3	1,6 - 2,3	1,1 - 1,7	A	272032 7035	272032 9966
	3,0 - 5,8	2,3 - 4,6	1,7 - 3,2	B	272033 7035	272033 9966
	5,6 - 10,2	4,3 - 7,9	3,2 - 5,5	D	272035 7035	272035 9966
450	2,2 - 3,1	1,3 - 2,2	1,0 - 1,6	A	272032 7035	272032 9966
	2,7 - 4,6	2,0 - 3,8	1,6 - 2,8	B	272033 7035	272033 9966
	5,5 - 9,7	3,8 - 6,3	2,8 - 5,5	D	272035 7035	272035 9966
500	1,7 - 2,8	1,2 - 2,0	1,0 - 1,4	A	272032 7035	272032 9966
	2,3 - 4,6	1,7 - 3,4	1,3 - 2,5	B	272033 7035	272033 9966
	4,6 - 8,5	3,4 - 6,0	2,5 - 4,5	D	272035 7035	272035 9966
550	1,6 - 2,6	1,2 - 1,9	0,8 - 1,3	A	272032 7035	272032 9966
	2,2 - 4,2	1,7 - 3,0	1,3 - 2,2	B	272033 7035	272033 9966
	4,1 - 6,6	3,0 - 5,1	2,2 - 3,9	D	272035 7035	272035 9966
600	1,2 - 2,3	0,9 - 1,6	0,7 - 1,2	A	272032 7035	272032 9966
	2,1 - 3,9	1,6 - 3,0	1,2 - 2,2	B	272033 7035	272033 9966
	3,9 - 6,0	3,0 - 4,7	2,2 - 4,3	D	272035 7035	272035 9966

Front weights per 1x fitting; for front widths > 600 mm 2x fitting

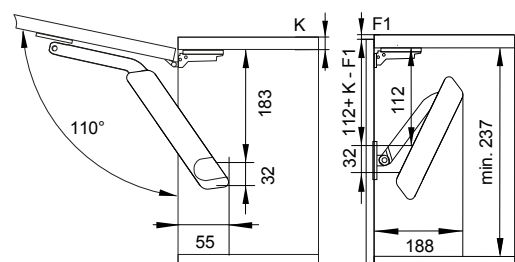
Assembly dimensions for opening angle 75°:



Assembly dimensions for opening angle 90°:



Assembly dimensions for opening angle 110°:



F1 ≥ 2 mm



PUSH-TO-OPEN APPLICATIONS:

- Pressing on the front causes the front to open almost to the end position, allowing easy access to the inside of the wall unit.
- Use in combination with Push cup hinges (e.g. Häfele Duomatic).
- Fronts are held shut by magnetic catches, which are pressed into predrilled holes or screwed on, with a counterplate on the front panel.



Item no.

FREElight set

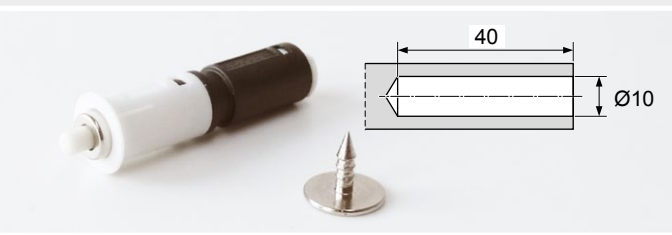
- 1x fitting
- 1x dress cover left
- 1x dress cover right
- 1x front connector (for wood and euro screws)
- 1x carcass connector (for wood and euro screws)
- 1x Allen key

272032 7035	Type A
272032 9966	
272033 7035	Type B
272033 9966	
272034 7035	Type C
272034 9966	
272035 7035	Type D
272035 9966	

Colour code:
 Grey 7035
 Ice white 9966



271851 0006 Adapter
 for 20 mm aluminium frame fronts
 nickel-plated



272038 0000 Push magnetic with counterplate
272039 0000 Additional magnet with counterplate

Required in specified cases:

Colour code:
 Other 0000



272040 0000 Adapter plate
 Ejector housing
 (Screw-on using positioning aid)

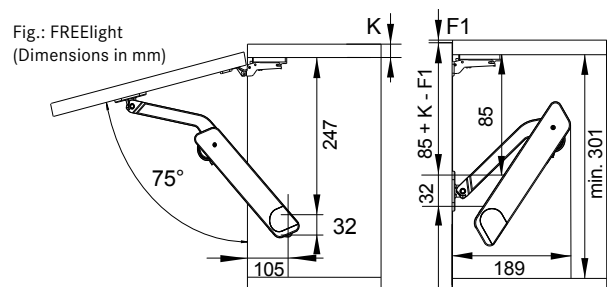
Colour code:
 Other 0000

Front height mm	Front weight incl. handle at opening angle			Type	Grey Item no.	Ice white Item no.
	75°	90°	110°			
300	-	-	1,5 - 2,1	B	272033 7035	272033 9966
	-	-	2,1 - 3,0	C	272034 7035	272034 9966
	-	-	2,7 - 4,1	D	272035 7035	272035 9966
350	2,6 - 3,6	1,7 - 2,5	1,5 - 2,1	B	272033 7035	272033 9966
	3,1 - 5,3*	2,1 - 3,2	1,9 - 2,7	C	272034 7035	272034 9966
	4,7 - 6,6*	3,0 - 4,0	2,6 - 3,7	D	272035 7035	272035 9966
400	2,3 - 3,1	1,3 - 1,9	1,1 - 1,5	B	272033 7035	272033 9966
	3,1 - 5,1	1,9 - 3,0	1,5 - 2,5	C	272034 7035	272034 9966
	4,3 - 6,6	2,8 - 4,0	2,2 - 3,5	D	272035 7035	272035 9966
450	1,8 - 2,6	1,1 - 1,5	1,0 - 1,3	B	272033 7035	272033 9966
	2,6 - 4,0*	1,5 - 2,6	1,3 - 2,3	C	272034 7035	272034 9966
	3,6 - 5,6*	2,2 - 3,2	2,0 - 2,9	D	272035 7035	272035 9966
500	1,6 - 2,3	-	-	B	272033 7035	272033 9966
	2,3 - 3,6	1,4 - 2,4	1,2 - 1,7	C	272034 7035	272034 9966
	3,3 - 4,9	2,0 - 2,9	1,6 - 2,7	D	272035 7035	272035 9966
550	1,5 - 2,1	-	-	B	272033 7035	272033 9966
	2,1 - 3,6	1,3 - 2,2	1,2 - 1,7	C	272034 7035	272034 9966
	3,1 - 4,6	1,8 - 2,8	1,5 - 2,3	D	272035 7035	272035 9966
600	1,4 - 2,0	-	-	B	272033 7035	272033 9966
	2,0 - 3,2	1,3 - 1,7	1,2 - 1,5	C	272034 7035	272034 9966
	2,7 - 4,2	1,5 - 2,5	1,3 - 2,1	D	272035 7035	272035 9966

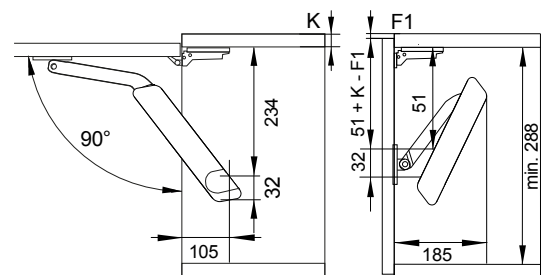
Front weights per 1x fitting; for front widths > 600 mm 2x fitting

*Extra magnet (272039 0000) required

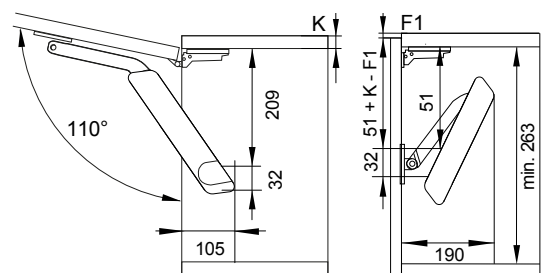
Assembly dimensions for opening angle 75°:



Assembly dimensions for opening angle 90°:



Assembly dimensions for opening angle 110°:



F1 ≥ 2 mm



TOUCH OPENING APPLICATIONS:

- Press on the front and an easy gap opens, wide enough for the user to complete opening manually and effortlessly as usual. The user-friendly MPS function means the front can be stopped and will hold in any position.
- Use in combination with Push cup hinges (e.g. Häfele Duomatic).
- Fronts are held shut by magnetic catches, which are pressed into predrilled holes or screwed on, with a counterplate on the front panel.



Item no.

FREElight set

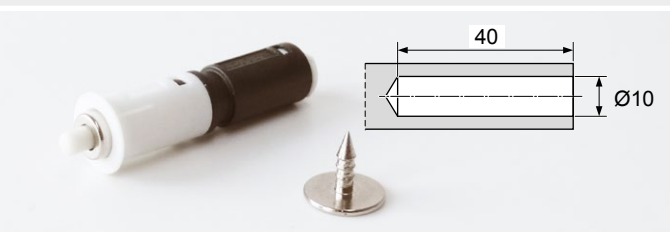
- 1x fitting
- 1x dress cover left
- 1x dress cover right
- 1x front connector (for wood and euro screws)
- 1x carcass connector (for wood and euro screws)
- 1x Allen key

- 272032 7035** Type A
- 272032 9966**
- 272033 7035** Type B
- 272033 9966**
- 272034 7035** Type C
- 272034 9966**
- 272035 7035** Type D
- 272035 9966**

Colour code:
 Grey 7035
 Ice white 9966



- 271851 0006** **Adapter**
for 20 mm aluminium frame fronts
nickel-plated



- 272038 0000** **Push magnetic with counterplate**
- Required in specified cases:
- 272039 0000** **Additional magnet with counterplate**
- Colour code:
Other 0000



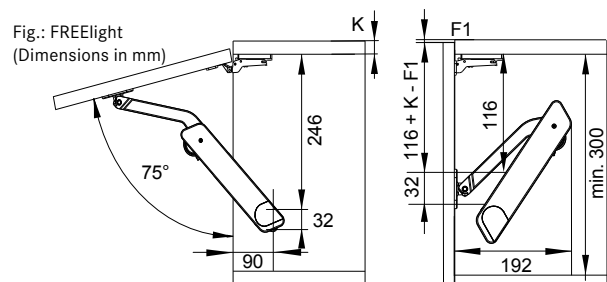
- 272040 0000** **Adapter plate**
Ejector housing
(Screw-on using positioning aid)
- Colour code:
Other 0000

Front height mm	Front weight incl. handle at opening angle			Type	Grey Item no.	Ice white Item no.
	75°	90°	110°			
300	-	2,4 - 4,3	2,0 - 3,6	B	272033 7035	272033 9966
	-	3,6 - 5,7	2,8 - 5,3	C	272034 7035	272034 9966
	-	4,7 - 7,3	-	D	272035 7035	272035 9966
350	4,6 - 5,3	2,4 - 4,2	2,0 - 3,4	B	272033 7035	272033 9966
	-	3,4 - 5,2*	2,7 - 4,6	C	272034 7035	272034 9966
	-	4,7 - 6,9*	3,6 - 5,6	D	272035 7035	272035 9966
400	3,2 - 4,8	1,5 - 3,2	1,8 - 2,9	B	272033 7035	272033 9966
	4,3 - 7,0*	3,1 - 4,9*	2,6 - 3,9	C	272034 7035	272034 9966
	5,5 - 8,0*	3,9 - 5,6*	3,5 - 5,0	D	272035 7035	272035 9966
450	2,5 - 4,0	1,5 - 2,6	1,4 - 2,2	B	272033 7035	272033 9966
	4,0 - 6,3*	2,6 - 4,2*	2,2 - 3,7	C	272034 7035	272034 9966
	5,0 - 7,6*	3,6 - 5,4*	2,9 - 4,4	D	272035 7035	272035 9966
500	2,2 - 3,5	1,4 - 2,4	1,3 - 2,2	B	272033 7035	272033 9966
	3,5 - 5,4*	2,4 - 3,6	2,0 - 3,4	C	272034 7035	272034 9966
	4,7 - 7,3*	3,4 - 5,0	2,6 - 3,7	D	272035 7035	272035 9966
550	2,0 - 3,3	1,3 - 2,1	1,0 - 1,8	B	272033 7035	272033 9966
	2,6 - 5,1	1,9 - 3,2	1,6 - 3,2	C	272034 7035	272034 9966
	4,0 - 6,9	2,6 - 4,6	2,3 - 3,9	D	272035 7035	272035 9966
600	-	1,3 - 1,9	-	B	272033 7035	272033 9966
	2,6 - 4,7	1,8 - 3,1	1,5 - 2,7	C	272034 7035	272034 9966
	3,6 - 6,3	-	2,2 - 3,4	D	272035 7035	272035 9966

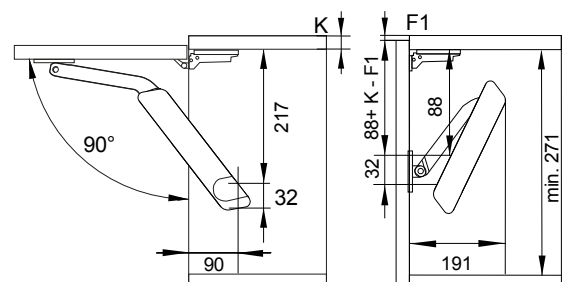
Front weights per 1x fitting; for front widths > 600 mm 2x fitting

*Extra magnet (272039 0000) required

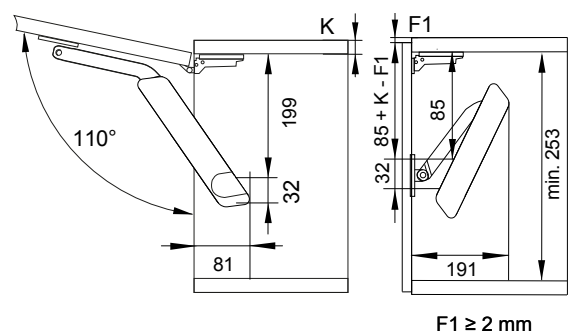
Assembly dimensions for opening angle 75°:

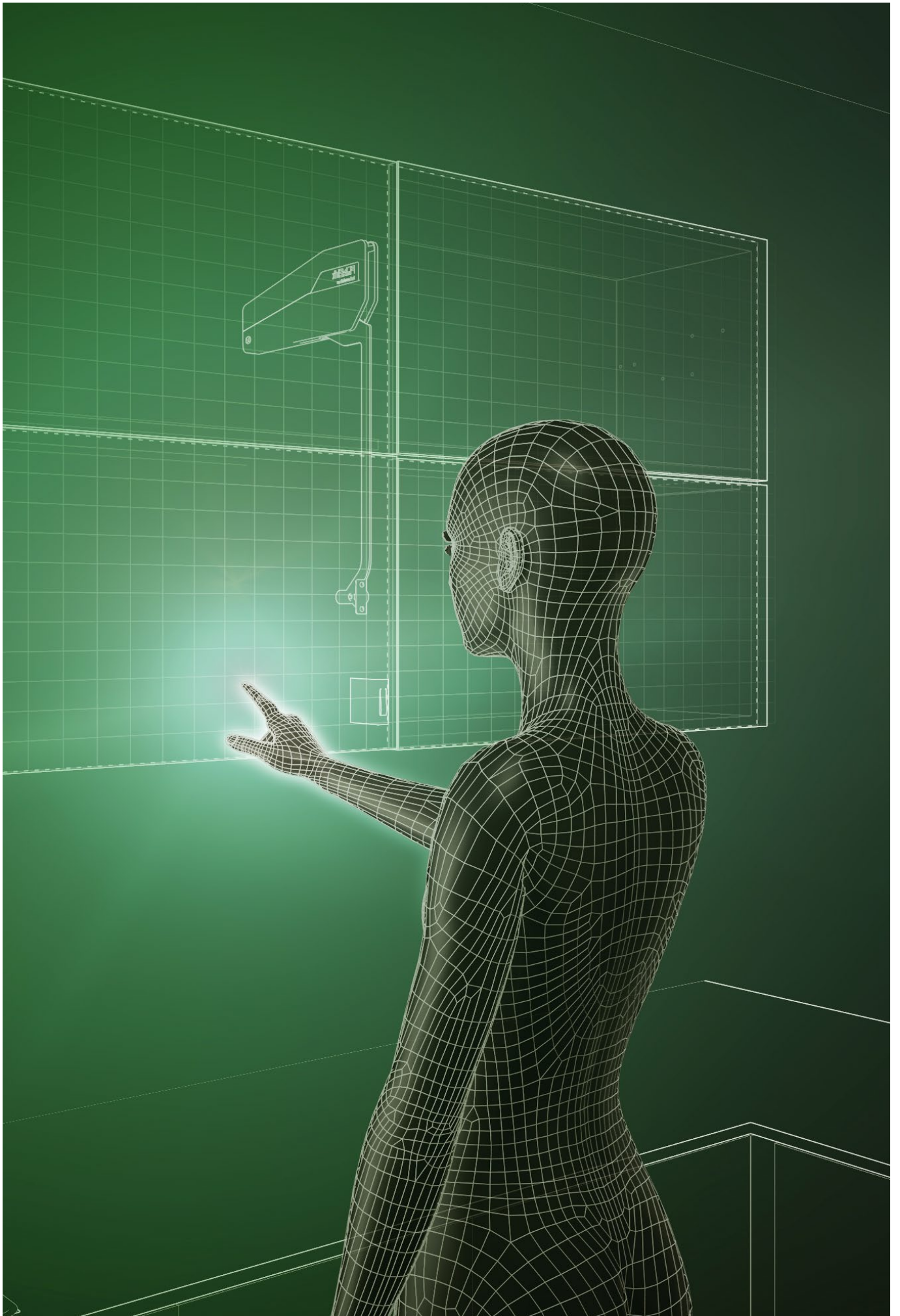


Assembly dimensions for opening angle 90°:



Assembly dimensions for opening angle 110°:







eTouch for FREElift

SIMPLY PRESS

 KESSEBÖHMER



Technical Support

Short-URL:
<https://kbgo.to/supe>



Product Information

Short-URL:
<https://kbgo.to/fete>

FREElift eTouch

COMFORT IS TOP PRIORITY

 KESSEBÖHMER



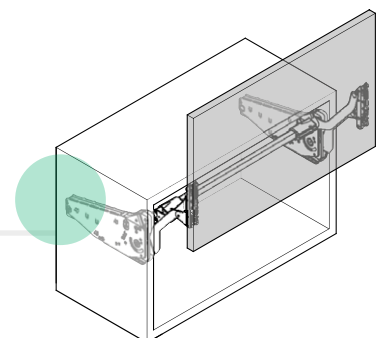
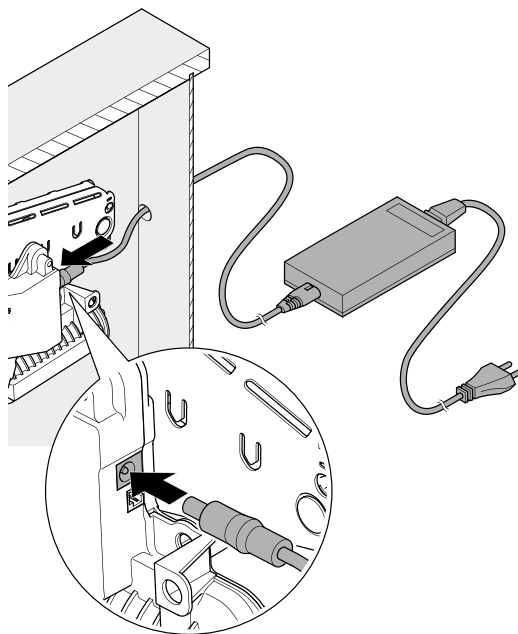
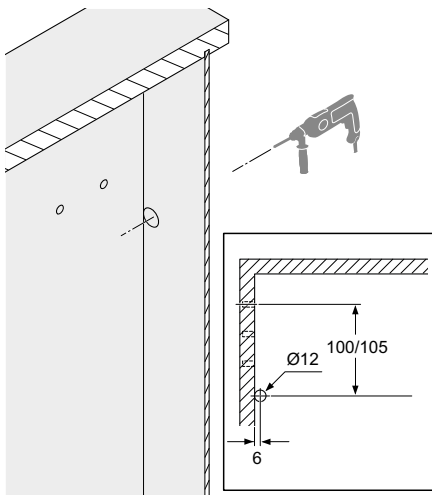
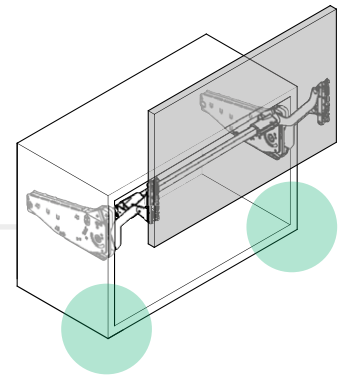
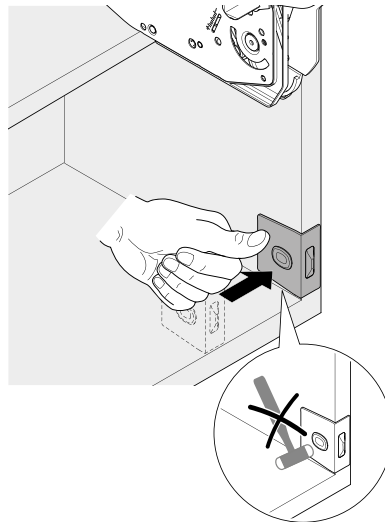
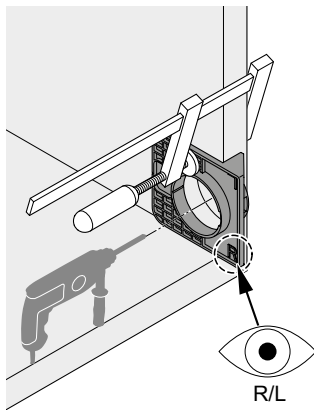
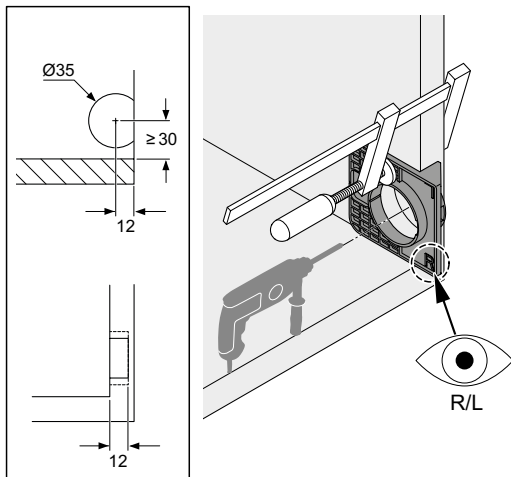
THE ENTIRE FREElift FAMILY HAS BEEN UPGRADED TO ETOUCH ELECTRONIC OPENING. IT'S ONE UP FOR USER CONVENIENCE. THE STRIKING HALLMARKS OF ALL KESSEBÖHMER LIFTERS ARE EASY ACTION, LIGHT WEIGHT AND A COMPACT DESIGN. As of now, eTouch electronic opening and closing assistance immediately makes life far easier for users. Gently pressing the front panel triggers the fluid movement sequence. Even very heavy front panels are lifted – automatically and elegantly – without any further effort by the user. And they are closed again – just as smoothly and effortlessly – by touching the inside sensor.

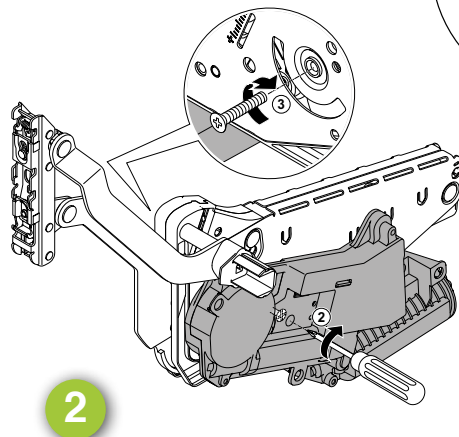
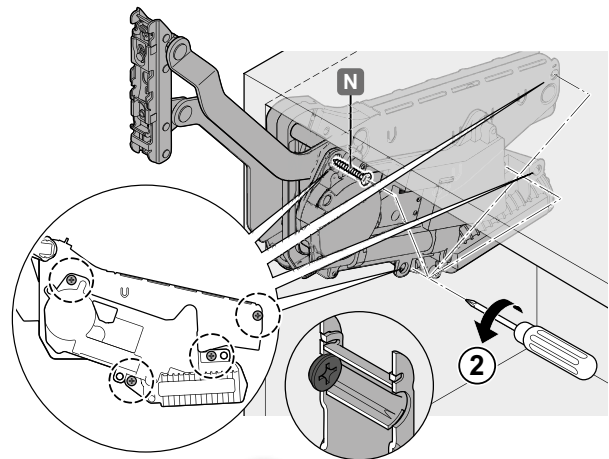
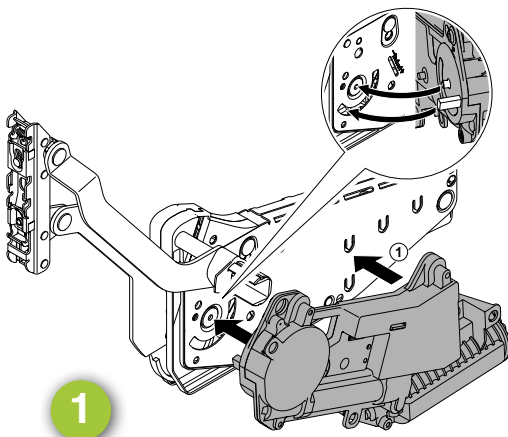
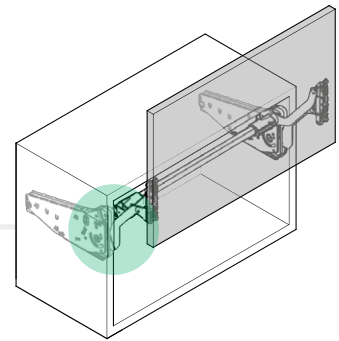
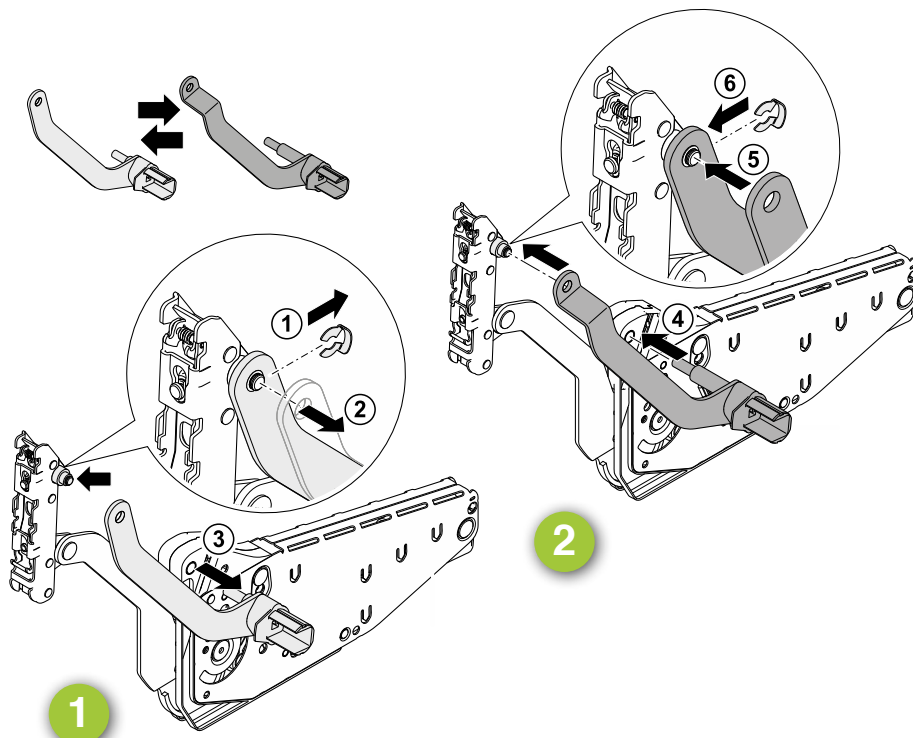
The electric motor replaces the effort usually exerted by the user, but imposes no limitations on manual opening and closing. For example, if there is a power outage, the wall unit can be opened and closed by hand. The new eTouch for wall units is the latest expansion of Kesseböhmer's proven electronic opening system.



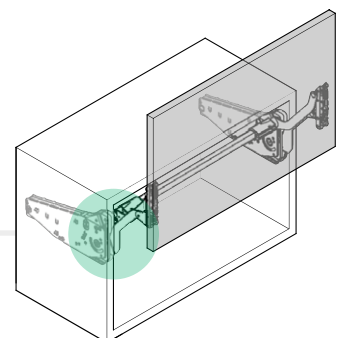
FREElift
by Kesseböhmer

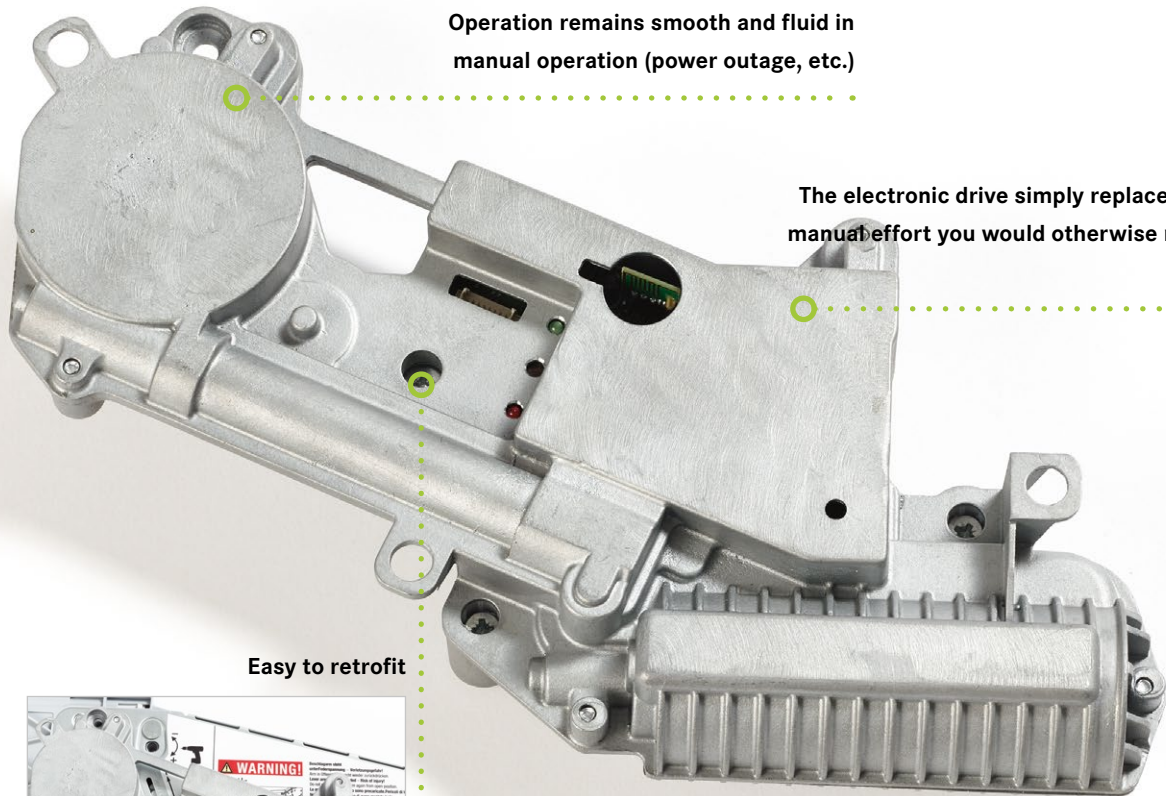
Fig.: Dimensions in mm





3

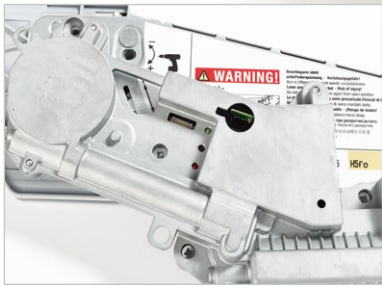




Operation remains smooth and fluid in manual operation (power outage, etc.)

The electronic drive simply replaces the manual effort you would otherwise make

Easy to retrofit



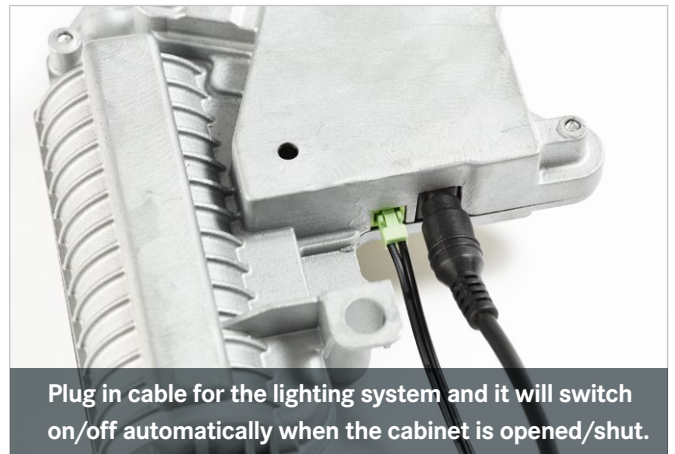
WE THINK OF EVERYTHING

INTEGRATED LIGHT CONTROL

 KESSEBÖHMER



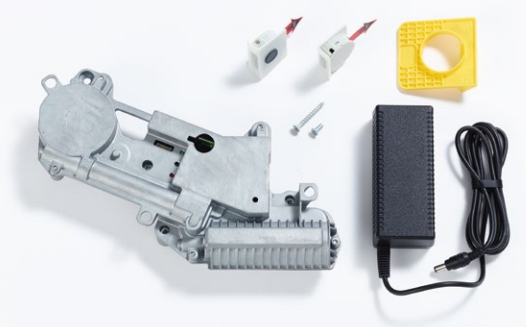
Connection point for 24 V lighting system.



Plug in cable for the lighting system and it will switch on/off automatically when the cabinet is opened/shut.

Item no.

Set eTouch drive unit **271962 7035**
FREEfold/FREEswing/FREEslide Grey
 1x drive unit (with 2 premounted screws (wood) 4x 10 mm)
 1x M4x 8 mm
 1x wood screw 4x 35mm
 1x power cable
 2x radio sensor
 1x drilling template KS for sensors
 1x strain relief clip
 1x ferrite



Set eTouch swing arm Lever length type::
FREEslide (replacement lever arm LEFT) O **271964 0006**
 nickel-plated P **271965 0006**
 Q **271966 0006**
 R **271967 0006**



Set eTouch swing arm **271968 0006**
FREEswing (replacement lever arm LEFT)
 nickel-plated

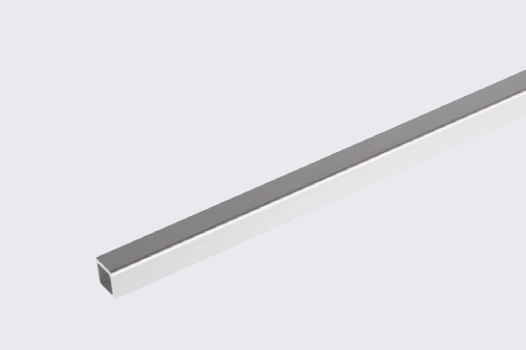


Power cable eTouch Country variants::
FREEfold/FREEswing/FREEslide/FREEflap EU **271973 9005**
 Black US/JPN **271974 9005**
 AUS **271975 9005**
 UK **271976 9005**



Connecting rod anodised aluminium

Carcase width	Carcase wall	Length	Item no.	Carcase width	Carcase wall	Length	Item no.
mm	mm	mm		mm	mm	mm	
450	16/19	299	271977 0038	900	16/19	749	271981 0038
500	16/19	349	271978 0038	1.000	16/19	849	271982 0038
600	16/19	449	271979 0038	1.200	16/19	1.049	271983 0038
800	16/19	649	271980 0038	KB	16/19	KB-(2 x K)-88 -25	



Set of eTouch dress covers

	FREEfold	FREEfold short
Grey	271969 7035	272041 7035
Ice white	271969 9966	272041 9966



Set of eTouch dress covers

	FREEswing
Grey	271971 7035
Ice white	271971 9966



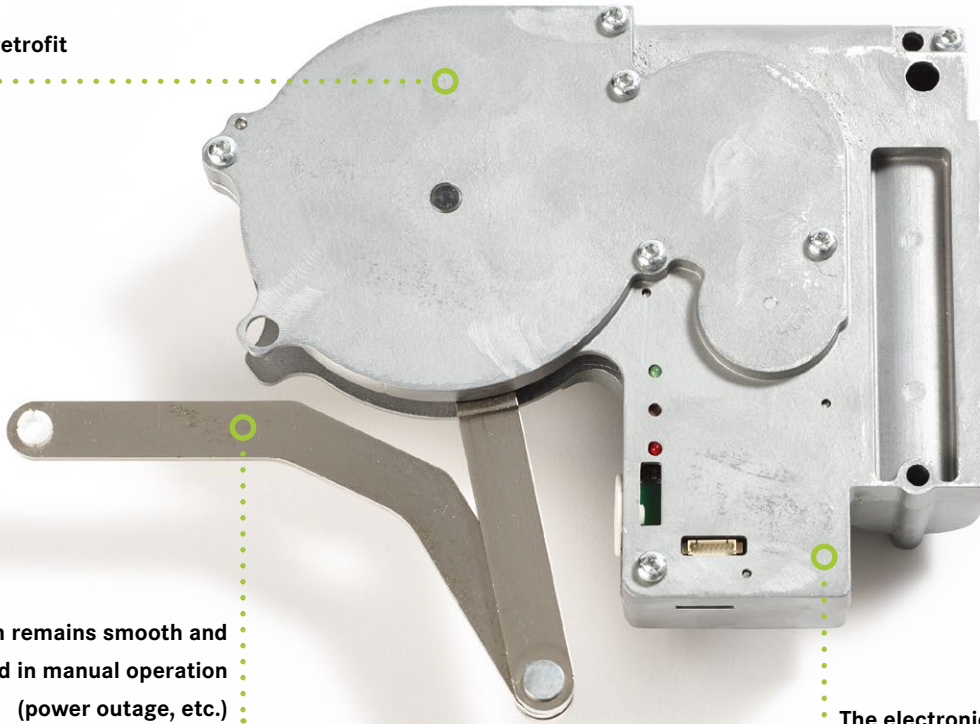
Set of eTouch dress covers

	FREEslide
Grey	271970 7035
Ice white	271970 9966





Easy to retrofit



Operation remains smooth and fluid in manual operation (power outage, etc.)

The electronic drive simply replaces the manual effort you would otherwise make

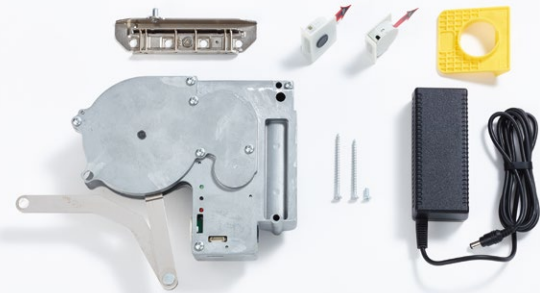
Set eTouch drive unit

FREEflap Grey

- 1x drive unit
- 1x eTouch front connector (as replacement)
- 1x M4x 8 mm
- 1x wood screw 4x 50 mm
- 1x wood screw 4x 60 mm
- 1x power cable
- 2x radio sensors
- 1x drilling template KS for sensors
- 1x strain relief clip
- 1x ferrite

Item no.

271963 7035



Set of eTouch dress covers

FREEflap

Grey

Ice white

271972 7035

271972 9966



Power cable eTouch

FREEfold/FREEswing/FREEslide/FREEflap

Black

Country variants::

EU

US/JPN

AUS

UK

271973 9005

271974 9005

271975 9005

271976 9005







CLIMBER

MULTI-FACETTED AND GLAMOROUS

— KESSEBÖHMER —



Item no. Dimensions (mm)

CLIMBER wall unit carcass
 Ready assembled (without glass slats)
 incl. motor and glass shelves

Cabinet depth: 373 mm

Colour code:
 White 0354
 Stainless steel finish 0355
 Black 0360

Item no.	Cabinet height (mm)	Glas shelves	
001600	650	1	for cabinet width: 600 mm
234104	720	2	
001601	780	2	for cabinet width: 800 mm
001602	910	2	
001614	650	1	for cabinet width: 800 mm
234981	720	2	
001615	780	2	for cabinet width: 900 mm
001616	910	2	
001608	650	1	for cabinet width: 900 mm
233916	720	2	
001609	780	2	for cabinet width: 1.000 mm
001610	910	2	
001618	650	1	for cabinet width: 1.000 mm
234105	720	2	
001619	780	2	for cabinet width: 1.000 mm
001620	910	2	



Item no.	Height (mm)	
001603 0133	650	for cabinet width: 600 mm
234665 0133	720	
011603 0133	780	for cabinet width: 800 mm
021603 0133	910	
001617 0133	650	for cabinet width: 800 mm
234982 0133	720	
011617 0133	780	for cabinet width: 900 mm
021617 0133	910	
001611 0133	650	for cabinet width: 900 mm
233917 0133	720	
011611 0133	780	for cabinet width: 1.000 mm
021611 0133	910	
001621 0133	650	for cabinet width: 1.000 mm
234983 0133	720	
011621 0133	780	for cabinet width: 1.000 mm
021621 0133	910	

CLIMBER glass slats, Satinato for wall unit
 for cabinet width: 600 mm

for cabinet width: 800 mm

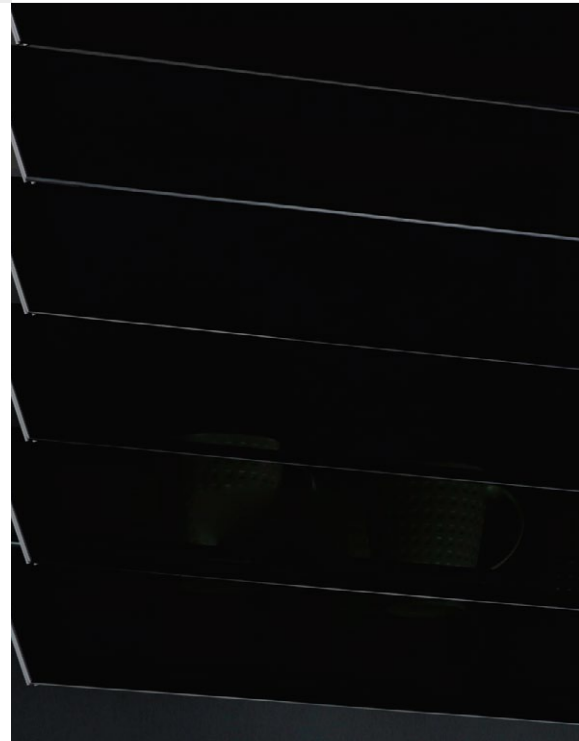
for cabinet width: 900 mm

for cabinet width: 1.000 mm

	Dimensions (mm)	Item no.
CLIMBER glass slats, Black for wall unit for cabinet width: 600 mm	Height	
	650	001603 0126
	720	234665 0126
	780	011603 0126
for cabinet width: 800 mm	650	001617 0126
	720	234982 0126
	780	011617 0126
	910	021617 0126
for cabinet width: 900 mm	650	001611 0126
	720	233917 0126
	780	011611 0126
	910	021611 0126
for cabinet width: 1.000 mm	650	001621 0126
	720	234983 0126
	780	011621 0126
	910	021621 0126

CLIMBER glass slats, White for wall unit for cabinet width: 600 mm	Height	
	650	001603 0130
	720	234465 0130
	780	011603 0130
for cabinet width: 800 mm	650	001617 0130
	720	234982 0130
	780	011617 0130
	910	021617 0130
for cabinet width: 900 mm	650	001611 0130
	720	233917 0130
	780	011611 0130
	910	021611 0130
for cabinet width: 1.000 mm	650	001621 0130
	720	234983 0130
	780	011621 0130
	910	021621 0130

CLIMBER glass slats, Translucent black for wall unit for cabinet width: 600 mm	Height	
	650	001603 0132
	720	234665 0132
	780	011603 0132
for cabinet width: 800 mm	650	001617 0132
	720	234982 0132
	780	011617 0132
	910	021617 0132
for cabinet width: 900 mm	650	001611 0132
	720	233917 0132
	780	011611 0132
	910	021611 0132
for cabinet width: 1.000 mm	650	001621 0132
	720	234983 0132
	780	011621 0132
	910	021621 0132





Item no. Dimensions (mm)

CLIMBER top-mounted cabinet carcass
with three sockets
Ready assembled (without glass slats)
incl. motor and glass shelves

Cabinet depth: 373 mm

Colour code:

White	0354
Stainless steel finish	0355
Black	0360

	Cabinet height	Glas shelves	
001627	1.130	3	for cabinet width: 600 mm
001628	1.260	3	
001629	1.390	3	
001630	1.130	3	for cabinet width: 800 mm
001631	1.260	3	
001632	1.390	3	
001633	1.130	3	for cabinet width: 900 mm
001634	1.260	3	
001635	1.390	3	
001636	1.130	3	for cabinet width: 1.000 mm
001637	1.260	3	
001638	1.390	3	

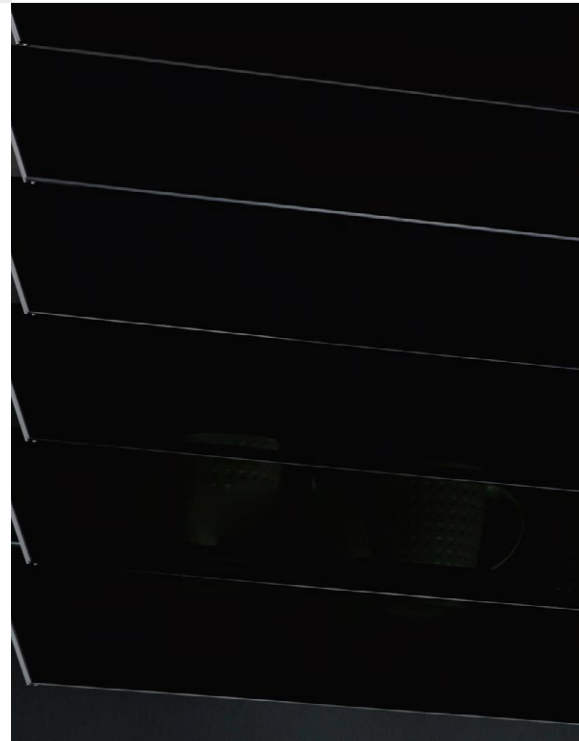


	Height	CLIMBER glass slats, Satinato for top-mounted cabinets
001639 0133	1.130	for cabinet width: 600 mm
011639 0133	1.260	
021639 0133	1.390	
001640 0133	1.130	for cabinet width: 800 mm
011640 0133	1.260	
021640 0133	1.390	
001641 0133	1.130	for cabinet width: 900 mm
011641 0133	1.260	
021641 0133	1.390	
001642 0133	1.130	for cabinet width: 1.000 mm
011642 0133	1.260	
021642 0133	1.390	

	Dimensions (mm)	Item no.
CLIMBER glass slats, Black for top-mounted cabinets for cabinet width: 600 mm	Height	
	1.130	001639 0126
	1.260	011639 0126
	1.390	021639 0126
for cabinet width: 800 mm	1.130	001640 0126
	1.260	011640 0126
	1.390	021640 0126
for cabinet width: 900 mm	1.130	001641 0126
	1.260	011641 0126
	1.390	021641 0126
for cabinet width: 1.000 mm	1.130	001642 0126
	1.260	011642 0126
	1.390	021642 0126

CLIMBER glass slats, White for top-mounted cabinets for cabinet width: 600 mm	Height	
	1.130	001639 0130
	1.260	011639 0130
	1.390	021639 0130
for cabinet width: 800 mm	1.130	001640 0130
	1.260	011640 0130
	1.390	021640 0130
for cabinet width: 900 mm	1.130	001641 0130
	1.260	011641 0130
	1.390	021641 0130
for cabinet width: 1.000 mm	1.130	001642 0130
	1.260	011642 0130
	1.390	021642 0130

CLIMBER glass slats, Translucent black for top-mounted cabinets for cabinet width: 600 mm	Height	
	1.130	001639 0132
	1.260	011639 0132
	1.390	021639 0132
for cabinet width: 800 mm	1.130	001640 0132
	1.260	011640 0132
	1.390	021640 0132
for cabinet width: 900 mm	1.130	001641 0132
	1.260	011641 0132
	1.390	021641 0132
for cabinet width: 1.000 mm	1.130	001642 0132
	1.260	011642 0132
	1.390	021642 0132



Item no.

Mains plug adapter

001612 9005

GB/UK

Colour code:
Black 9005



001613 9005

AU

Colour code:
Black 9005





iMove

INTELLIGENT PULL-DOWN SYSTEM FOR WALL UNITS

 KESSEBÖHMER



Technical Support

Short-URL:
<https://kbgo.to/supe>



Product Information

Short-URL:
<https://kbgo.to/imoe>



iMove

INTELLIGENT MOVEMENT

— KESSEBÖHMER —

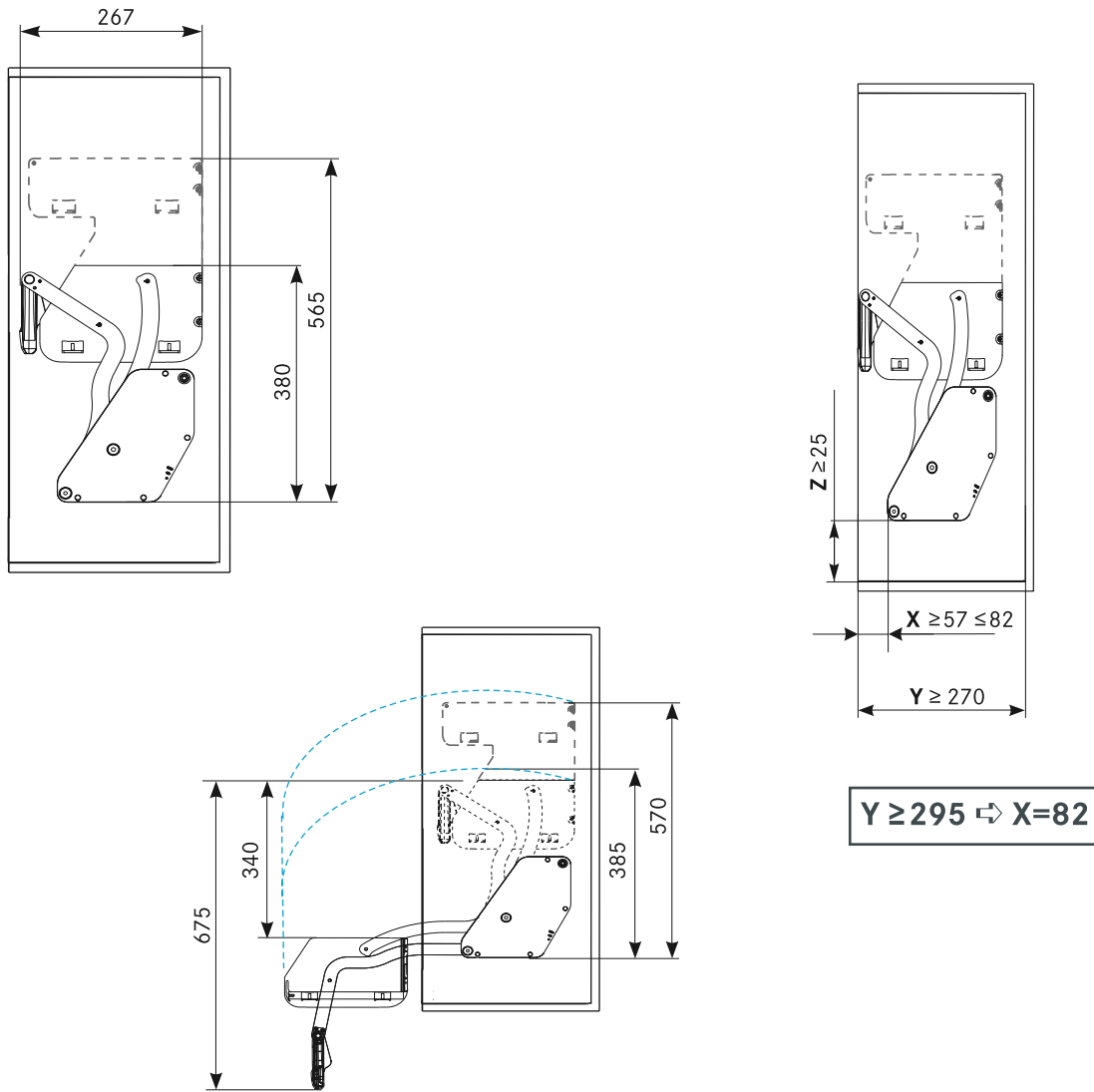
iMove SETS NEW STANDARDS FOR WALL UNITS. THE PRODUCT COMBINES BEAUTY AND PRACTICALITY IN EFFORTLESS MOVEMENT. IT'S TRULY CLEVER!

There's easy operation, more reachable storage, a clearer view, fast access. The innovative iMove pull-down transforms a conventional wall unit into an ergonomic storage system with big user benefits. The iMove and its contents are pulled downwards and outwards in one easy movement. And the iMove combines practical benefits with a brilliantly stylish design.

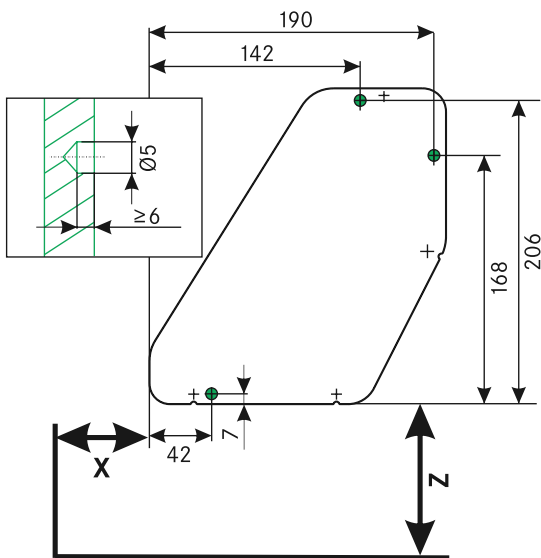




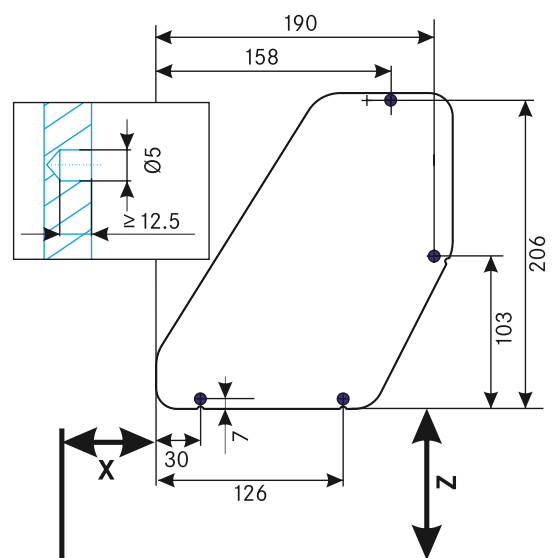
Fig.: Dimensions in mm



Drilling pattern for positioning tabs



Drilling pattern for euro screws



iMove Single Tray

POTENTIAL APPLICATIONS



Dimensions (mm)	Hinged door	Hinged door	FREEfold
Hinge protrusion	< 25	> 25	-
Installation height hinge	65	65	-
Installation depth iMove	57	57	82
Installation height iMove	25	80	25
Clear inside carcass depth	270	270	295
Minimum carcass height*	470	580	650

* * Carcass heights vary with the specific installation situation

iMove set single tray

incl. dress covers and fixing materials:

8 x wood screws 4.5 x 50 mm

1 x drilling template

Carcass width (mm) Clear inside width (mm)
500 462-468

600 562-568

800 762-768

900 862-868

Colour code:

Silver 0102

Ice white 9966

Anthracite 9846



021700 0102

021700 9966

021700 9846

021702 0102

021702 9966

021702 9846

021704 0102

021704 9966

021704 9846

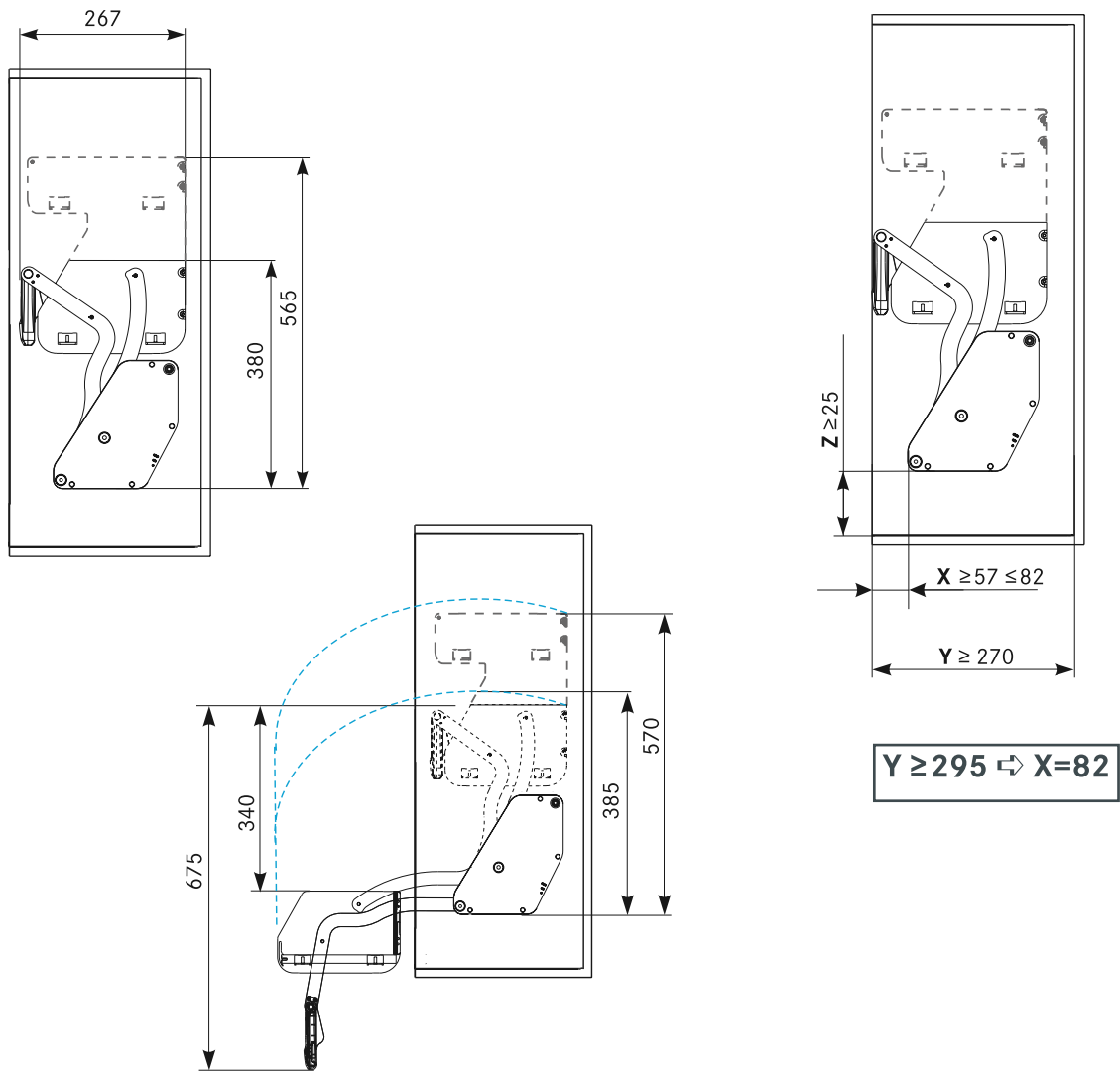
021706 0102

021706 9966

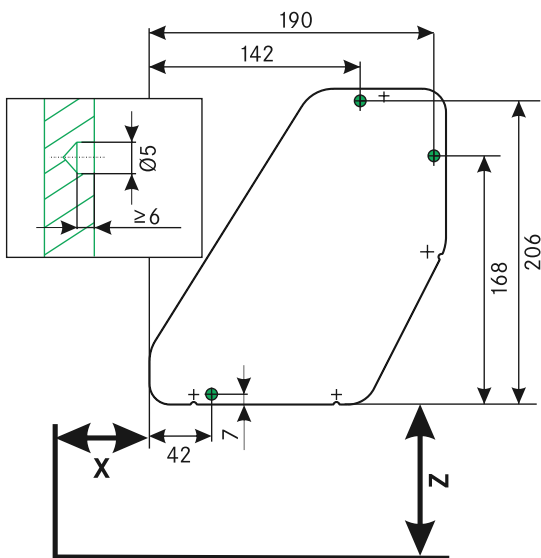
021706 9846



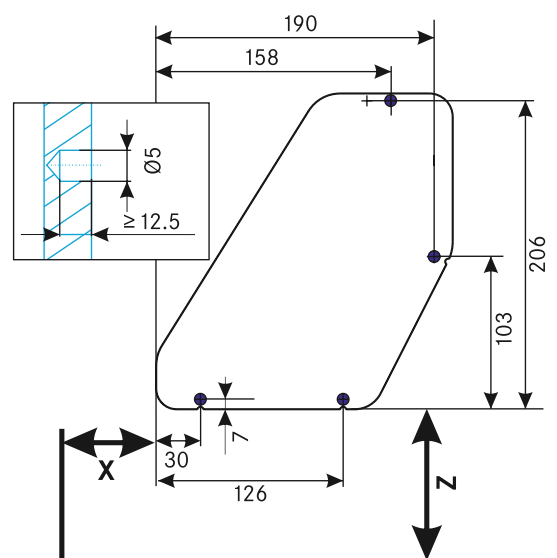
Fig.: Dimensions in mm



Drilling pattern for positioning tabs



Drilling pattern for euro screws



iMove Double Tray

POTENTIAL APPLICATIONS



Dimensions (mm)	Hinged door	Hinged door	FREEfold
Hinge protrusion	< 25	> 25	-
Installation height hinge	65	65	-
Installation depth iMove	57	57	82
Installation height iMove	25	80	25
Clear inside carcass depth	270	270	295
Minimum carcass height*	710	770	710

* * Carcass heights vary with the specific installation situation

iMove set double tray

incl. dress covers and fixing materials:
 8 x wood screws 4.5 x 50 mm
 1 x drilling template

Carcass width (mm) Clear inside width (mm)
 500 462-468

600 562-568

Colour code:
 Silver 0102
 Ice white 9966
 Anthracite 9846



021710 0102
021710 9966
021710 9846

021712 0102
021712 9966
021712 9846





TABLES AND WORKTOP EXTENSIONS

CONTENTS

 KESSEBÖHMER

ergoAGENT mono

Sit-stand table,
steplessly height adjustable



ergoAGENT twin

Twin post table,
steplessly height adjustable

TopFlex

Worktop extension
Pull-out lengths: 610 and 810 mm



Technical Support

Short-URL:
<https://kbgo.to/supe>



Product Information

Short-URL:
<https://kbgo.to/05e>

18.10.2021





ergoAGENT

BRINGS MOVEMENT AND COMFORT INTO YOUR KITCHEN

 KESSEBÖHMER



Technical Support

Short-URL:
<https://kbgo.to/supe>



Product Information

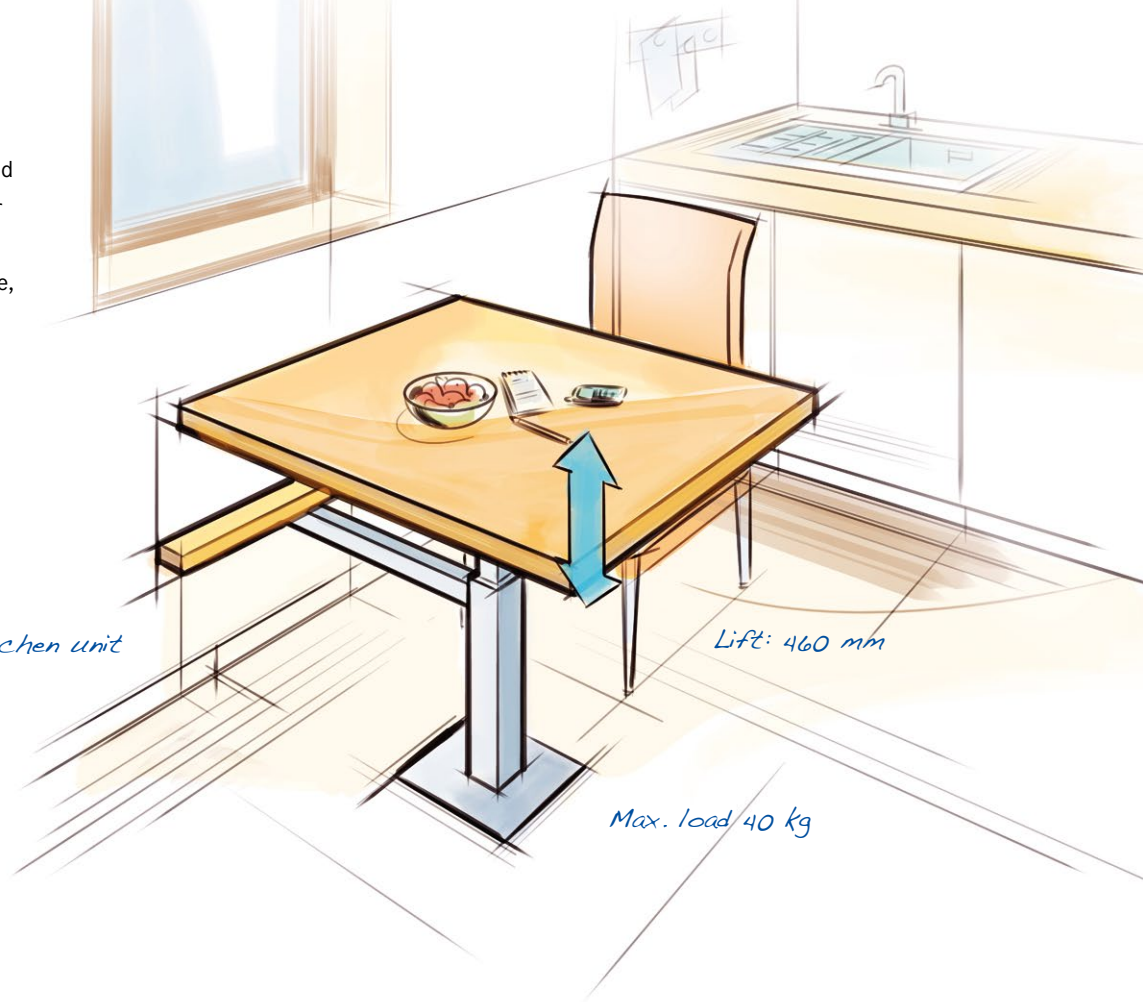
Short-URL:
<https://kbgo.to/erae>

The ergoAGENT mono lifts and lowers the worktop, ready for all sorts of different uses. It can be a compact dining table, a variable-height workplace, a stand-up table or even a children's play.



PLUS X AWARD®

*Attach to a kitchen unit
or a wall*



ergoAGENT mono

A SMALL TABLE AND A LOT MORE FREEDOM

KESSEBÖHMER





Fitting ergoAGENT mono

Load capacity: max. 40 kg (incl. worktop)
 Worktop: ≤1.200 x 800 mm

Telescopic wall connecting beam: 575-875 m

Colour code:
 Grey metallic 7973

Dimensions (mm)

Steplessly
 height adjustable
 from 655-1115 mm
 (plus worktop)

Item no.

007706 7973

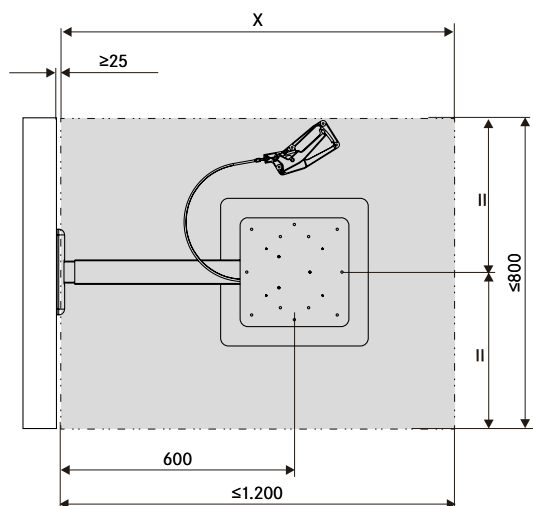
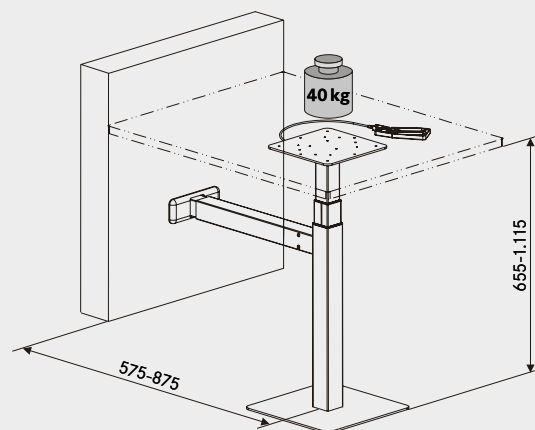
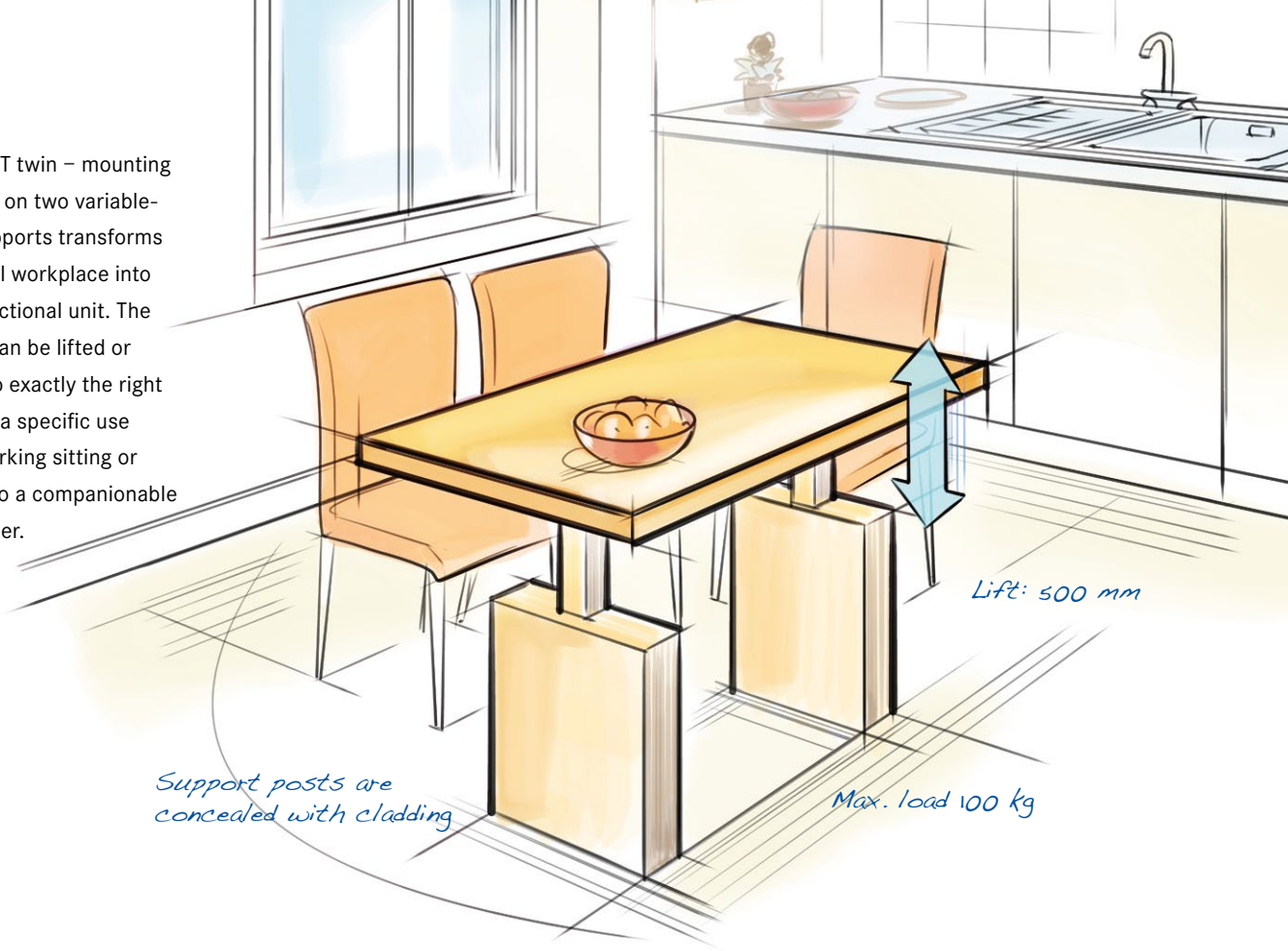


Fig.: Dimensions in mm



ergoAGENT twin – mounting a tabletop on two variable-height supports transforms the central workplace into a multifunctional unit. The tabletop can be lifted or lowered to exactly the right height for a specific use – from working sitting or standing to a companionable get-together.



ergoAGENT twin

THE VARIABLE TWO POSTS TABLE

KESSEBÖHMER





Fitting ergoAGENT twin

Load capacity: max. 100 kg (incl. worktop)
 Worktop: ≤1.800 x 800 mm

Colour code:
 Grey metallic 7973

Dimensions (mm)

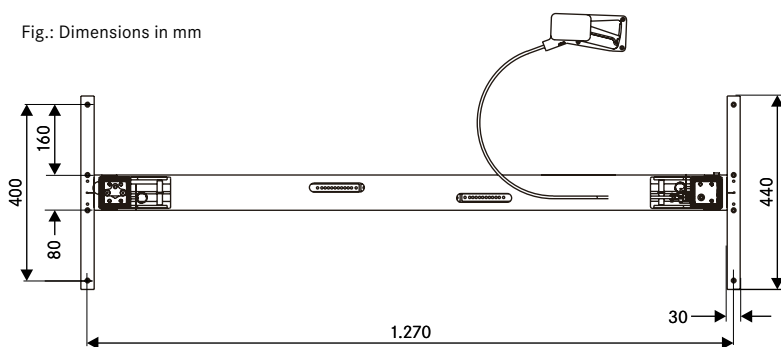
Steplessly
 height adjustable
 from 655-1115 mm
 (plus worktop)

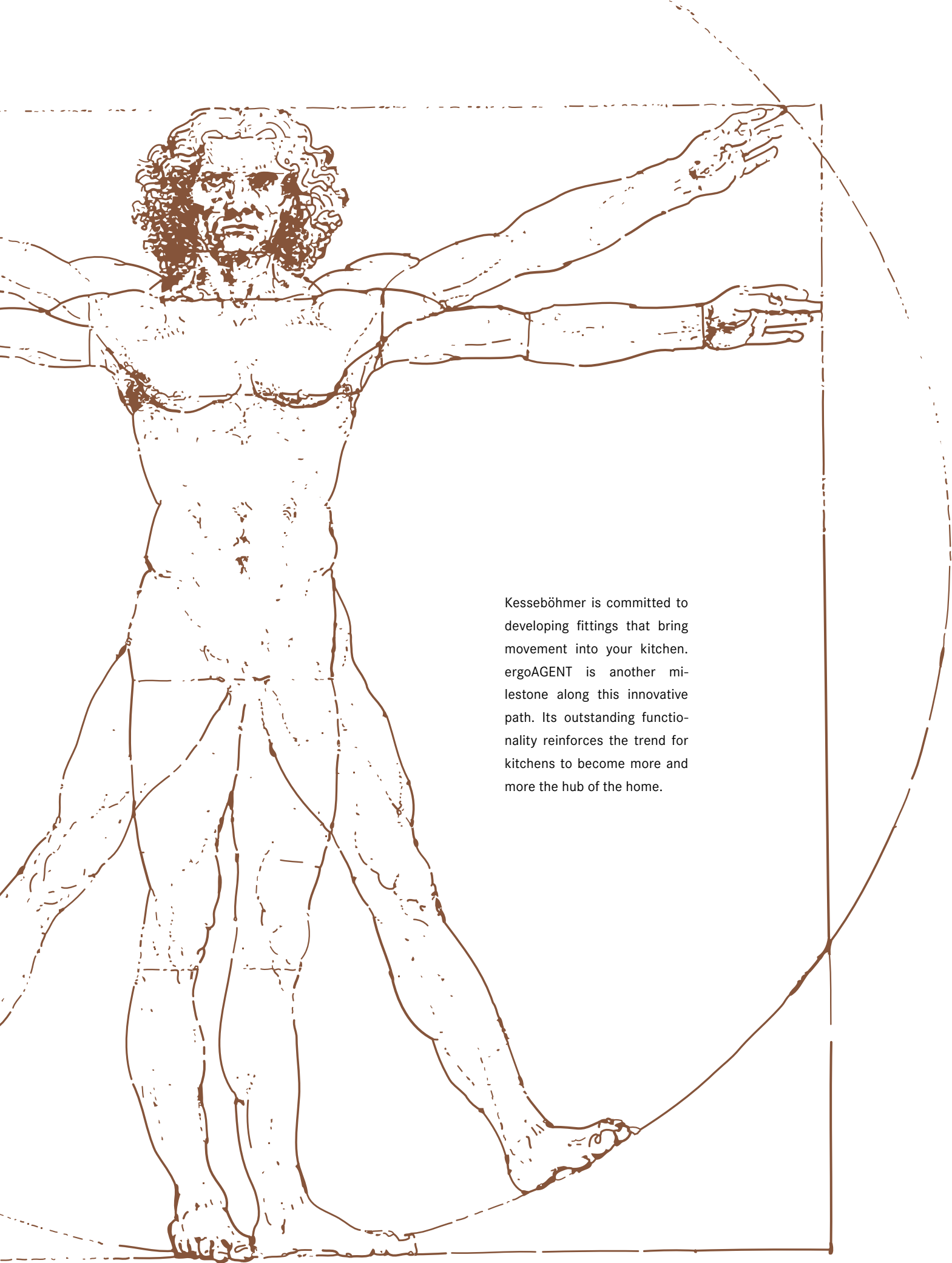
Item no.

007707 7973



Fig.: Dimensions in mm





Kesseböhmer is committed to developing fittings that bring movement into your kitchen. ergoAGENT is another milestone along this innovative path. Its outstanding functionality reinforces the trend for kitchens to become more and more the hub of the home.



TopFlex

TABLE IN WAITING

 KESSEBÖHMER



Technical Support

Short-URL:
<https://kbgo.to/supe>



Product Information

Short-URL:
<https://kbgo.to/tfxe>



Tucked neatly away behind a drawer front, this stable, cantilevered pull-out table is ready to use whenever you need the extra working space.



As you pull it out, the “front panel” drops down automatically.



The entire movement sequence is smooth and virtually effortless. Even partially pulled out it can be used as a practical work area.



Pulled fully out, the two halves of the tabletop are completely level and create a highly practical working area.

Table in waiting:

The width of a TopFlex pull-out table fitting can be freely selected within the constraints of weight and cabinet width.

It can be built into a 45 to 90-cm base unit.



TopFlex is available either with a drop-down or with a fixed front panel (see above).





Item no. Dimensions (mm)

005231 0102

For side wall
15 + 16 mm

005241 0102

18 + 19 mm

Pull-out table fitting

TopFlex

with drop-down front, cantilevered, complete, with White worktop,
Carcase depth: ≥500 mm
Carcase width: 600 mm
Extended length: 810 mm

Load capacity: max. 30 kg

Colour code:
Silver 0102



005234 0102

For side wall
15 + 16 mm

005244 0102

18 + 19 mm

Pull-out table fitting

TopFlex

with fixed front, cantilevered, complete, with White worktop,
Carcase depth: ≥500 mm
Carcase width: 600 mm
Extended length: 810 mm

Load capacity: max. 30 kg

Colour code:
Silver 0102



005236 0102

For worktop thicknesses
15-19 mm

Pull-out table fitting

TopFlex

with drop-down front, cantilevered, complete, **without** worktop
Carcase depth: ≥500 mm
Extended length: 810 mm
Any width between 450 and 900 mm

Load capacity: max. 30 kg

Colour code:
Silver 0102



005238 0102

For worktop thicknesses
15-19 mm

Pull-out table fitting

TopFlex

with fixed front, cantilevered, complete, **without** worktop
Carcase depth: ≥500 mm
Extended length: 810 mm
Any width between 450 and 900 mm

Load capacity: max. 30 kg

Colour code:
Silver 0102

TOPFLEX PUSH-TO-OPEN

push-to-open from Kesseböhmer is the handleless option of mechanical opening for the **TopFlex**.



push-to-open (PTO) Typ II

TopFlex

Drill-in ejector

● 22-34 N

Dimensions (mm)

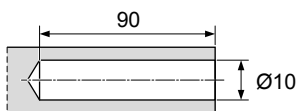
Item no.

272073 7035

Can only be used for TopFlex with a **rigid** front panel!

PTO housing **cannot** be used.

Grey 7035





SPLASHBACK FITTINGS

CONTENTS

 KESSEBÖHMER

LINERO MosaiQ

Versatile, variable and
eye-catching design



LINERO 2000

Design, which organizes



Technical Support

Short-URL:
<https://kbgo.to/supe>



Product Information

Short-URL:
<https://kbgo.to/06e>





LINERO MosaiQ

VERSATILE, VARIABLE AND EYE-CATCHING DESIGN

 KESSEBÖHMER



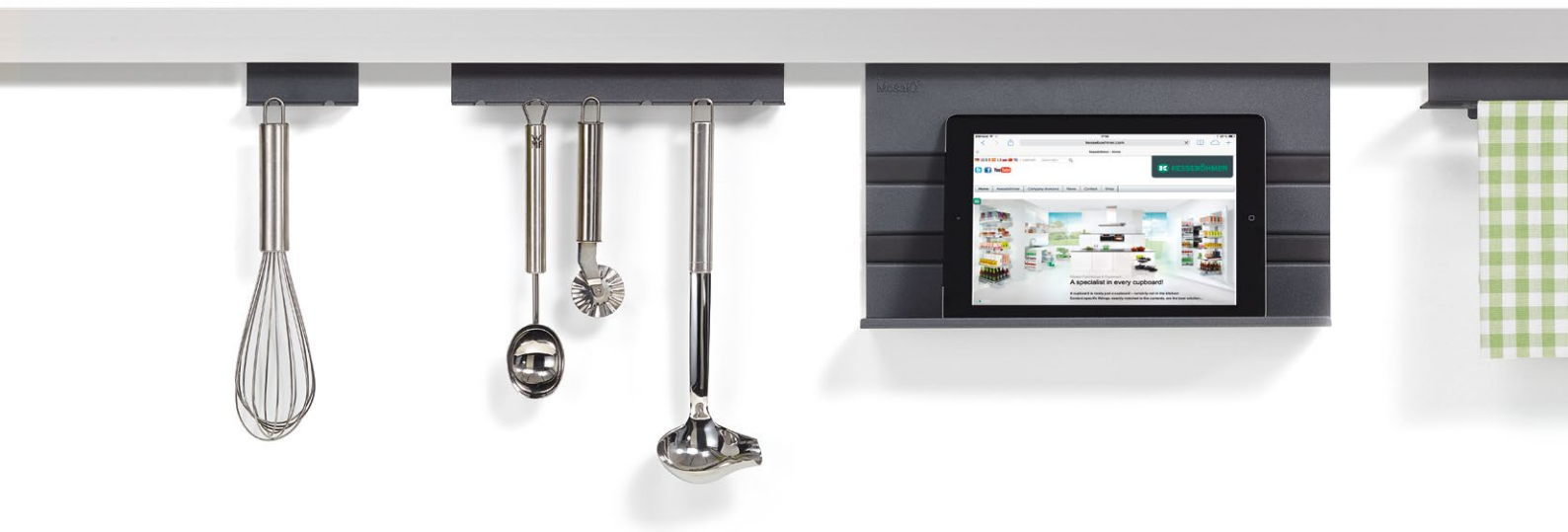
Technical Support

Short-URL:
<https://kbgo.to/supe>



Product Information

Short-URL:
<https://kbgo.to/msqe>



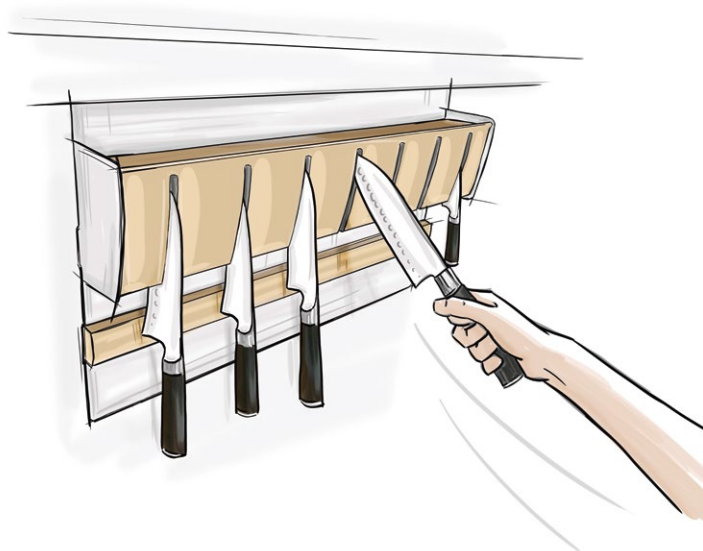
LINERO MosaiQ

HUGE USER CHOICE, FINE DESIGN

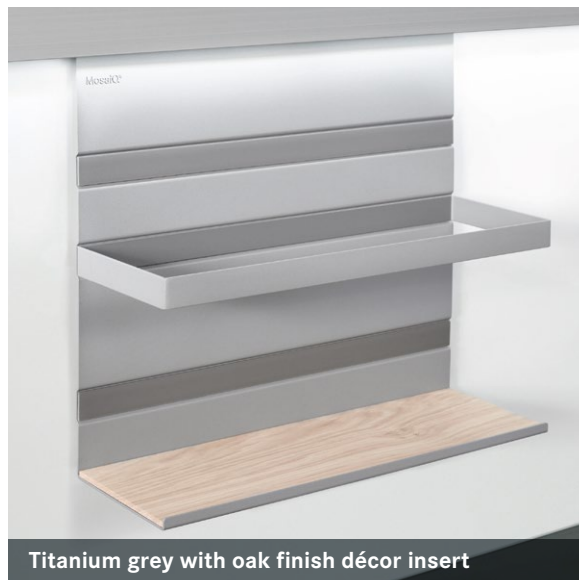
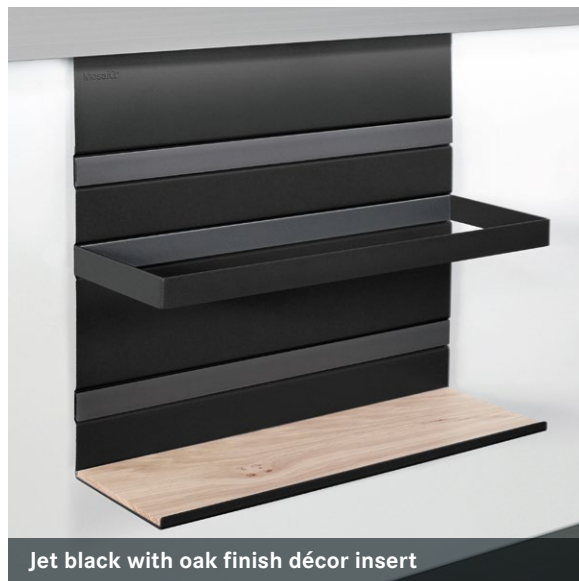
 KESSEBÖHMER



THE NAME SUMS IT UP – the new midway elements are yours to mix and match, like mosaic stones, along the elegant rail. The multi-functional, anodised aluminium rail is the basic element in this variable system. The many practical optional elements are hooked in above or below the rail and can be moved or rearranged whenever you want to. And of course, LINERO MosaiQ is compatible with Kesseböhmer's successful Linero 2000 System.



LINERO MosaiQ – RACTICAL AND ATTRACTIVE! The colours –jet black, graphite black and titanium grey – for the matt, tactile coating were chosen in consultation with experts at a well-known design institute. Décor inserts for the metal shelves come in a choice of wood finish or smoked glass.



Set aluminium rail

LINERO MosaiQ

- 1 aluminium rail
- 2 end caps
- 1 connector
- Fixing material to screw in placen

Colour code:
 Stainless steel finish 9845
 Jet black 0034

Dimensions (mm)	Item no.
BxDxH	
600* x 32,9 x 41,5	008900 9845
	008900 0034
900* x 32,9 x 41,5	008901 9845
	008901 0034
1.200* x 32,9 x 41,5	008902 9845
	008902 0034
1.500* x 32,9 x 41,5	008903 9845
	008903 0034
1.800* x 32,9 x 41,5	234951 9845
	234951 0034
*plus. 2 mm per end cap	



Universal shelf 140

LINERO MosaiQ

Colour code:
 Titanium grey 9843
 Graphite black 9844
 Jet black 9873

BxDxH	
350 x 110 x 140	008912 9843
	008912 9844
Storage area:	008912 9873
350 x 107	



Universal shelf 200

LINERO MosaiQ

Colour code:
 Titanium grey 9843
 Graphite black 9844
 Jet black 9873

BxDxH	
350 x 110 x 200	008913 9843
	008913 9844
Storage area:	008913 9873
350 x 107	



Universal shelf 300

LINERO MosaiQ

Colour code:
 Titanium grey 9843
 Graphite black 9844
 Jet black 9873

BxDxH	
350 x 110 x 300	008914 9843
	008914 9844
Storage area:	008914 9873
350 x 107	



Universal shelf 200 with railing

LINERO MosaiQ

Colour code:
 Titanium grey 9843
 Graphite black 9844
 Jet black 9873

BxDxH	
350 x 110 x 200	008918 9843
	008918 9844
Storage area:	008918 9873
350 x 107	



Universal shelf 300 with railing

LINERO MosaiQ

Colour code:
 Titanium grey 9843
 Graphite black 9844
 Jet black 9873

BxDxH	
350 x 110 x 300	008919 9843
	008919 9844
Storage area:	008919 9873
350 x 107	





Item no. Dimensions (mm)

008927 9843 BxDxH
350 x 110 x 300

008927 9844

008927 9873 Storage area:
350 x 107

Memoboard 300

LINERO MosaiQ

Magnetic board and memo board
(Universal shelf with write-on and wipe-clean
glass back panel; use with magnets)

Colour code:
Titanium grey 9843
Graphite black 9844
Jet black 9873



008908 9843 BxDxH
350 x 155 x 120

008908 9844

008908 9873

Paper roll holder

LINERO MosaiQ

for paper towel rolls up to 295 mm wide

Colour code:
Titanium grey 9843
Graphite black 9844
Jet black 9873



008909 9843 BxDxH
350 x 110 x 300

008909 9844

008909 9873

ROLLINERO foil dispenser

LINERO MosaiQ

for rolls up to 330 mm wide

Colour code:
Titanium grey 9843
Graphite black 9844
Jet black 9873



008905 9843 BxDxH
350 x 45 x 200

008905 9844

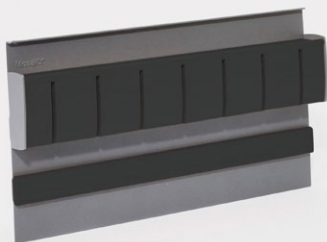
008905 9873

Magnetic knifeholder

LINERO MosaiQ

Finish: oak

Colour code:
Titanium grey 9843
Graphite black 9844
Jet black 9873



008906 9843 BxDxH
350 x 45 x 200

008906 9844

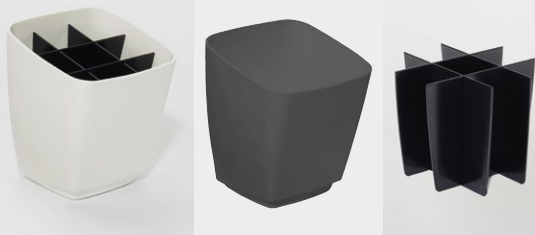
008906 9873

Magnetic knifeholder

LINERO MosaiQ

Finish: plastic, grey black

Colour code:
Titanium grey 9843
Graphite black 9844
Jet black 9873



008910 9003 BxDxH
135 x 135 x 156

008910 7981

Container/herb pot LINERO MosaiQ

incl. removable dividers

Material: plastic, UV-resistant, food safe
and dishwasher proof

Farbnummer:
White 9003
Anthracite black 7981



008911 9003 BxDxH
116 x 115 x 56

Dish LINERO MosaiQ

Material: plastic, UV-resistant, food safe
and dishwasher proof

Farbnummer:
White 9003

	Dimensions (mm)	Item no.
Top-mounted towel rail LINERO MosaiQ insert from above	BxDxH 350 x 77 x 10	008920 9843 008920 9844 008920 9873
Colour code: Titanium grey 9843 Graphite black 9844 Jet black 9873		



Towel rail LINERO MosaiQ insert from below	BxDxH 350 x 77 x 46	008921 9843 008921 9844 008921 9873
Colour code: Titanium grey 9843 Graphite black 9844 Jet black 9873		



Double hook LINERO MosaiQ	BxDxH 85 x 44 x 38	008922 9843 008922 9844 008922 9873
Colour code: Titanium grey 9843 Graphite black 9844 Jet black 9873		



Hook strip LINERO MosaiQ	BxDxH 250 x 44 x 38	008923 9843 008923 9844 008923 9873
Colour code: Titanium grey 9843 Graphite black 9844 Jet black 9873		



Top-mounted shelf 235 LINERO MosaiQ insert from above	BxDxH 235 x 107 x 8	008924 9843 008924 9844 008924 9873
Colour code: Titanium grey 9843 Graphite black 9844 Jet black 9873		



Top-mounted shelf 350 LINERO MosaiQ insert from above	BxDxH 350 x 107 x 8	008925 9843 008925 9844 008925 9873
Colour code: Titanium grey 9843 Graphite black 9844 Jet black 9873		



Top-mounted shelf 585 LINERO MosaiQ insert from above	BxDxH 585 x 107 x 8	008926 9843 008926 9844 008926 9873
Colour code: Titanium grey 9843 Graphite black 9844 Jet black 9873		



Decor insert oak LINERO MosaiQ For all shelves of the relevant width	BxDxH 235 x 106,5 x 4 350 x 106,5 x 4 585 x 106,5 x 4	008928 0358 008929 0358 008930 0358
Colour code: Oak 0358		



Decor insert smoked glass LINERO MosaiQ For all shelves of the relevant width	BxDxH 235 x 106,5 x 4 350 x 106,5 x 4 585 x 106,5 x 4	008931 0000 008932 0000 008933 0000
Colour code: Other 0000		





LED LIGHT STRIP

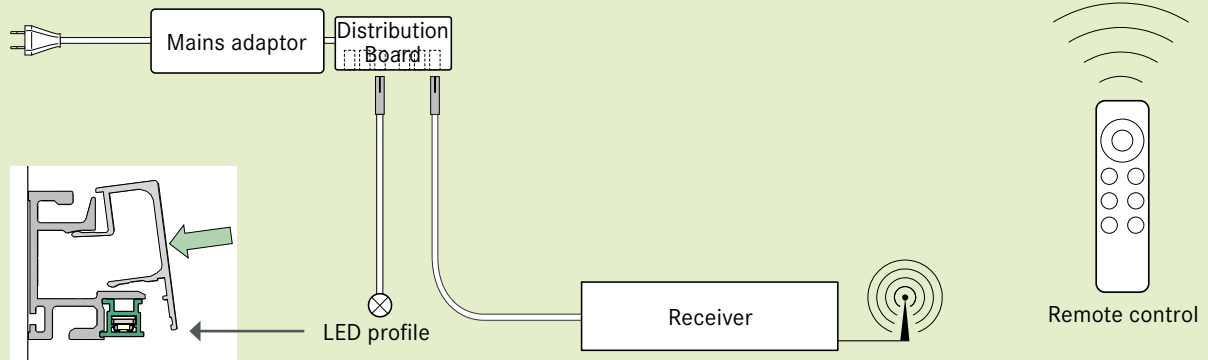
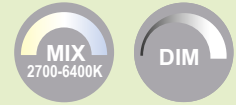
LIGHT UP YOUR LINERO MosaiQ

KESSEBÖHMER



WITH INTEGRATED LED LIGHT STICKS, THE MULTIFUNCTIONAL RAIL CASTS A NEUTRAL WHITE, INDIRECT LIGHT OVER THE MOSAIQ ELEMENTS. With a LINERO MosaiQ system in your kitchen (or bathroom) you can store stuff exactly where you want it. You can have cappuccino cups, a sugar shaker (or aftershave and a toothbrush) exactly where you need them and where they look good too. There's a place for your tablet, or your smartphone, or anything else you want to keep handy.

Installation options



LED profile

LINERO MosaiQ

Colour temperature: 2700-6400 Kelvin

Simple to integrate by clipping onto the LINERO MosaiQ profile

Length fits aluminium profile

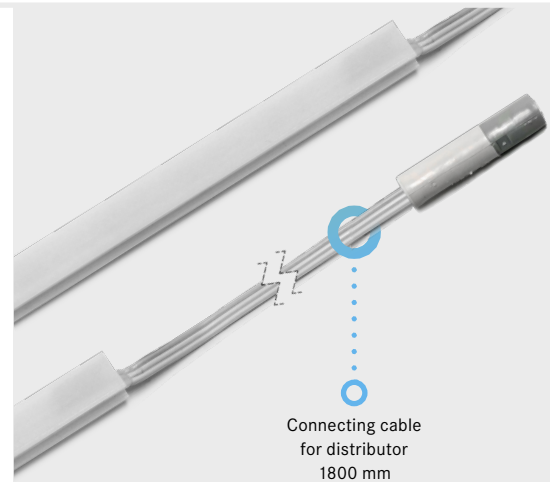
- Easy assembly
- Suitable for stepless control of light colour
- Dimmable

To operate the LED profiles, you absolutely need the LED light control set (see below)!

Dimensions (mm)

Item no.

Dimensions (mm)	Item no.
LxDxH	
400 x 12.5 x 10.25	008971 0000
600 x 12.5 x 10.25	008972 0000
900 x 12.5 x 10.25	008973 0000
1200 x 12.5 x 10.25	008974 0000
1500 x 12.5 x 10.25	008975 0000
1800 x 12.5 x 10.25	008976 0000



LED light control set

LINERO MosaiQ

consisting of

- Mains adaptor/driver
- 6-way distributor
- Receiver
- Remote control

Suitable for stepless control of the light colour and for dimming

max. 75 Watt,
primary: 100-240 Volt, 50/60 Hz
secondary: 12 Volt
incl. 2900 mm mains cable

None of the LED light control set components can be accommodated in the aluminium profile!

LxDxH

184 x 61 x 33
90 x 35 x 17
178 x 46 x 22
137 x 39 x 11

EU plug

008982 0000

GB/UK plug

008983 0000

US/JP plug

008984 0000

AUS plug

008985 0000



LED extension cable

LINERO MosaiQ

Optional component for flexible extension of connecting cable from LED profile to distributor

Length

3000 mm

008978 0000





eBoxx

ONE BOX – MULTIPLE FUNCTIONS

— KESSEBÖHMER —

TODAY'S KITCHENS HAVE TO MEET HIGH EXPECTATIONS. QUITE APART FROM THEIR CENTRAL FUNCTION – COOKING – INTELLIGENT AND UP-TO-DATE ENERGY AND SOCKET MANAGEMENT IS MORE AND MORE IMPORTANT. It's the only way to cope with the escalating number of electrical appliances. In addition, digital media are moving into the kitchen in a big way. More and more people look up recipes on their tablets or smartphones.

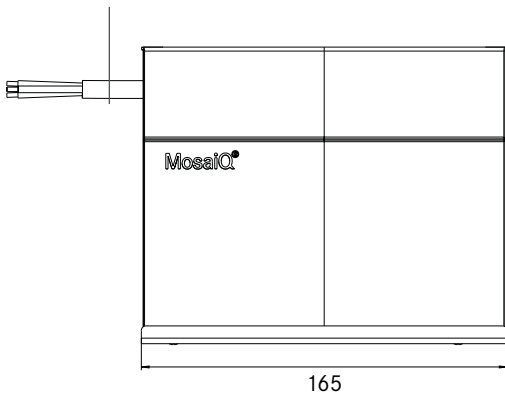
The eBoxx is a practical response to all these demands. It provides extra sockets – that are easy to reach – and a secure place to stand a tablet or smartphone.





- PRODUCT FEATURES**
- Extra sockets: “you can never have too many sockets in your kitchen”
 - Flexibility: the eBoxx can be positioned anywhere along the rail
 - Retrofittable: saves the bother of laying cables under plaster
 - A lot of technology integrated in one box: sockets and cables neatly integrated in the rail and eBoxx
 - Convenient sockets to charge tablets, smartphones, etc. The metal shelf provides secure storage.

Power-in cable, twin + earth, 2 meters



Power-in cable, twin + earth, 2 meters

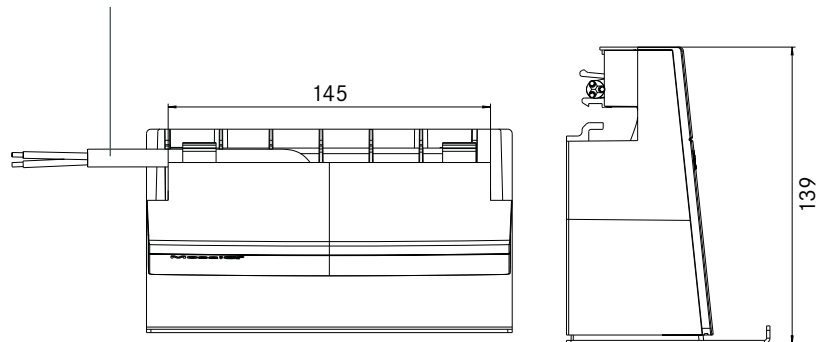


Fig: Dimensions in mm

eBoxx set sockets only
LINERO MosaiQ
 with 2 integrated sockets

Consists of:
 2x socket, earthed
 1x power-in cable, twin + earth, 2 metres

WARNING: Open cable end of the power supply cable must be installed by a qualified electrician. GB
 (Observe DIN VDE 0100.)

Colour codes metal shelf:
 Titanium grey 9843
 Graphite black 9844

Plastic housing:
 Titanium grey

Dimensions (mm)

BxDxH
 165 x 92 x 139

Country:
 DE/ES/IT

FR/BE/PL/CZ

AUS

USA

Item no.

- 008954 9843
- 008954 9844
- 008958 9843
- 008958 9844
- 008960 9843
- 008960 9844
- 008962 9843
- 008962 9844
- 008964 9843
- 008964 9844





NO-DRILL FIXING: PowerMaxx

IDEAL FOR LINERO MosaiQ



PowerMaxx is the ideal no-drilling solution for attaching the LINERO MosaiQ rail to any smooth interior surface. The substrate must be smooth and even and capable of bearing the load – tiles, glass, wood, laminates, metals and many plastics.

PowerMaxx can be removed from almost any substrate without leaving any residues. Gluing instead of drilling makes installation far easier, but the connection is just as strong.

Product features:

- PowerMaxx for no-drill fixing – especially on glass splashbacks
- Simple, errorproof installation
- Ideal for retrofitting
- Removable with no residues
- Product MADE IN GERMANY

Product description	Tube contents	Atomiser contents
Product type	Glue	Activator and cleaning agent
Components	2-component	
Amount	One set is enough to glue on 1500 mm profile	
Load capacity	15 kg per metre	
Application temperature (short – up to 1 hour)	-40°C to 100°C (120°C)	

PU

Item no.

PowerMaxx set
(for 1500 mm profile)

1 set

008904 0000

Consists of:

- 1x consumer package with euro slot hanger
- 4x positioning aids
- 1x 6-gram glue pouch
- 1x atomiser (cleaning agent/activator)
- 1x toothed spatula

Colour code:

Other 0000





LINERO MosaiQ

SETS IN CONSUMER BOX

KESSEBÖHMER

Item no.

Starter Set MAXI

Contents:

- 2x rail incl. fixing materials ❶ 600 mm
- 2x double hook ❷
- 1x universal shelf 300 ❸
- 1x paper roll holder for paper towels ❹
- 1x container incl. removable dividers ❺

Colour code:

- Titanium grey 9843
- Graphite black 9844

008948 9843

008948 9844



❶



❷



❸



❹



❺



❻



❼



❽



Starter Set MIDI

Contents:

- 1x rail incl. fixing materials ❶ 600 mm
- 1x double hook ❷
- 1x universal shelf 300 ❸
- 1x container incl. removable dividers ❺

Colour code:

- Titanium grey 9843
- Graphite black 9844

008947 9843

008947 9844

Starter Set MINI

Contents:

- 1x rail incl. fixing materials ❶ 600 mm
- 1x double hook ❷
- 1x paper roll holder for paper towels ❹

Colour code:

- Titanium grey 9843
- Graphite black 9844

008946 9843

008946 9844

Add-on set magnetic knifeholder

Contents:

- 1x rail incl. fixing materials ❶ 600 mm
- 1x magnetic knifeholder ❻

Colour code:

- Titanium grey 9843
- Graphite black 9844

008950 9843

008950 9844

Add-on set foil dispenser

Contents:

- 1x rail incl. fixing materials ❶ 600 mm
- 1x foil dispenser ❼

Colour code:

- Titanium grey 9843
- Graphite black 9844

008949 9843

008949 9844

Add-on set memoboard

Contents:

- 1x rail incl. fixing materials ❶ 600 mm
- 1x memoboard ❸
- 1x dish ❽

Colour code:

- Titanium grey 9843
- Graphite black 9844

008951 9843

008951 9844



LINERO MosaiQ SHELF SET

DESIGN YOUR OWN OPEN STORAGE SPACES

— KESSEBÖHMER —

WITH THE LINERO MOSAIQ SHELF SET YOU CAN PUT A SHELF EXACTLY WHERE YOU NEED IT. This is a stand-alone organizer element, optically related to the MosaiQ system, that can be put up anywhere. You choose the height (min. 160 mm) and the design of the 16°mm thick back panel. The back panel accommodates the hanging slots and links the two shelf elements to create a practical piece of furniture. The shelf elements are available in a choice of four widths and in colours toning with the MosaiQ system – titanium grey and graphite black.

PRODUCT FEATURES

- Carries on the popular look&style of the LINERO MosaiQ midway system
- Simple, errorproof assembly and installation
- Individual choice of back panel decor
- Set pack: shelf angles top and bottom; Customers add their choice of back panel
- Ideal for kitchens and living areas



Shelf angle



Back panel

LINERO MosaiQ shelf set

Consists of:

Top and bottom shelf angle
with holes for wall fixings
and screw holes for attaching the back panel
(Not included: back panel and wall fixings
Ø 35 mm)

Colour code:

- Titanium grey 9843
- Graphite black 9844
- Jet black 9873

Dimensions (mm)

BxDxH

450 x 126 x 80

600 x 126 x 80

900 x 126 x 80

1.200 x 126 x 80

Item no.

008965 9843

008965 9844

008965 9873

008966 9843

008966 9844

008966 9873

008967 9843

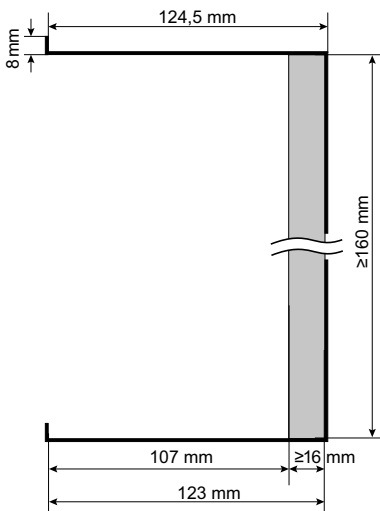
008967 9844

008967 9873

008968 9843

008968 9844

008968 9873





LINERO 2000

LONG-TIME POPULAR CLASSIC

 KESSEBÖHMER



Technical Support

Short-URL:
<https://kbgo.to/supe>



Product Information

Short-URL:
<https://kbgo.to/line>



Stainless steel finish



MORE IDEAS PER CENTIMETRE. This is a typical Kesseböhmer product in its emphasis on form and function, manufacturing quality and fine design. This versatile system lets users personalise their choice of elements and add to them as required. One highlight is the 3-level roll holder/dispenser. A patented device lets users tear off cling film smoothly. This is just one example of a wealth of practical, patented inventions.



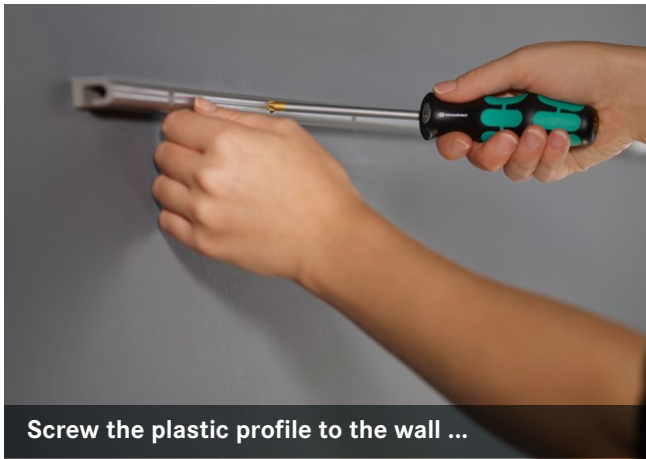
Concealed connections

**Mounting rail keeps a low profile
against the wall**

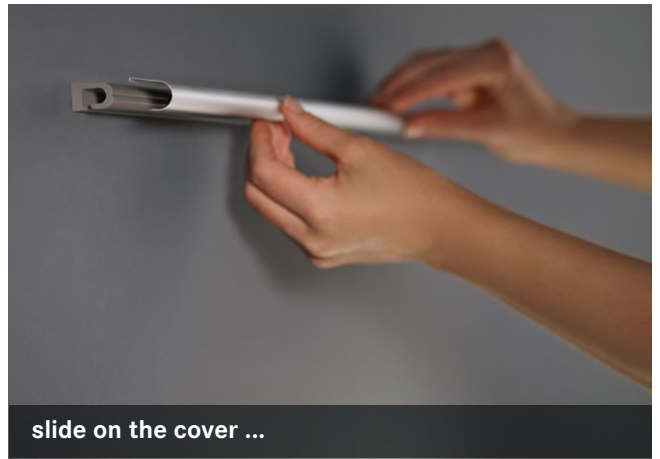
**Wide choice of
functional elements**

**Elegant,
streamlined design**

**Safety designed in –
eg, knife holder with safety guard**



Screw the plastic profile to the wall ...



slide on the cover ...



clip on the end caps ...



hang the functional elements in place.

Rail set

LINERO 2000

- 1x rail incl. fixing materials
- 2x end caps
- 1x connector

Colour code:
Stainless steel finish 0025

Dimensions (mm)

Length:

- 600
- 900
- 1.200
- 1.500

Item no.

- 018090 0025
- 018112 0025
- 018091 0025
- 018113 0025



Hook strip

LINERO 2000

Colour code:
Stainless steel finish 0019

Length:

- 87
- 380

- 008121 0019
- 008101 0019





Use both hands to pull out the length of film you want.



The pulling action automatically lifts the tear-off edge.



Tear the film off diagonally – the tear-off edge drops back automatically into its start position.

Roll dispenser
ROLLINERO 2000
3-tier, with automatic cutter
for aluminium foil and clingfilm

Colour code:
Stainless steel finish 0019

Dimensions (mm) **Item no.**

BxDxH
352 x 150 x 305 **008117 0019**



Paper roll holder
LINERO 2000
For paper towels

Colour code:
Stainless steel finish 0019

BxDxH
352 x 150 x 260 **008102 0019**



Universal shelf
LINERO 2000

Colour code:
Stainless steel finish 0019

BxDxH
440 x 150 x 271 **008103 0019**



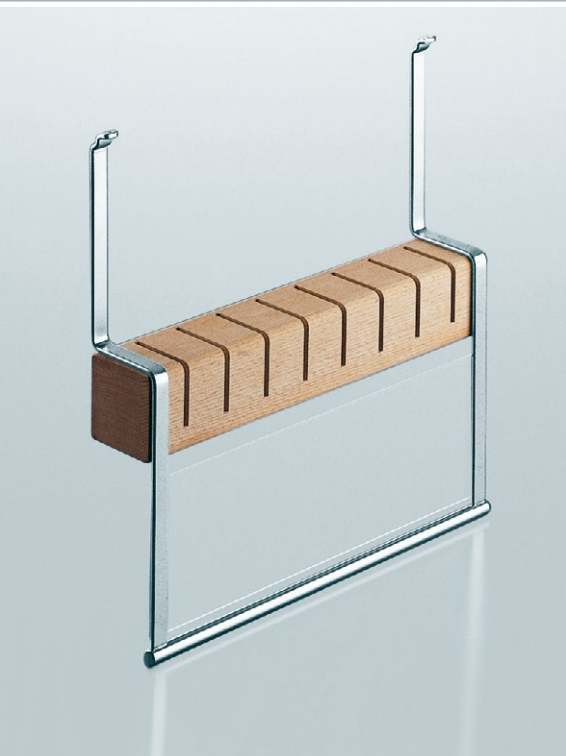


Item no. Dimensions (mm)

008096 0019 BxDxH
380 x 80 x 271
For bottles and jars
up to Ø 59 mm
and height up to
approx. 110 mm

Spice rack
LINERO 2000
2 levels

Colour code:
Stainless steel finish 0019



008118 0019 BxDxH
380 x 80 x 370

Knife holder
LINERO 2000
With solid beech knife block

Colour code:
Stainless steel finish 0019





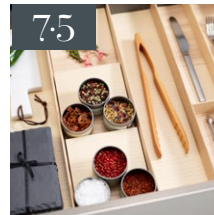
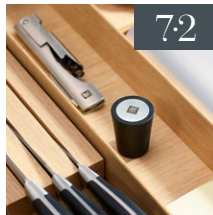
ACCESSOIRES

CONTENT

 KESSEBÖHMER

FineLine LiniQ

Perfection is in the detail



DRAWERS AND PULL-OUTS

Extremely versatile

ARENA select for CONVOY

Create your own style



SPACE FLEXX

The flexible organisation system for storage containers and more

YOUBOXX SETS

DISPENSA family
DISPENSA junior III
COMFORT II

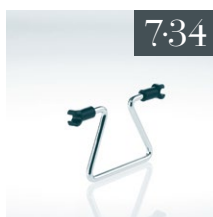


DEPOTLINE

Storage container set & food dish set

DIVIDERS & HOOK-ON BASKETS

Divide in style



BOTTLE RACKS & SPICE RACKS

Infinite storage space for bottles and spices

PUSH-TO-OPEN

Possible applications



Technical Support

Short-URL:
<https://kbgo.to/supe>



Product Information

Short-URL:
<https://kbgo.to/07e>

18.10.2021



FineLine LiniQ

PERFECTION IS IN THE DETAIL



Technical Support

Short-URL:
<https://kbgo.to/supe>



Product Information

Short-URL:
<https://kbgo.to/hane>

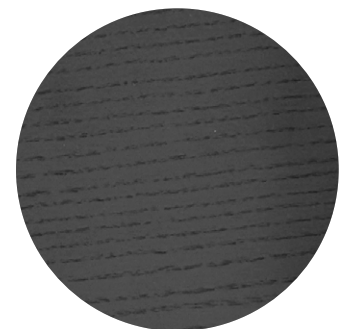




Natural oak 0369



Ash nordic 0378



Ash black 0368

Practical and sophisticated

FLEXIBLE DIVIDING



THE NEW „FINELINE LINIQ“ FITTING SYSTEM WAS DEVELOPED WITH THE AIM OF REDUCING COMPLEXITY AS MUCH AS POSSIBLE.

The kits, preconfigured as sets for the interior fitting out of pull-outs and drawers, are presented in three colours: light oak, ash nordic and ash black.

There are benefits to this system for logistics and for presentation, both resulting from the reduction in different versions. Thanks to the homogenous and consistent look, there is no irritating colour contrast showing through from the base of the drawer. The sets can be used either for chamfered drawer frames or for straight-edged frames.

CUTLERY INSERTS



For 300 mm cabinet width

Item no. Dimensions (mm)

WxDxH
009200 0369 150 x 472 x 43
009200 0378
009200 0368

FineLine LiniQ
multifunctional insert
For 300 mm cabinet width

Colour code:
Natural oak 0369
Ash nordic 0378
Ash black 0368



For 400-450 mm cabinet width

009201 0369 WxDxH
009201 0378 260-460* x 472 x 43
009201 0368

Cutlery insert
FineLine LiniQ
For 400-450 mm cabinet width

*min. max. clear Colour code:
inside drawer width Natural oak 0369
Ash nordic 0378
Ash black 0368



For 500-600 mm cabinet width

009202 0369 WxDxH
009202 0378 385-610* x 472 x 43
009202 0368

Cutlery insert
incl. multifunctional insert
FineLine LiniQ
For 500-600 mm cabinet width

*min. max. clear Colour code:
inside drawer width Natural oak 0369
Ash nordic 0378
Ash black 0368

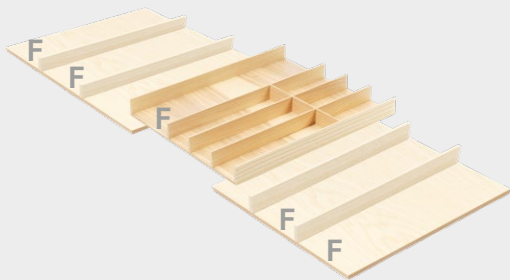


For 800-900 mm cabinet width

009203 0369 WxDxH
009203 0378 580-935* x 472 x 43
009203 0368

Cutlery insert
incl. multifunctional inserts
FineLine LiniQ
For 800-900 mm cabinet width

*min. max. clear Colour code:
inside drawer width Natural oak 0369
Ash nordic 0378
Ash black 0368



For 1000-1200 mm cabinet width

009204 0369 WxDxH
009204 0378 900-1250* x 472 x 43
009204 0368

Cutlery insert
incl. multifunctional inserts
FineLine LiniQ
For 1000-1200 mm cabinet width

*min. max. clear Colour code:
inside drawer width Natural oak 0369
Ash nordic 0378
Ash black 0368

F = options for inserting
functional elements

FineLine LiniQ is suitable for all conventional drawer systems with an internal depth of at least 472 mm. For the Grass Nova pro an additional depth extension of 7 mm is required.

MULTIFUNCTIONAL INSERTS



F = options for inserting functional elements

Example: 009204 0378 (cutlery insert 1000-1200 mm width)

	Dimensions (mm)	Item no.	
<p>Cross-shaped divider FineLine LiniQ suitable for the multifunctional insert</p> <p>Colour code: Natural oak 0369 Ash nordic 0378 Ash black 0368</p>	<p>WxDxH 137 x 472 x 37.5</p>	<p>009205 0369 009205 0378 009205 0368</p>	
<p>Spice insert, slanted FineLine LiniQ 3-level, suitable for the multifunctional insert</p> <p>Colour code: Natural oak 0369 Ash nordic 0378 Ash black 0368</p>	<p>WxDxH 137 x 472 x 26</p>	<p>009168 0369 009168 0378 009168 0368</p>	
<p>Knife block FineLine LiniQ suitable for the multifunctional insert</p> <p>Colour code: Natural oak 0369 Ash nordic 0378 Ash black 0368</p>	<p>WxDxH 137 x 472 x 26</p>	<p>009169 0369 009169 0378 009169 0368</p>	
<p>Foil dispenser FineLine LiniQ with two aluminium lids suitable for the multifunctional insert</p> <p>Colour code: Natural oak 0369 Ash nordic 0378 Ash black 0368</p>	<p>WxDxH 137 x 472 x 45</p>	<p>009210 0369 009210 0378 009210 0368</p>	

DEPTH EXTENDERS




Item no.	Dimensions (mm)	Filler piece (depth extender) for GRASS Nova pro
	WxDxH	
009208 0369	600 x 7 x 49	up to cabinet width 600 mm
009208 0378		
009208 0368		
009209 0369	1200 x 7 x 49	up to cabinet width 1200 mm
009209 0378		
009209 0368		
Colour code:		
	Natural oak	0369
	Ash nordic	0378
	Ash black	0368




Item no.	Dimensions (mm)	Depth extension FineLine LiniQ
	WxDxH	
009206 0369	600 x 150 x 49	For drawer depths > 500 mm for drawer widths up to 600 mm
009206 0378		
009206 0368		
009207 0369	1200 x 150 x 49	for drawer widths up to 1200 mm
009207 0378		
009207 0368		
Colour code:		
	Natural oak	0369
	Ash nordic	0378
	Ash black	0368

PULL-OUT DIVIDERS

	Dimensions (mm)	Item no.	
Wooden box with grip holes FineLine LiniQ	WxDxH 236 x 472 x 120	009171 0369 009171 0378 009171 0368	
Colour code: Natural oak 0369 Ash nordic 0378 Ash black 0368			

Wooden box, square, with grip holes FineLine LiniQ (Note: 2 square wooden boxes equal the depth of a normal wooden box)	WxDxH 236 x 236 x 120	009172 0369 009172 0378 009172 0368	
Colour code: Natural oak 0369 Ash nordic 0378 Ash black 0368			

Metal divider with grip holes FineLine LiniQ For wooden box	WxDxH 225 x 99 x 102	009195 9844	
Colour code: Graphite black 9844			

Plate rack adjustable	WxDxH 340 x 180 x 191	009197 0369 009197 0378 009197 0368	
Colour code: Natural oak 0369 Ash nordic 0378 Ash black 0368			



This range is suitable for front pull-outs!
Because of their partially reduced inside depth,
inside pull-outs must be considered separately.



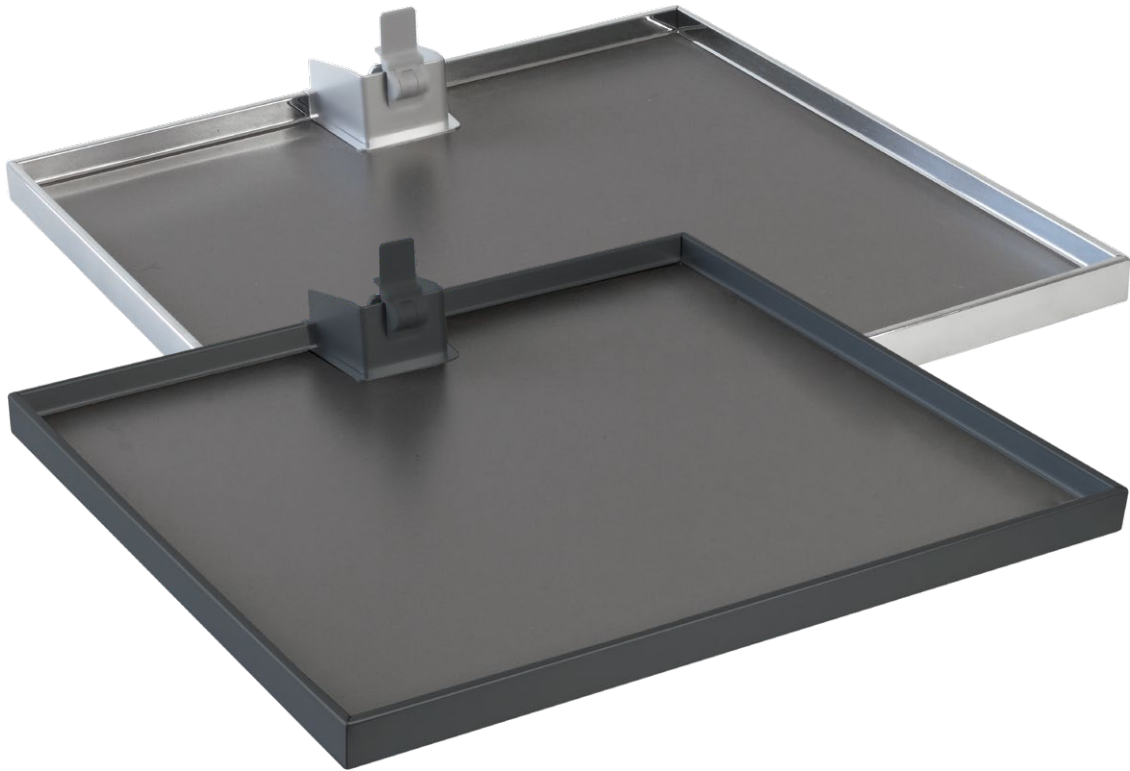
ARENA select for CONVOY

DEFINE YOUR OWN STYLE

— KESSEBÖHMER —







No connectors
for high railings



ARENA select

A CLEAR VIEW AT EVERY LEVEL

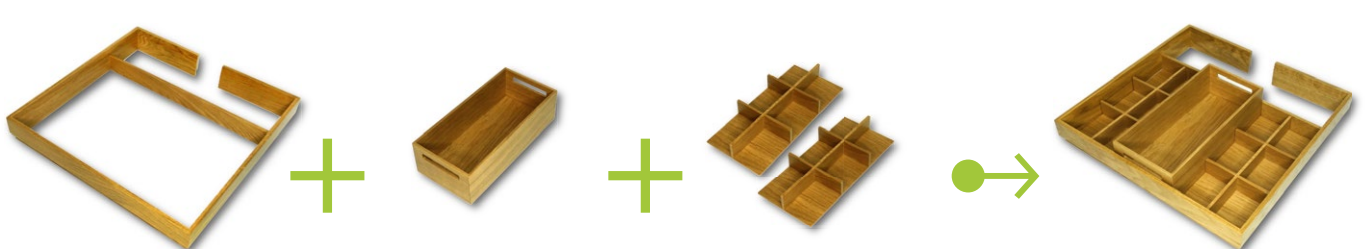
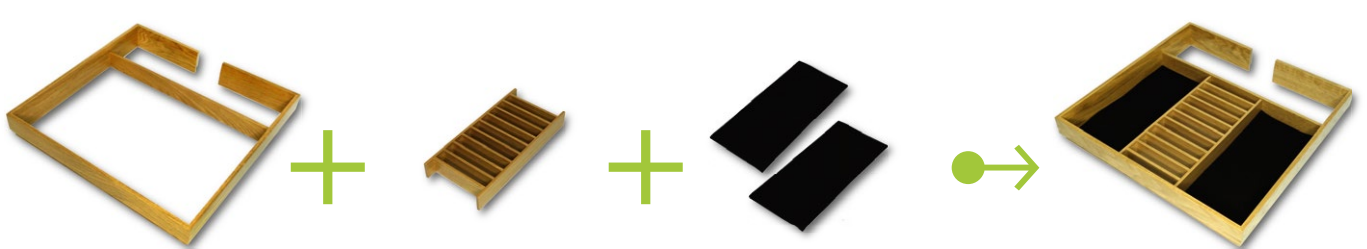
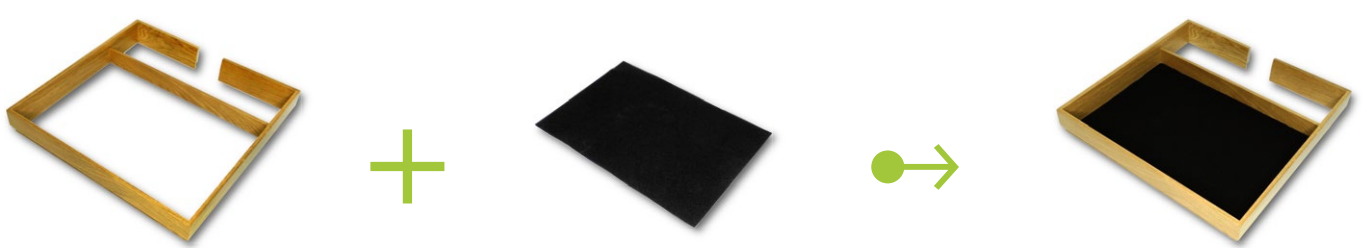
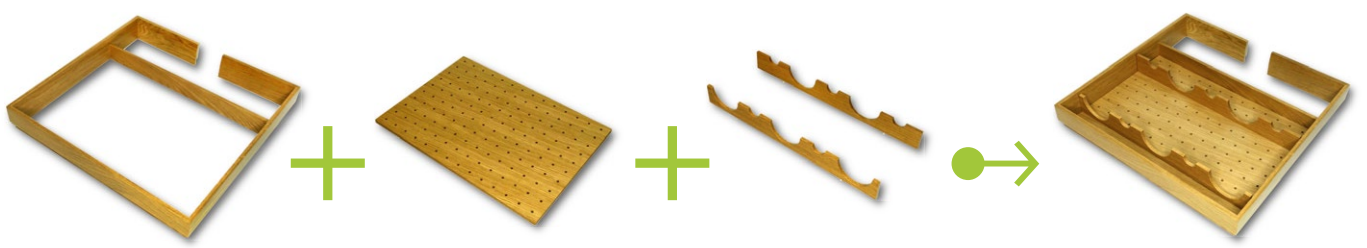
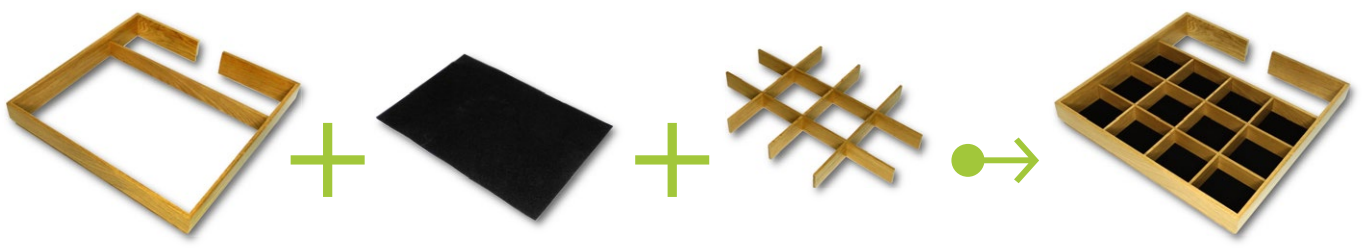
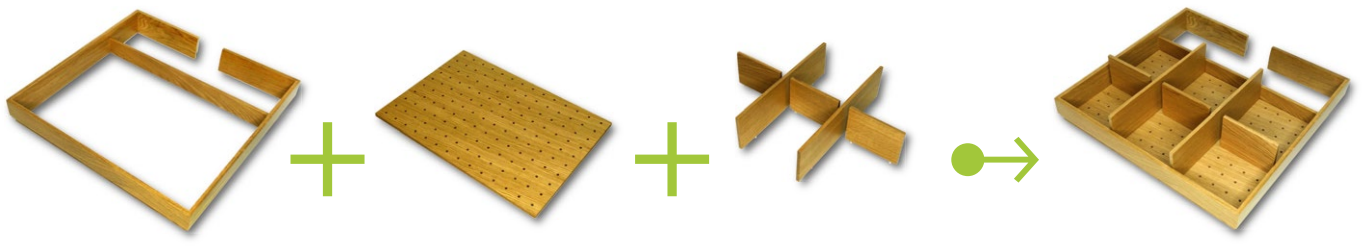
 KESSEBÖHMER

THIS IS WHAT THE ARENA select TRAYS FOR CONVOY Premio AND Lavidò DELIVER. In line with contemporary trends, the base trays are offered in a choice of up-to-date colours – bright Chromeeee and Anthracite – without a high railing. The individual oak organizer module simply fits onto the tray, creating the most attractive frame for your personal enjoyment.

Ready, steady, beautiful! A well-planned system with almost endless organizer options. Users choose the options they want; the elements are quickly installed and can be changed just as fast whenever the user feels like it. We set great store by individual choice. And our products are simply beautiful.

Combining the Rockenhausen product range with a CONVOY Premio or Lavidò requires ARENA select trays! Unlike standard trays, these trays do not have high railings.

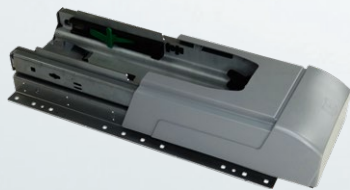




Item no.

002373 9846

Standard with



CONVOY Lavido pull-outs

With premounted cover, integrated damping for closing and opening (SoftSTOPPro).
Runner with forced synchronisation for 100% reliable function (Synchronomatic).

Pull-out travel: 470 mm

Clear inside depth: ≥ 500 mm

Permissible load on the pull-out fitting:

System weight + contents = max. 130 kg
(depends on cabinet design)

Colour code:

Anthracite 9846

Clear inside
height (mm)

002368 9846

1.800-1.899

002369 9846

1.900-1.999

002370 9846

2.000-2.099

002371 9846

2.100-2.199

Standard with

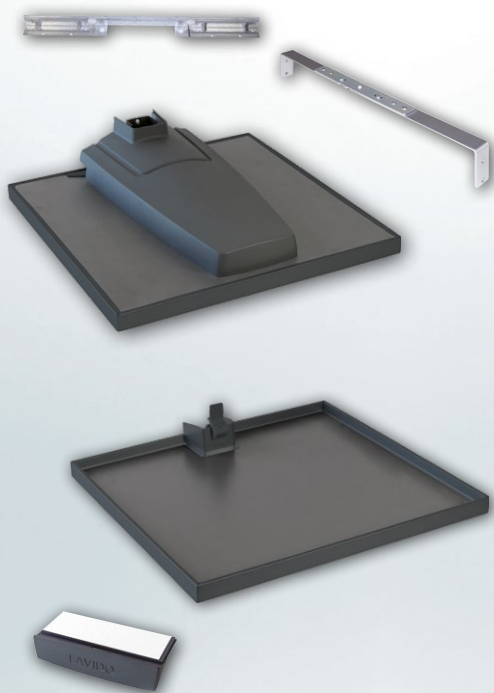


Support post

CONVOY Lavido

Colour code:

Anthracite 9846



For cabinet
width:
600 mm

280618 9846

280618 0005

ARENAplus

Anti-slip coating

ARENA select tray set CONVOY Lavido

Set of 5 – consisting of:

1 tray with integrated top runner

4 trays, height-adjustable

1 support bracket

1 fixing brace

1 handle

Additional items required for a complete installation (order separately):

1 pull-out fitting

1 support post height as calculated

ARENAplus

Anti-slip coating

For cabinet
width:

280619 9846

600 mm

280619 0005

Replacement tray CONVOY Lavido

Colour code:

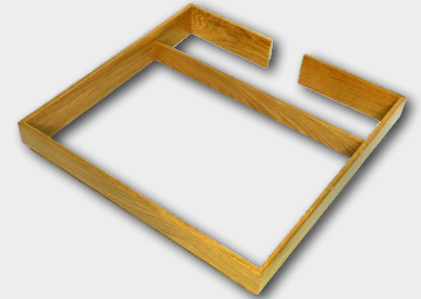
Anthracite 9846

Chromee 0005

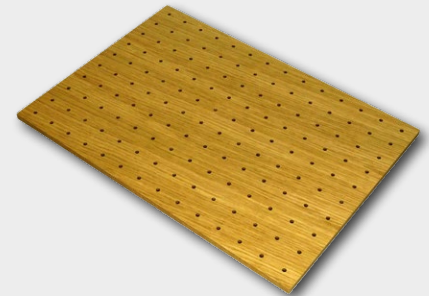
	Dimensions (mm)	Item no.
Tray with grip holes For top ARENA select tray	WxDxH 550 x 470 x 70	009175 0369
Colour code: Oak natural 0369		



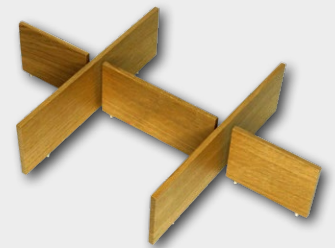
Open frame without base panel (Your choice of inserts)	WxDxH 550 x 470 x 66	850077 0369
Colour code: Oak natural 0369		



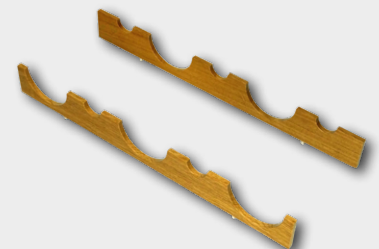
Perforated panel insert	WxDxH 525 x 324 x 9	009178 0369
Colour code: Oak natural 0369		



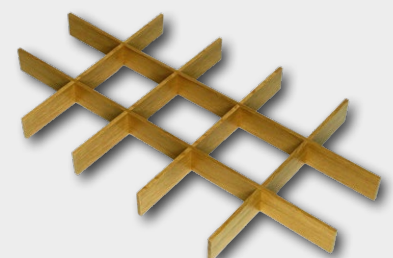
Cross divider set for perforated panel (Order the perforated panel separately)	WxDxH 2 St. 324 x 8 x 90 1 St. 190 x 8 x 90 2 St. 126 x 8 x 90	009180 0369
Colour code: Oak natural 0369		



Bottle rack for perforated panel Holds 5 bottles (Order the perforated panel separately)	WxDxH 525 x 8 x 50	009182 0369
Colour code: Oak natural 0369		



Cross divider set Compartment size: 100 x 104 mm	WxDxH 525 x 324 x 42	009184 0369
Colour code: Oak natural 0369		





Item no. Dimensions (mm)

850088 9885 WxDxH
525 x 324 x 3

Felt mat

Colour code:
Black 9885



850079 0369 WxDxH
174.5 x 324 x 45

Plate rack 1/3

Colour code:
Oak natural 0369



009189 0369 WxDxH
174.5 x 324 x 90

Box 1/3 with grip holes

Colour code:
Oak natural 0369



009191 0369 WxDxH
174.5 x 324 x 45

Cross divider 1/3

for 6 compartments
Compartment size: 104 x 84 mm

Colour code:
Oak natural 0369



850087 9885 WxDxH
174.5 x 324 x 3

Felt mat 1/3

Colour code:
Black 9885



Item no.

002410 9846

Standard with



CONVOY Premio pull-outs

With premounted cover, integrated damping for closing and opening (SoftSTOPPro). Runner with forced synchronisation for 100% reliable function (Synchronomatic).

Pull-out travel: 470 mm
Clear inside depth: ≥ 500 mm
Permissible load on the pull-out fitting:
System weight + contents = max. 130 kg
(depends on cabinet design)

Colour code:
Anthracite 9846

Clear inside height (mm)

002368 9846	1.800-1.899
002369 9846	1.900-1.999
002370 9846	2.000-2.099
002371 9846	2.100-2.199

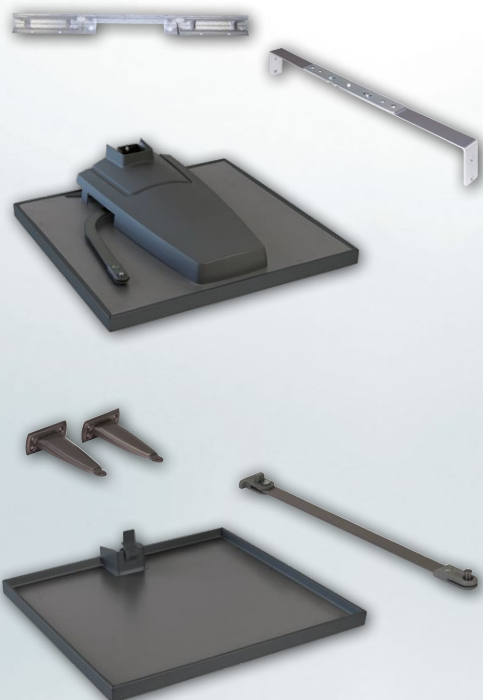
Standard with



Support post

CONVOY Premio

Colour code:
Anthracite 9846



For cabinet width:
600 mm

280622 9846
280622 0005
280623 9846
280623 0005

ARENAplus
Anti-slip coating

ARENAplus
Anti-slip coating

Door catch right
left

280624 9846
280624 0005

For cabinet width:
600 mm

ARENA select tray set CONVOY Premio

Set of 5 – consisting of:

- 1 tray with integrated top runner and control lever
- 4 trays, height-adjustable
- 1 support bracket
- 1 fixing brace
- 2 front connectors
- 1 control lever bottom

Additional items required for a complete installation (order separately):

- 1 pull-out fitting
- 1 support post height as calculated

Replacement tray CONVOY Premio

Colour code:
Anthracite 9846
Chromeee 0005

Tray with grip holes
 For top ARENA select tray

Dimensions (mm) **Item no.**

WxDxH
 480 x 470 x 70 **009176 0369**

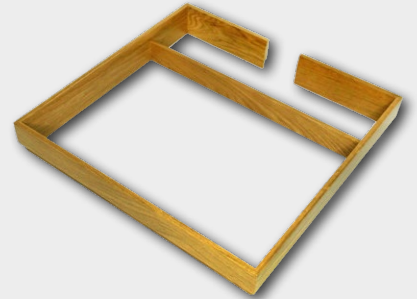
Colour code:
 Oak natural 0369



Open frame without base panel
 (Your choice of inserts)

WxDxH
 480 x 470 x 66 **009177 0369**

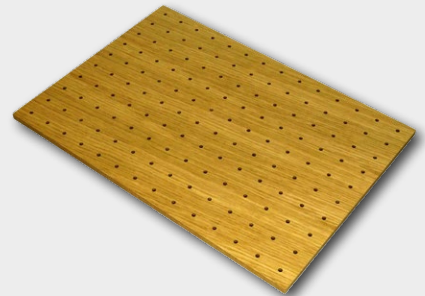
Colour code:
 Oak natural 0369



Perforated panel insert

WxDxH
 455 x 324 x 9 **009179 0369**

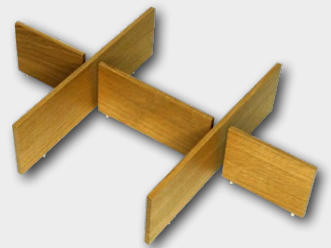
Colour code:
 Oak natural 0369



Cross divider set for perforated panel
 (Order the perforated panel separately)

WxDxH
 2 St. 324 x 8 x 90 **009181 0369**
 3 St. 126 x 8 x 90

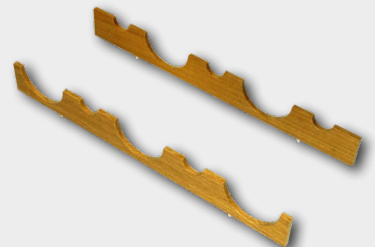
Colour code:
 Oak natural 0369



Bottle rack for perforated panel
 Holds 5 bottles
 (Order the perforated panel separately)

WxDxH
 455 x 8 x 50 **009183 0369**

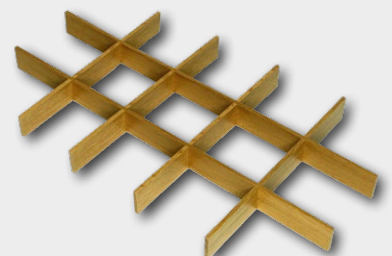
Colour code:
 Oak natural 0369



Cross divider set
 Compartment size: 100 x 104 mm

WxDxH
 455 x 324 x 42 **009185 0369**

Colour code:
 Oak natural 0369





Item no. Dimensions (mm)

009186 9885 WxDxH
455 x 324 x 3

Felt mat

Colour code:
Black 9885



009188 0369 WxDxH
151 x 324 x 45

Plate rack 1/3

Colour code:
Oak natural 0369



009190 0369 WxDxH
151 x 324 x 90

Box 1/3 with grip holes

Colour code:
Oak natural 0369

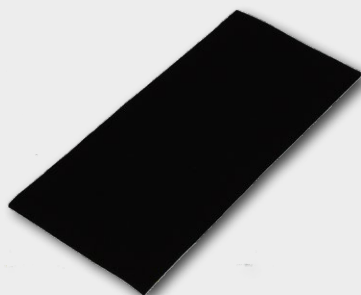


009192 0369 WxDxH
151 x 324 x 45

Cross divider 1/3

for 6 compartments
Compartment size: 104 x 84 mm

Colour code:
Oak natural 0369



009187 9885 WxDxH
151 x 324 x 3

Felt mat 1/3

Colour code:
Black 9885



SPACE FLEXX

THE FLEXIBLE ORGANISATION SYSTEM
FOR STORAGE CONTAINERS AND MORE

 KESSEBÖHMER



Technical Support

Short-URL:
<https://kbgo.to/supe>



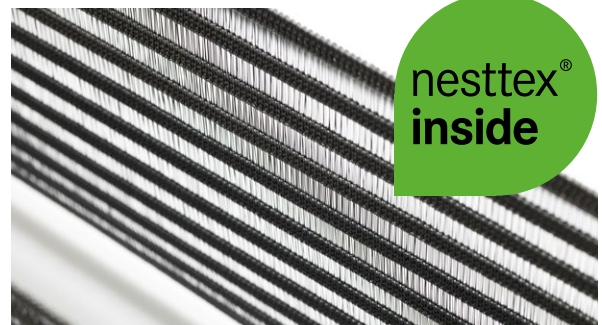
Product Information

Short-URL:
<https://kbgo.to/spfe>



GOODBYE CHAOS! Made possible by the new flexible and elastic divider, nesttex®: chaos in the drawer is a thing of the past!
Never again disorganised storage containers and lots more!

- nesttex®, the flexible divider adjusts itself to the stored goods.
- No more tipping over or falling out.
- Find and reach whatever you need, straight away.
- Optimum overview thanks to transparent viewing zones in the nesttex®.



Only original with nesttex® inside!

The nesttex® divider is based on a special high-tech textile and is made in Germany. nesttex® dividers are, of course, machine washable.





FLEXIBLE. It doesn't matter if the drawer is 90 cm wide or more (see picture above): SpaceFlexx fits in any drawer with at least 60 cm front panel width (see picture on the right).

SpaceFlexx is impressive with its optimum use of storage space, adjusting itself perfectly to the stored goods and the drawer.



Set SpaceFlexx

consisting of:

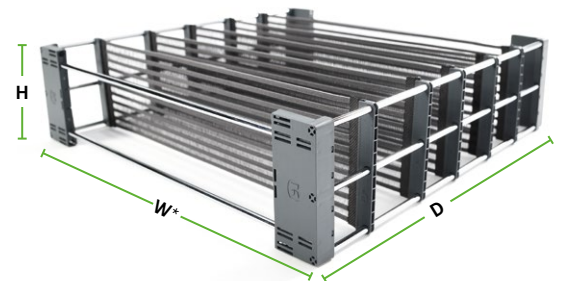
1 frame

5 flexible nestt^{ex}® dividers

Delivery in attractive PoS packaging.

Languages on the packaging:

	WxDxH	Item no.
DE, EN, FR, ES, TR	472/520 x 422 x 130	005361 0005
	472/520 x 452 x 130	005364 0005
	472/520 x 472 x 130	005360 0005
	472/520 x 522 x 130	005362 0005
DE, EN, PL, CZ, RU	472/520 x 452 x 130	005365 0005



*Space Flexx has a width setting of 472 or 520 mm for optimum adjustment to the drawer.

YOUBOXX

DISPENSA FAMILY · DISPENSA junior III COMFORT II

 KESSEBÖHMER

	Set 1	Set 2	Set 3	Set 4	Set 5	Set 6	Set 7
COMFORT II	≥200		≥200			≥200	
DISPENSA junior III	≥300	300	≥300	300	≥300	≥300	≥300
Supply cabinet pull-out	≥200		≥200			≥200	
DISPENSA 90°	≥300		≥300			≥300	
DISPENSA swing	≥300		≥300			≥300	



Technical Support

Short-URL:
<https://kbgo.to/supe>



Product Information

Short-URL:
<https://kbgo.to/vrbe>

Youboxx Set 1

Consisting of:
 2 boxes (1.0 l)
 1 box (2.1 l)
 2 boxes (2.0 l)
 1 slotted knife block
 2 lids
 2 traverse rails

Dimensions (mm)

Item no.

00 5273

WxDxH
 115 x 150 x 95
 115 x 300 x 95
 115 x 150 x 195

Colour code: (Support rail/Youboxx)
 Silver 0102 (Silver/White)
 Ice white 9966 (White/White)
 Anthracite 9846 (Anthracite/Anthracite)

**Youboxx Set 2**

Consisting of:
 1 box (3.2 l)
 1 dish (1.1 l) with bottle railing
 3 dividers, small
 3 dividers, large
 2 holders

WxDxH
 115 x 450 x 95
 115 x 450 x 35

Colour code: (Support rail/Youboxx)
 Chromee 0005 (Chromee/White)
 Silver 0102 (Silver/White)
 Anthracite 9846 (Anthracite/Anthracite)

00 5274**Youboxx Set 3**

Consisting of:
 2 boxes (1.0 l)
 2 boxes (2.1 l)
 2 lids
 1 divider, large
 2 traverse rails

WxDxH
 115 x 150 x 95
 115 x 300 x 95

Colour code: (Support rail/Youboxx)
 Silver 0102 (Silver/White)
 Ice white 9966 (White/White)
 Anthracite 9846 (Anthracite/Anthracite)

00 5275**Youboxx Set 4**

Consisting of:
 2 boxes (3.2 l)
 3 dividers, large
 2 holders

WxDxH
 115 x 450 x 95

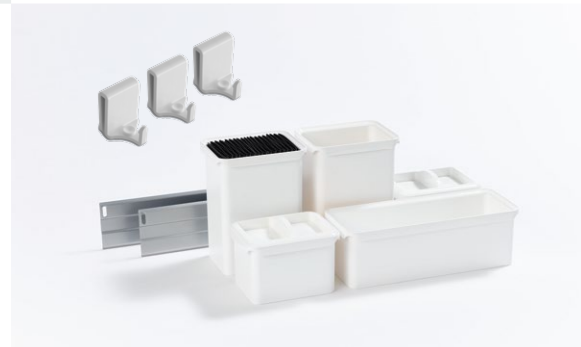
Colour code: (Support rail/Youboxx)
 Porcelain white 9856 (White/White)
 Anthracite 7500 (Anthracite/Anthracite)

00 5276**Youboxx Set 5**

Consisting of:
 1 chopping board holder
 2 boxes (1.0 l)
 1 box (2.1 l)
 2 boxes (2.0 l)
 1 slotted knife block
 2 lids
 2 traverse rails

WxDxH
 115 x 150 x 95
 115 x 300 x 95
 115 x 150 x 195

Colour code: (Support rail/Youboxx)
 Silver 0102 (Silver/White)
 Ice white 9966 (White/White)
 Anthracite 9846 (Anthracite/Anthracite)

00 5277**Youboxx-Set 6**

consisting of:
 1 box (1.0 L)
 2 boxes (2.0 L)
 1 box (2.0 L)
 2 Dividers, large
 2 Support rails

WxDxH
 115 x 150 x 95
 115 x 300 x 95
 115 x 150 x 195

Colour code: (Support rail/Youboxx)
 Ice white 9966 (White/White)

23 4710**Extra set, chopping board holder (Set 7)**

consisting of:
 1 Support rail
 3 Functional hooks (chopping board holder)

WxDxH
 115 x 450 x 95

Colour code: (Support rail/Youboxx)
 Silver 0102 (Silver/White)
 Anthracite 9846 (Anthracite/Anthracite)

23 4831

Can only be used
 with Set 1 or 3!





Item no. For cabinet width:

00 5275 300 mm

Youboxx-Set 3 in DISPENSA 90°

- consisting of:
- 2 Boxes (1.0 L)
 - 2 Boxes (2.1 L)
 - 2 Lids
 - 1 Divider, large
 - 2 Support rails

Colour code: (Support rail/Youboxx)
Silver 0102 (Silver/White)



00 5274 300 mm

Youboxx-Set 2 and Set 5 in DISPENSA junior III

- consisting of:
- 1 Box (3.2 L)
 - 1 Dish (1.1 L) with steel railing
 - 3 Dividers, small
 - 3 Dividers, large
 - 2 Brackets

Colour code: (Support rail/Youboxx)
Chrome 0005 (Chrome/White)

00 5277

- 2 Boxes (1.0 L)
- 1 Box (2.1 L)
- 2 Boxes (2.0 L)
- 1 Einteilung für Messer
- 2 Lids
- 3 Support rails
- 3 Functional hooks (chopping board holder)

Colour code: (Support rail/Youboxx)
Silver 0102 (Silver/White)



00 5275 200 mm

Youboxx-Set 3 in COMFORT II

- consisting of:
- 2 Boxes (1.0 L)
 - 2 Boxes (2.1 L)
 - 2 Lids
 - 1 Divider, large
 - 2 Support rails

Colour code: (Support rail/Youboxx)
Silver 0102 (Silver/White)

YOUBOXX

TANDEM side

KESSEBÖHMER

Schrankbreite
450 mm

Cabinet width
500 mm

Cabinet width
600 mm





	For cabinet width:	Item no.
TANDEM side Youbox_x set 1		
consisting of:	450 mm	261109 0102
1 box (2.1 L)		261109 9966
1 divider		261109 9846
1 support rail		
Farbnummer:		
Silver	0102 (support rail Silver/Youbox _x white)	
Ice white	9966 (support rail white/Youbox _x white)	
Anthracite	9846 (support rail Anthracite/Youbox _x Anthracite)	



	For cabinet width:	Item no.
TANDEM side Youbox_x set 2		
consisting of:	500 mm	261110 0102
1 box (2.1 L)		261110 9966
1 divider		261110 9846
1 support rail		
Colour code:		
Silver	0102 (support rail Silver/Youbox _x white)	
Ice white	9966 (support rail white/Youbox _x white)	
Anthracite	9846 (support rail Anthracite/Youbox _x Anthracite)	



	For cabinet width:	Item no.
TANDEM side Youbox_x set 3		
consisting of:	600 mm	261111 0102
1 box (3.2 L)		261111 9966
2 divider		261111 9846
1 support rail		
Colour code:		
Silver	0102 (support rail Silver/Youbox _x white)	
Ice white	9966 (support rail white/Youbox _x white)	
Anthracite	9846 (support rail Anthracite/Youbox _x Anthracite)	



	For cabinet width:	Item no.
TANDEM side Youbox_x set 4		
consisting of:	450 mm	261112 0102
2 boxes (1.0 L)		261112 9966
2 lids		261112 9846
1 support rail		
Colour code:		
Silver	0102 (support rail Silver/Youbox _x white)	
Ice white	9966 (support rail white/Youbox _x white)	
Anthracite	9846 (support rail Anthracite/Youbox _x Anthracite)	



	For cabinet width:	Item no.
TANDEM side Youbox_x set 5		
consisting of:	500 mm	261113 0102
2 box (1.0 L)		261113 9966
2 lids		261113 9846
1 support rail		
Colour code:		
Silver	0102 (support rail Silver/Youbox _x white)	
Ice white	9966 (support rail white/Youbox _x white)	
Anthracite	9846 (support rail Anthracite/Youbox _x Anthracite)	





Item no. For cabinet width:

261114 0102 600 mm
261114 9966
261114 9846

TANDEM side Youbox_x set 6

consisting of:
3 boxes (1.0 L)
3 lids
1 support rail

Colour code:

Silver	0102	(support rail Silver/Youbox _x white)
Ice white	9966	(support rail white/Youbox _x white)
Anthracite	9846	(support rail Anthracite/Youbox _x Anthracite)



261115 0102 600 mm
261115 9966
261115 9846

TANDEM side Youbox_x set 7

consisting of:
1 box (2.1 L)
1 box (1.0 L)
1 lid
1 divider
1 support rail

Colour code:

Silver	0102	(support rail Silver/Youbox _x white)
Ice white	9966	(support rail white/Youbox _x white)
Anthracite	9846	(support rail Anthracite/Youbox _x Anthracite)



261116 0102 450 mm
261116 9966
261116 9846

TANDEM side Youbox_x set 8

consisting of:
3 hooks
1 support rail

Colour code:

Silver	0102	(support rail Silver/Youbox _x white)
Ice white	9966	(support rail white/Youbox _x white)
Anthracite	9846	(support rail Anthracite/Youbox _x Anthracite)



261117 0102 500 mm
261117 9966
261117 9846

TANDEM side Youbox_x set 9

consisting of:
3 hooks
1 support rail

Colour code:

Silver	0102	(support rail Silver/Youbox _x white)
Ice white	9966	(support rail white/Youbox _x white)
Anthracite	9846	(support rail Anthracite/Youbox _x Anthracite)



261118 0102 600 mm
261118 9966
261118 9846

TANDEM side Youbox_x set 10

consisting of:
4 hooks
1 support rail

Colour code:

Silver	0102	(support rail Silver/Youbox _x white)
Ice white	9966	(support rail white/Youbox _x white)
Anthracite	9846	(support rail Anthracite/Youbox _x Anthracite)

	For cabinet width:	Item no.
TANDEM side Youbox_x set 11		
consisting of:	600 mm	261119 0102
1 box (2.1 L)		261119 9966
1 box (2.0 L)		261119 9846
1 lid		
1 divider		
1 support rail		
Colour code:		
Silver	0102 (support rail Silver/Youbox _x white)	
Ice white	9966 (support rail white/Youbox _x white)	
Anthracite	9846 (support rail Anthracite/Youbox _x Anthracite)	



TANDEM side Youbox_x set 12		
consisting of:	600 mm	261120 0102
1 box (2.0 L)		261120 9966
2 boxes (1.0 L)		261120 9846
3 lids		
1 support rail		
Colour code:		
Silver	0102 (support rail Silver/Youbox _x white)	
Ice white	9966 (support rail white/Youbox _x white)	
Anthracite	9846 (support rail Anthracite/Youbox _x Anthracite)	



TANDEM side Youbox_x set 13		
consisting of:	450 mm	261121 0102
2 boxes (2.0 L)		261121 9966
2 lids		261121 9846
1 support rail		
Colour code:		
Silver	0102 (support rail Silver/Youbox _x white)	
Ice white	9966 (support rail white/Youbox _x white)	
Anthracite	9846 (support rail Anthracite/Youbox _x Anthracite)	



TANDEM side Youbox_x set 14		
consisting of:	500 mm	261122 0102
2 boxes (2.0 L)		261122 9966
2 lids		261122 9846
1 support rail		
Colour code:		
Silver	0102 (support rail Silver/Youbox _x white)	
Ice white	9966 (support rail white/Youbox _x white)	
Anthracite	9846 (support rail Anthracite/Youbox _x Anthracite)	



TANDEM side Youbox_x set 15		
consisting of:	600 mm	235493 0102
1 box (2.0 L)		235493 9966
1 box (2.1 L)		235493 9846
3 lids		
1 divider		
1 support rail		
Colour code:		
Silver	0102 (support rail Silver/Youbox _x white)	
Ice white	9966 (support rail white/Youbox _x white)	
Anthracite	9846 (support rail Anthracite/Youbox _x Anthracite)	



DEPOTLINE

Storage container set & food dish set

KESSEBÖHMER



Storage container set

consisting of:

1 Support element

4 transparent storage containers (1.2 L)

with grey lids

Colour code:

Silver 0102

Item no.

00 4391



Storage dish set

consisting of:

1 Support element

2 transparent, open food dishes

1 transparent insertable divider

Colour code:

Silver 0102

00 4392



Depotline in DISPENSA 90°

1 Storage container set

1 Storage dish set

Colour code:

Silver 0102

Cabinet width:

300 mm

00 4391

00 4392



Depotline in DISPENSA junior III

1 Storage container set

1 Storage dish set

Colour code:

Silver 0102

300 mm

00 4391

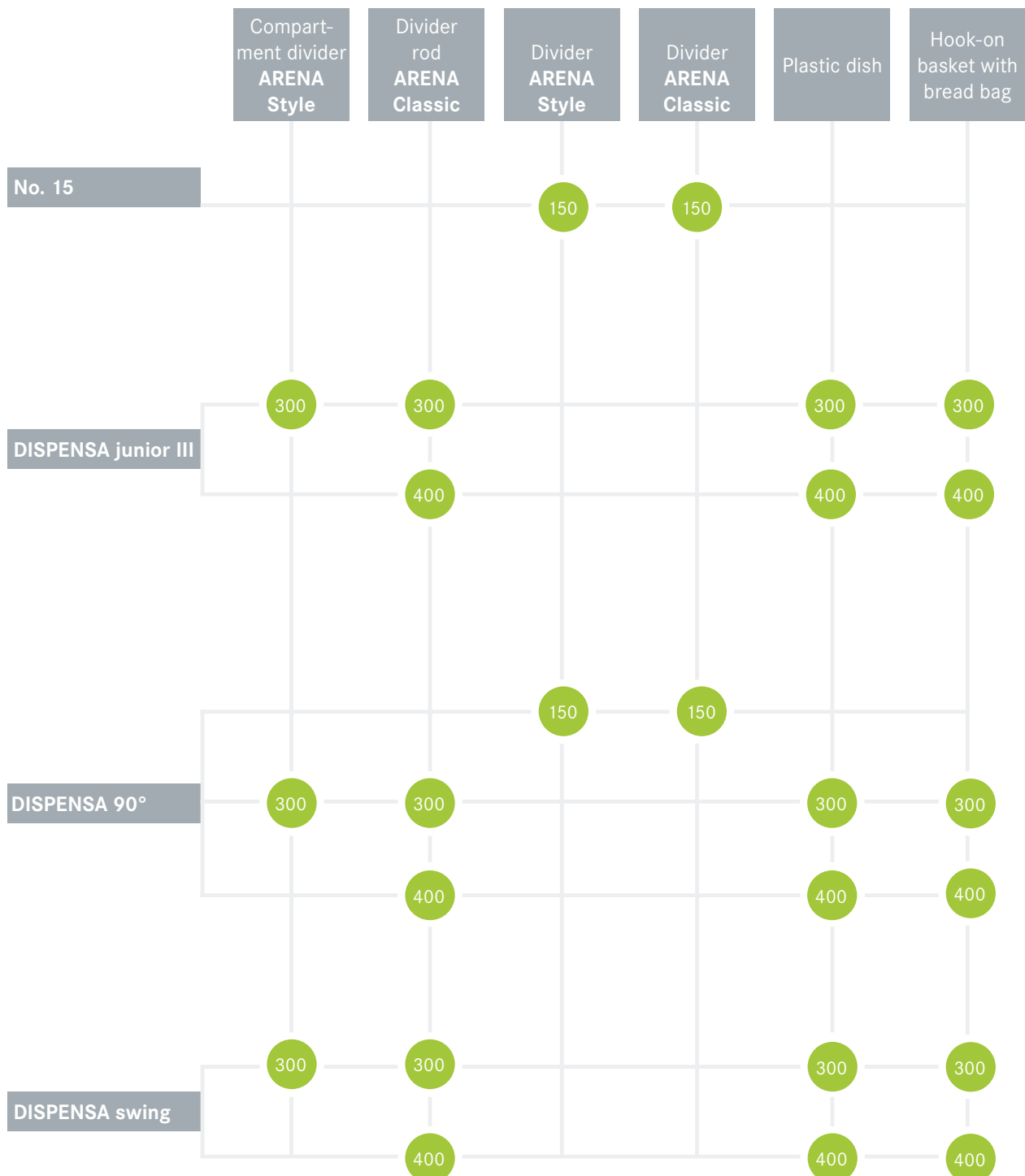
00 4392



COMPARTMENT DIVIDERS & CLIP-IN BASKETS

Divide in great style

KESSEBÖHMNER



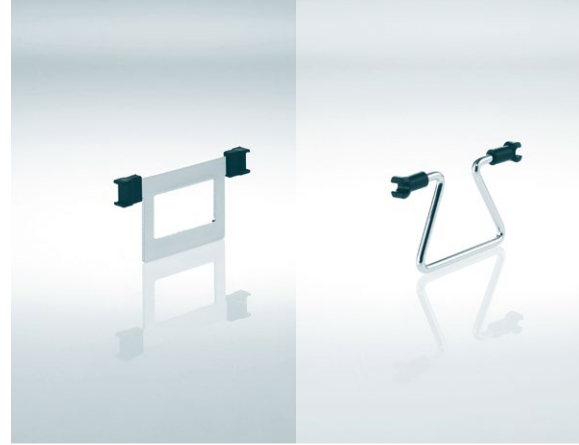
Item no.

ARENA Style divider (see left)

for 15 mm base unit pull-out

Colour code:
Chrom 0005
Anthrazit 9846

26 0601



ARENA Classic divider (see right)

Colour code:
Chrom 0005
Silver 0102

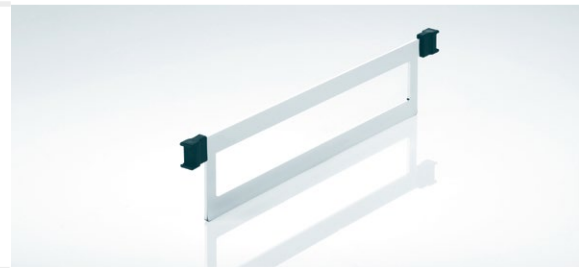
26 0600

Divider for ARENA Style

for cabinet width 300 mm

Colour code:
Chrom 0005
Anthrazit 9846

05 4355



Divider for ARENA Classic

for cabinet width:

300 mm

400 mm

Colour code:
Chrome 0005
Silver 0102

00 4355 00 4356



Metal hook-on basket with bread bag

for cabinet width

300 mm

250 x 462 x 106

00 1968

Colour code:
Chrome 0005



Plastic dish

to insert in metal hook-on basket

for cabinet width:

300 mm

238 x 450 x 12

00 4361

400 mm

338 x 450 x 12

00 4362

Colour code:
White 9010
Anthracite 7500



**Metal hook-on basket with bread bag
in DISPENSA junior III**

For cabinet width:

00 1968

300 mm

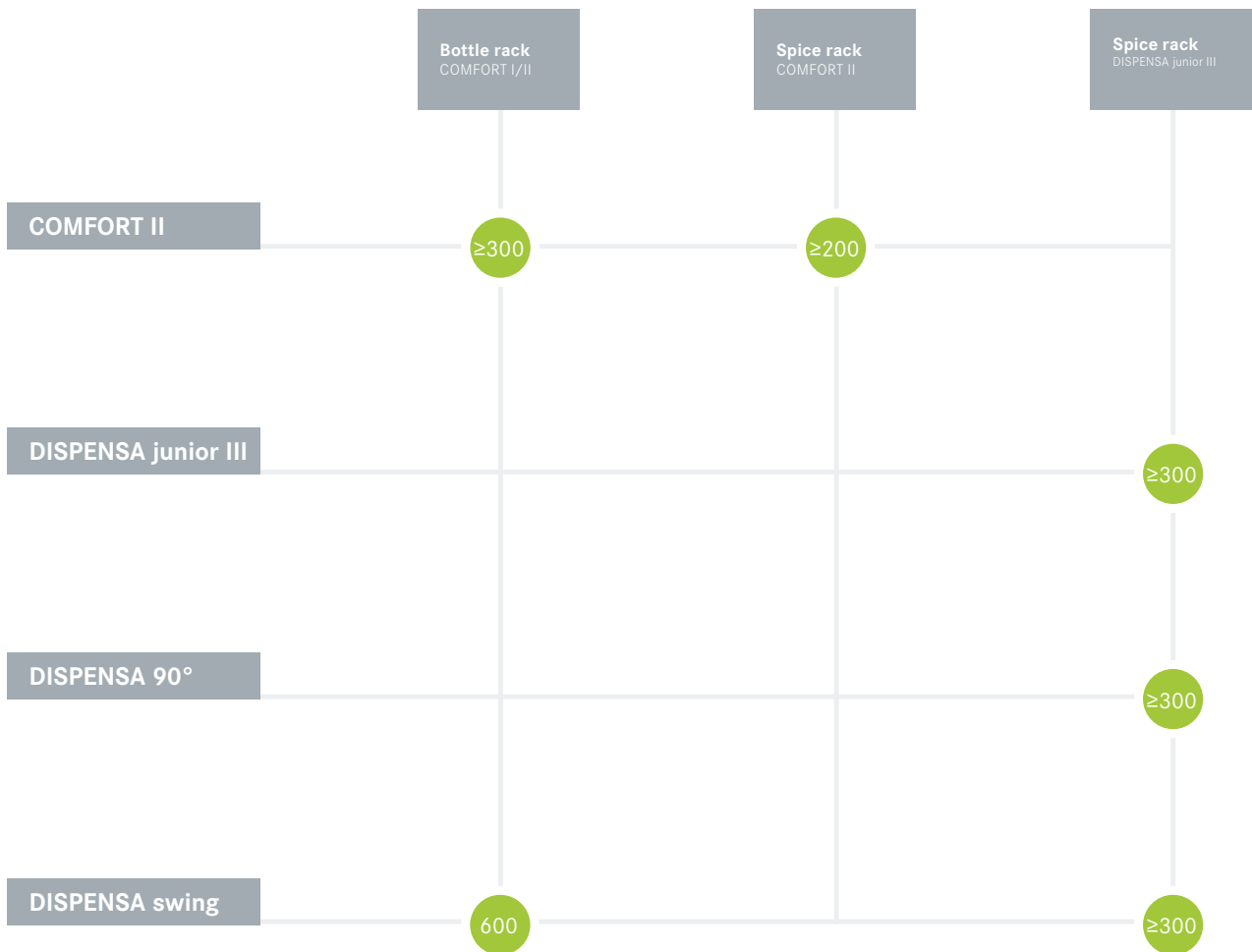
Colour code:
Chrome 0005



BOTTLE RACKS & SPICE RACKS

Infinite storage space for bottles and spices

KESSEBÖHMER



2 Spice racks in DISPENSA junior III

Colour code:
Silver 0102

For cabinet
width

300 mm

Item no.

01 5277



**2 Spice racks in
DISPENSA 90°**

Colour code:
Silver 0102

300 mm

01 5277





Item no. Dimension (mm)
W x D x H

01 5277 479 x 133 x 76 **Spice rack for COMFORT II**
with GRASS Nova Pro Rail
(cannot be used with Hettich Actro)

Storage area:
476 x 103

Colour code:
Silver 0102
Anthracite 9846
Ice white 9966

23 5227 466 x 85 x 34 **Spice rack for DISPENSA junior III**

Storage area:
462 x 79

Colour code:
Silver 0102
Anthracite 9846
Ice white 9966



For cabinet
width:

01 5277 200 mm **1 Spice rack im COMFORT II**





Colour code:
Silver 0102



PUSH-TO-OPEN

Possible applications



	 Type I 272072	 Type II 272073	 Type III 272074	 Magnet 272038
Grey 7035				
Anthracite 7500				
White 9966				
FREEflap	●	●	●	
FREEfold pto	●			
FREEswing pto	●			
FREEslide pto	●			
FREElight				○
Maxi				○
No.15		●		
DISPENSA junior slim			●	
cookingAGENT			●	
COMFORT II		●		
TopFlex		●		
MagicCorner			●	
TANDEM			●	
TANDEM solo	●			
TANDEM side	●			
CONVOY Premio		●		

Please note special instructions on the respective product page!



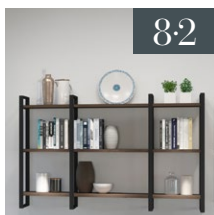
SHELVING UNITS

CONTENTS

 KESSEBÖHMER

YouK

Contemporary design
with fresh transparency



Technical Support

Short-URL:
<https://kbgo.to/supe>



Product Information

Short-URL:
<https://kbgo.to/08e>

18.10.2021





YouK

NEW PERSPECTIVES

 KESSEBÖHMER



Technical Support

Short-URL:
<https://kbgo.to/supe>



Product Information

Short-URL:
<https://kbgo.to/yoke>



YouK

CONTEMPORARY DESIGN WITH FRESH TRANSPARENCY

—  KESSEBÖHMER —

CONTEMPORARY LADDER FRAME DESIGN

YouK reflects on the bare essentials with its simplicity.

SIMPLY COHERENT GRIDS

For more assured planning and installation

SOLID AND RESISTANT

Due to the surface with Teflon content, the solid steel construction always retains as-new appearance.

EXTREMELY EASY ASSEMBLY

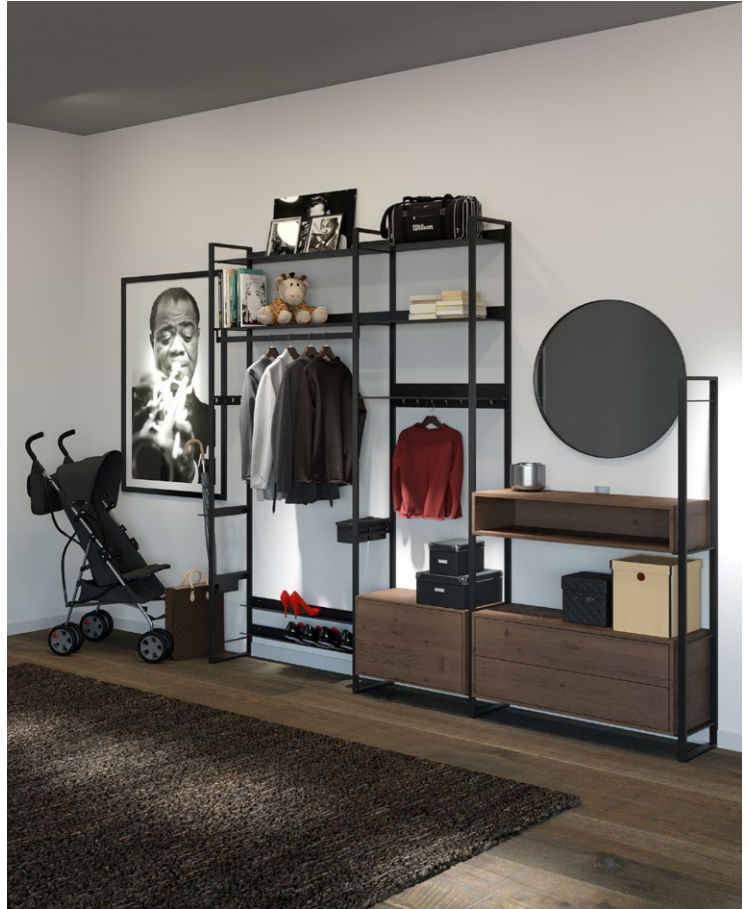
YouK is quickly assembled in just a few steps without any complicated technology.

CAN BE USED IN ANY LIVING SPACE

Ideal due to the variety of additional options.

SUSTAINABLE AND DURABLE

An existing YouK easily expandable over time.



COSINESS IN EVERY LIVING SPACE.

Rooms merge into a modern living space without borders. The industrial style of the flexible but compelling YouK shelving unit suits this well as it adds functional highlights to any area.

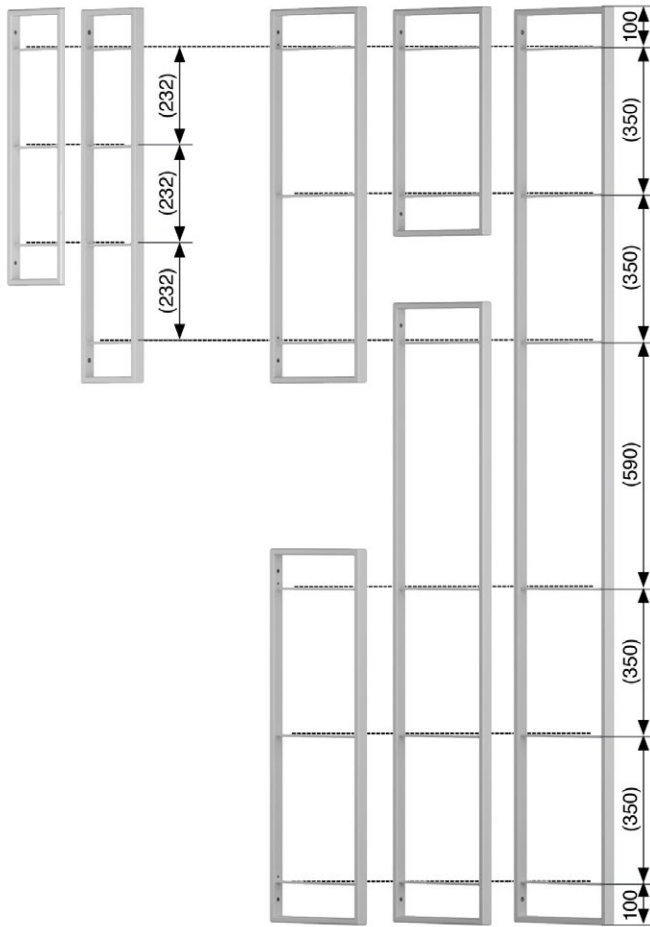
In the kitchen or office, as a wall unit, in the bathroom or as a wardrobe.



YouK ladder depth 200/320 mm

Depth: 200 mm

Depth: 320 mm



Simple fixture to the wall

Simple screw fixture of the shelves

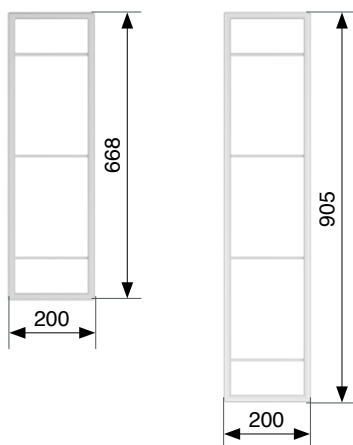
Abrasion-resistant surface



THE VARIOUS GRIDS PROVIDE DIFFERENT HEIGHTS TO PLAY AROUND WITH IN COMBINATION WITH THE CUSTOMER'S CHOICE OF SHELVES (NOT INCLUDED) AND SHELF THICKNESSES.

YouK ladders can be placed on the floor or hung on the wall with screws and various different heights can be combined with each other.

YouK ladder depth 200 mm



YouK ladders

Ladder height (mm)	Depth (mm)	PU piece	Item no. Jet black
668	200	1	236746 9873
905	200	1	236748 9873

YouK functional add-ons for ladder depth 200 mm



Item no.

008536 9873

For ladder depth
200 mm

Hook strip

Colour code:
Jet black 9873



008538 9873

For clear inside
width (between
two ladders)
450 mm

008539 9873

600 mm

008540 9873

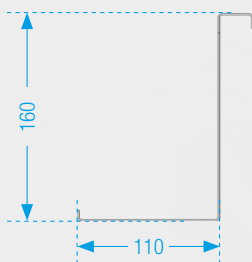
900 mm

008541 9873

1200 mm

Hook strip

Colour code:
Jet black 9873

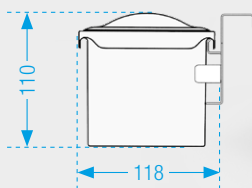


008542 9873

For ladder depth
200 mm

Rack

Colour code:
Jet black 9873



008544 9873

For ladder depth
200 mm

Youboxx Set 1

consisting of:
1 support rail
1 box (1,0 L), colour anthracite
1 lid, colour anthracite

Colour code:
Jet black 9873

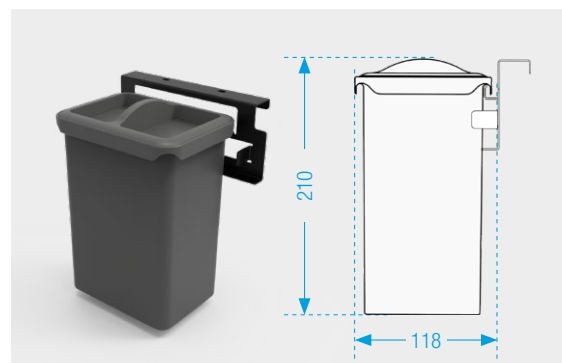
YouK functional add-ons for ladder depth 200 mm

Youboxx Set 2
 consisting of:
 1 support rail
 1 box (2,0 L), colour anthracite
 1 lid, colour anthracite

For ladder depth
 200 mm

Item no. **008545 9873**

Colour code:
 Jet black 9873

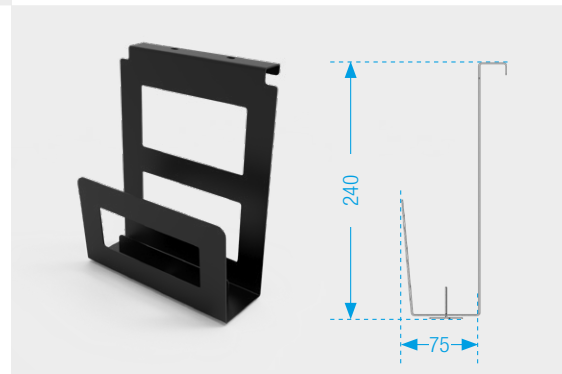


Newspaper/Towel rack set
 consisting of:
 1 rack
 1 divider, removable

For ladder depth
 200 mm

Item no. **008549 9873**

Colour code:
 Jet black 9873

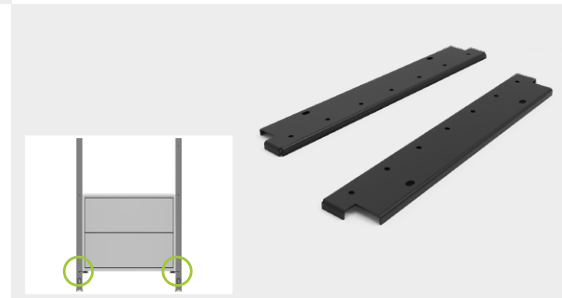


Cabinet bracket
 consisting of:
 2 brackets (external)
 incl. mounting material

For ladder depth
 200 mm

Item no. **008557 9873**

Colour code:
 Jet black 9873

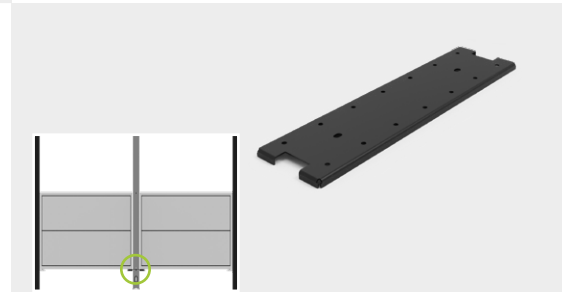


Cabinet bracket-extension
 consisting of:
 1 bracket (central)
 incl. mounting material

For ladder depth
 200 mm

Item no. **008559 9873**

Colour code:
 Jet black 9873



i The cabinet must also be attached to the wall.

i The cabinets must also be attached to the wall.

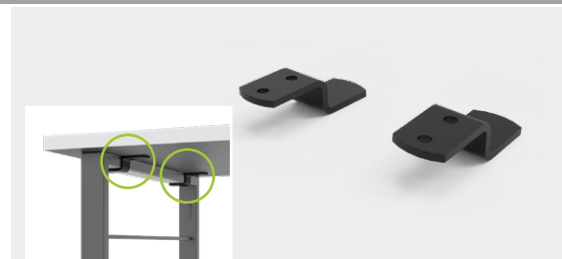
YouK functional add-ons for any depth

Top panel bracket
 consisting of:
 2 brackets

For YouK frame
 profile
 30 x 15 mm

Item no. **008552 9873**

Colour code:
 Jet black 9873



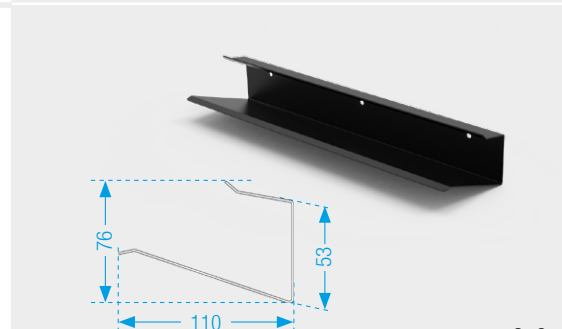
Shoe rack

For clear inside
 width (between
 two ladders)
 450 mm / 2*
 600 mm / 3*
 900 mm / 4*
 1200 mm / 5*

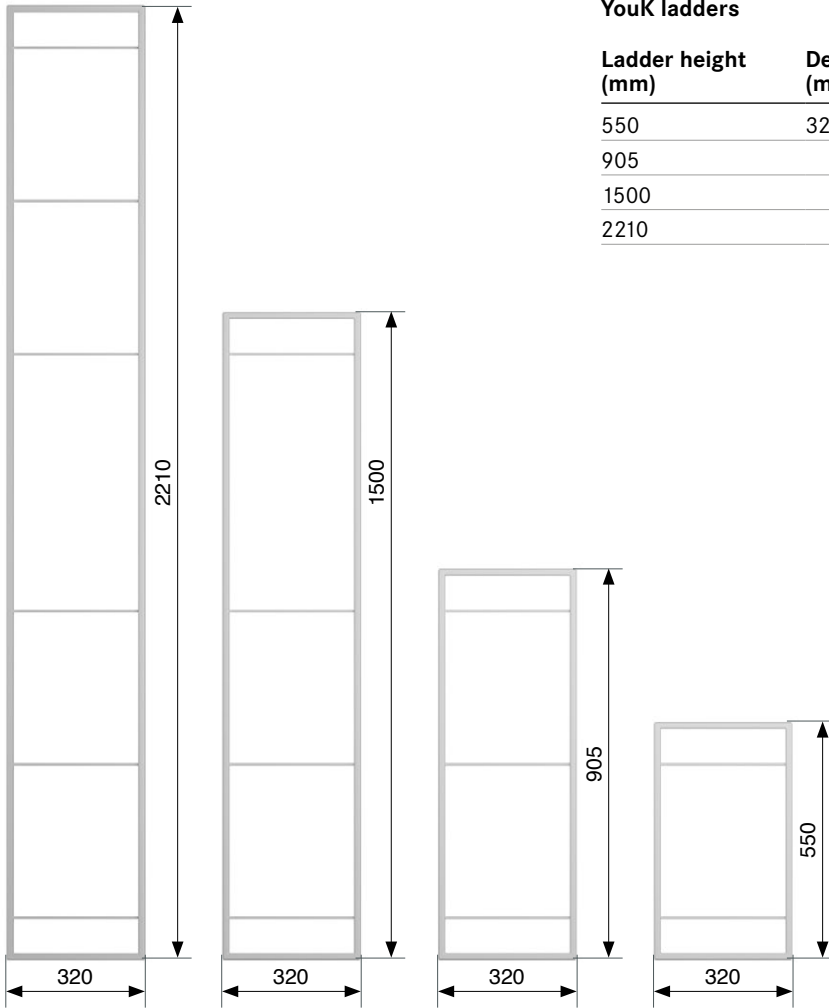
Item no. **008553 9873**
008554 9873
008555 9873
008556 9873

* = pairs of shoes

Colour code:
 Jet black 9873

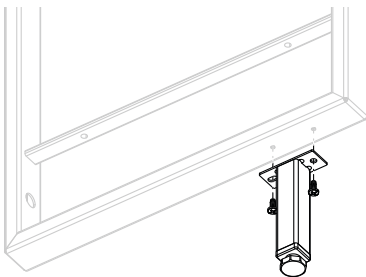


YouK ladder depth 320 mm



YouK ladders

Ladder height (mm)	Depth (mm)	PU piece	Item no. Jet black
550	320	1	236750 9873
905		1	236754 9873
1500		1	236758 9873
2210		1	236762 9873



Adjustable foot

Foot height (mm)	PU piece	Item no. Jet black
100	1	237023 9873
150	1	237333 9873

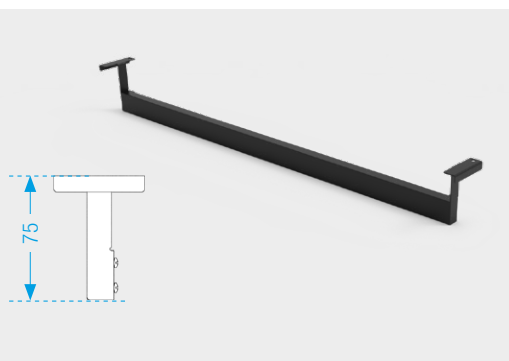
For ladder depth 320 mm

YouK functional add-ons for ladder 320 mm



YouK functional add-ons for ladder 320 mm

Item no.

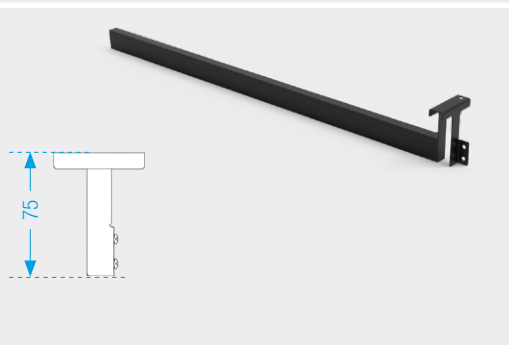


For clear inside width (between two ladders)

008530 9873 600 mm
008531 9873 900 mm
008532 9873 1200 mm

Clothes rail set, pre-assembled consisting of:
 1 Clothes rail
 2 outer connections

Colour code:
 Jet black 9873



For clear inside width (between two ladders)

008533 9873 600 mm
008534 9873 900 mm
008535 9873 1200 mm

Clothes rail extension set, pre-assembled consisting of:
 1 Clothes rail
 1 central connections

Colour code:
 Jet black 9873



For ladder depth 320 mm

008537 9873

Hook strip

Colour code:
 Jet black 9873

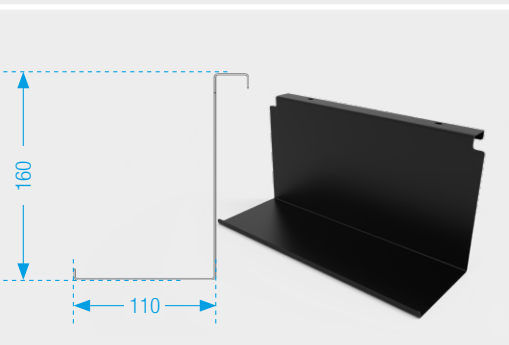


For clear inside width (between two ladders)

008538 9873 450 mm
008539 9873 600 mm
008540 9873 900 mm
008541 9873 1200 mm

Hook strip

Colour code:
 Jet black 9873

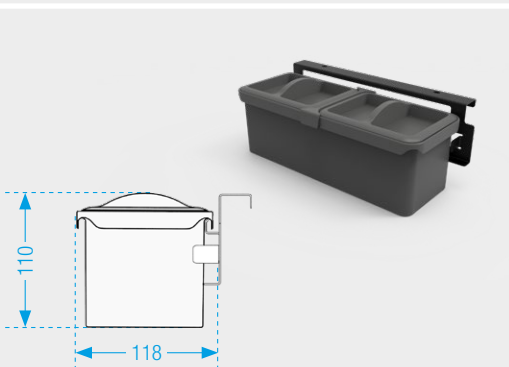


For ladder depth 320 mm

008543 9873

Rack

Colour code:
 Jet black 9873



For ladder depth 320 mm

008546 9873

Youboxx Set 3 consisting of:
 1 support rail
 1 box (2,1 L), colour anthracite
 2 lid, colour anthracite
 1 divider, colour anthracite

Colour code:
 Jet black 9873

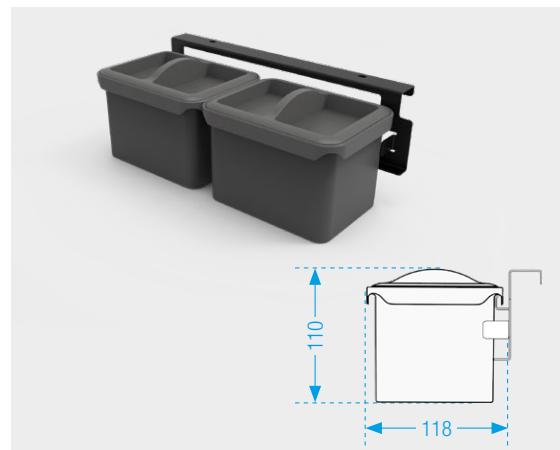
YouK functional add-ons for ladder 320 mm

Youboxx Set 4
 consisting of:
 1 support rail
 2 boxes (1,0 L), colour anthracite
 2 lid, colour anthracite

For ladder depth
 320 mm

Item no. **008547 9873**

Colour code:
 Jet black 9873

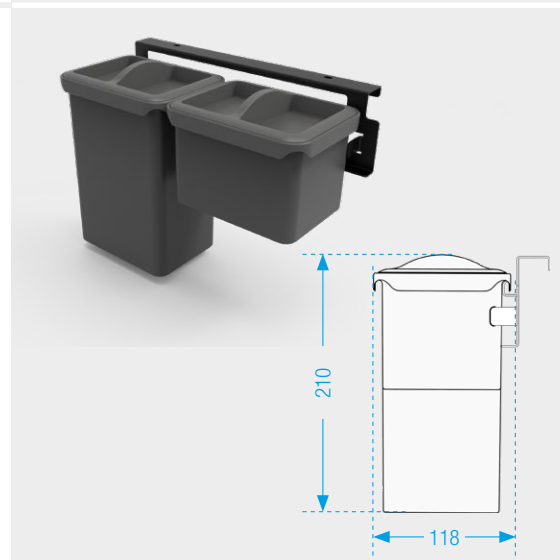


Youboxx Set 5
 consisting of:
 1 support rail
 1 box (2,0 L), colour anthracite
 1 box (1,0 L), colour anthracite
 2 lid, colour anthracite

For ladder depth
 320 mm

Item no. **008548 9873**

Colour code:
 Jet black 9873

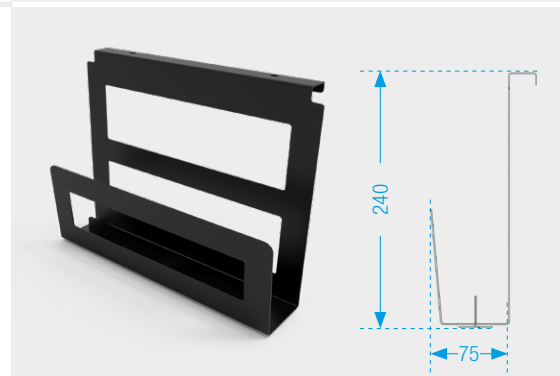


Newspaper/towel rack set
 consisting of:
 1 rack
 1 divider, removable

For ladder depth
 320 mm

Item no. **008550 9873**

Colour code:
 Jet black 9873

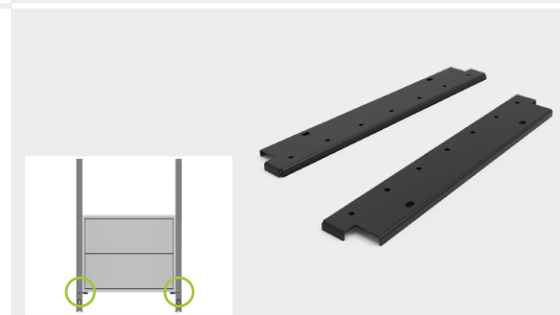


Cabinet bracket
 consisting of:
 2 brackets (external)
 incl. mounting material

For ladder depth
 320 mm

Item no. **008558 9873**

Colour code:
 Jet black 9873

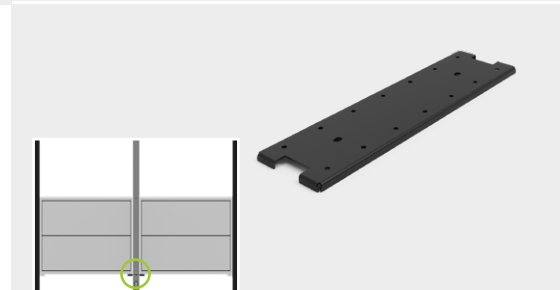


Cabinet bracket-extension
 consisting of:
 1 bracket (central)
 incl. mounting material

For ladder depth
 320 mm

Item no. **008560 9873**

Colour code:
 Jet black 9873



i The cabinet must also be attached to the wall.

i The cabinets must also be attached to the wall.

YouK functional add-ons for ladder 320 mm

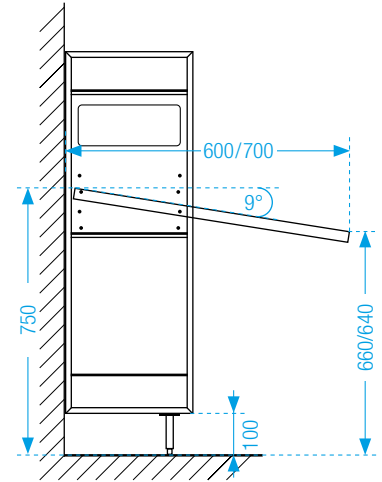
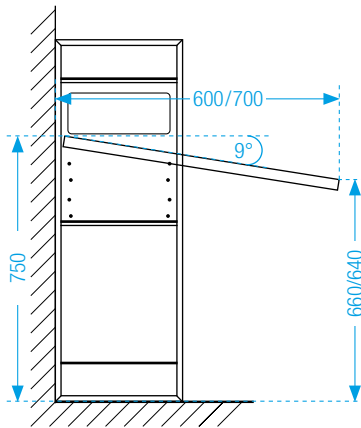
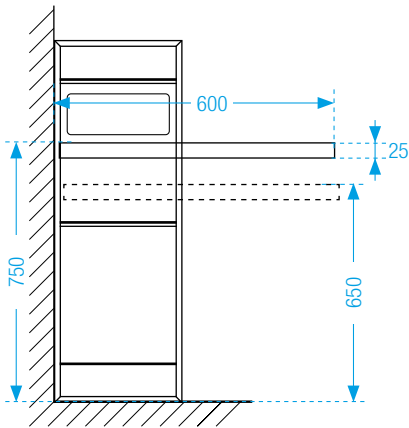
Item no.

008551 9873 For ladder depth
320 mm

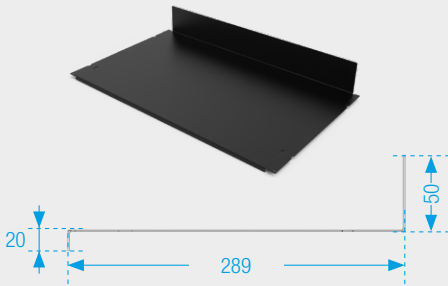
Office solution
consisting of:
2 base brackets
2 shelf supports
2 clamping angles

Colour code:
Jet black 9873

i With this application, it is recommended to mount the ladders standing on the floor, or to equip them with an adjustable foot.



Body height	Seat height	Table height	
1430	380	650	mm
1730	460	750	mm



For clear inside
width (between
two ladders)

Shelf
incl. mounting material

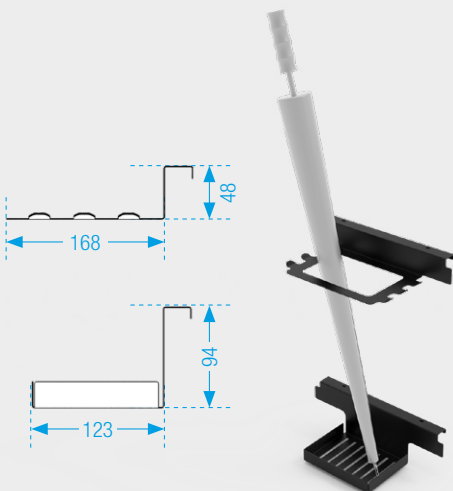
008561 9873 450 mm
008562 9873 600 mm
008563 9873 900 mm
008564 9873 1200 mm

Colour code:
Jet black 9873

008565 9873 For ladder depth
320 mm

Umbrella stand
consisting of:
1 upper bracket
1 tray below
(supplied without umbrella)

Colour code:
Jet black 9873



YouK functional add-ons for any depth

Top panel bracket

consisting of:

2 brackets

Colour code:

Jet black 9873

For YouK frame
profile

30 x 15 mm

008552 9873



Shoe rack

Colour code:

Jet black 9873

For clear inside
width (between
two ladders)

450 mm / 2*

008553 9873

600 mm / 3*

008554 9873

900 mm / 4*

008555 9873

1200 mm / 5*

008556 9873

* = pairs of shoes

